



New Standard Power Transmission

V-pulleys

NSPT series of V-pulleys include CAK, CBK, 3V-5V-8V and AB-C-D types in Finished Bore and Taper bore.

Comprehensive types and various setting bushes are available.



NSPT series of pulleys are made of high quality engineered materials. They are supplied with surface painting or other treatments, all commercial packaged and can be labeled under customers' names.



V-pulleys



F_{ore}^{inished} V-pulleys

SA SB CAK CBK



T_{aper}^{aper} V-pulleys

CAKH CBKH

STL-Bushings



T_{aper}^{aper} V-pulleys

3V 5V 8V

BTL-Bushings

QTL-Bushings

STL-Bushings



T_{aper}^{aper} V-pulleys

AB C D

BTL-Bushings

QTL-Bushings



SA SB steel sheaves

- TYPE 1, TYPE 1A are made of 1045 steel
TYPE 2, TYPE 3 are made of steel plate, weld construction.
- Surface treatment: painting, black phosphating, nitride hardening, zinc plating, etc.
- Finished bore, H7 precision, C/W keyway and set screws.
- Keyway in accordance with USAS. B. 17.1-1967
- Individually packed in carbon boxes.

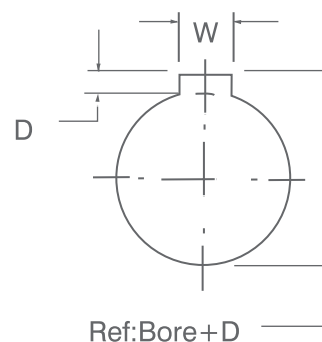
CAK,CBK Cast Iron sheaves

- Made of high quality grey cast iron and then precisely manufactured.
- Finished bore, H7 precision, C/W keyway and set screws.
- Keyway in accordance with USAS. B. 17.1-1967
- Surface treatment: paintings or black phosphating.
- Individually boxed, suitable for commercial sale.
- In-stock item qualified for prompt delivery.



Standard Keyseats

Stock Bores	Keyseats	Stock Bores	Keyseats
1/2	None	1	1/4x1/8
9/16	1/8x1/16	1 1/16	1/4x1/8
5/8	3/16x3/32	1 1/8	1/4x1/8
11/16	3/16x3/32	1 3/16	1/4x1/8
3/4	3/16x3/32	1 1/4	1/4x1/8
13/16	3/16x3/32	1 3/8	1/4x1/8
7/8	3/16x3/32	1 3/8	1/4x1/8
15/16	1/4x1/8	1 7/16	3/8x3/16



ISO STANDARD METHOD FOR MEASURING KEYSEAT DEPTH

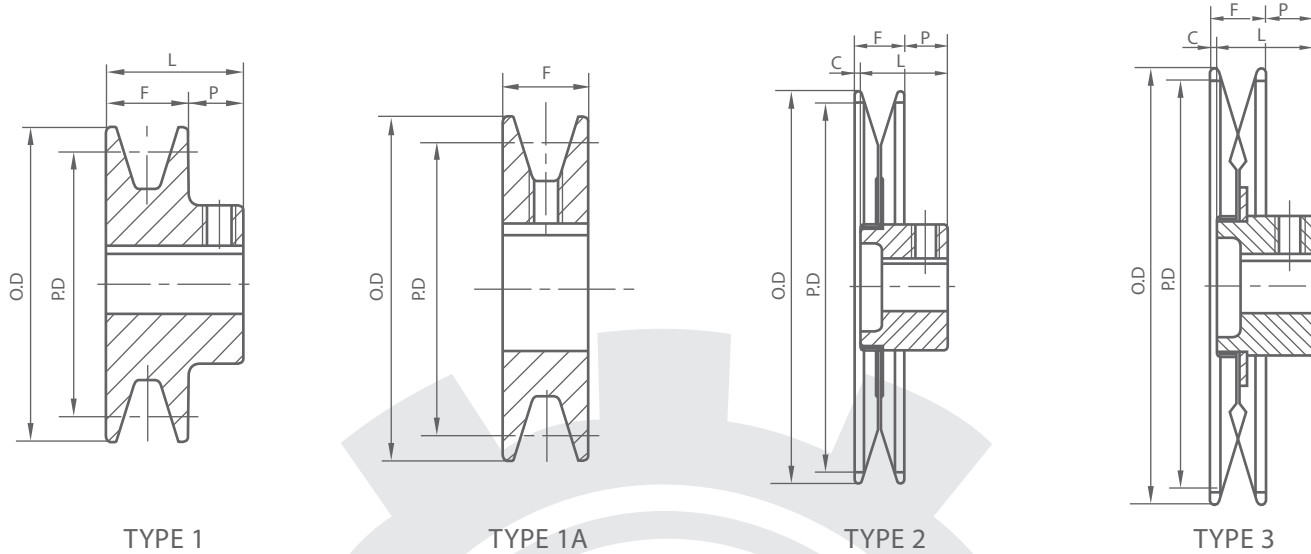
Depth measured at centerline.

Reference:

1 inch=25.4 millimeters

1 millimeter=0.3937 inches.

Steel Sheaves



Single Groove Sheaves for "4L" or "A"

Catalog Number	Diameter		Type	Dimensions											Lbs
	OD	PD A		F	L	P	C	1/2	5/8	3/4	7/8	1"			
SA15	1.50	1.25	1	5/8	11/16	7/16	—	●						0.2	
SA17	1.75	1.50	1	5/8	11/16	7/16	—	●	●	●▲				0.3	
SA20	2.00	1.80	1A	5/8	—	—	—	●	●■	●■				0.3	
SA21	2.10	1.90	1A	5/8	—	—	—	●	●■	●■				0.3	
SA22	2.20	2.00	1A	5/8	—	—	—	●	●	●■				0.4	
SA23	2.30	2.10	1A	5/8	—	—	—	●	●	●				0.4	
SA25	2.50	2.30	1A	5/8	—	—	—	●	●	●	●			0.5	
SA26	2.60	2.40	1A	5/8	—	—	—	●	●	●	●			0.5	
SA27	2.70	2.50	1A	5/8	—	—	—	●	●	●	●			0.6	
SA28	2.80	2.60	1A	5/8	—	—	—	●	●	●	●			0.6	
SA30	3.05	2.80	1A	5/8	—	—	—	●	●	●	●	●		0.8	
SA32	3.25	3.00	1A	5/8	—	—	—	●	●	●	●	●	●	0.9	
SA34	3.45	3.20	1A	5/8	—	—	—	●	●	●	●	●	●	1.0	
SA39	4.04	3.50	2	15/16	13/16	9/16	5/16	●	●	●	●	●	●	0.9	
SA44	4.54	4.00	2	15/16	13/16	9/16	5/16	●	●	●	●	●	●	1.0	
SA49	5.04	4.50	2	15/16	13/16	9/16	5/16	●	●	●	●	●	●	1.1	
SA54	5.43	5.00	2	15/16	13/16	9/16	5/16	●	●	●	●	●	●	1.3	
SA64	6.54	6.00	2	15/16	13/16	9/16	5/16	●	●	●	●	●	●	1.6	
SA74	7.54	7.00	2	15/16	13/16	9/16	5/16	●	●	●	●	●	●	1.8	
*SA84	8.54	8.00	2	15/16	13/16	17/32	9/32	●	●	●	●	●	●	2.6	
*SA94	9.50	9.00	3	15/16	13/16	17/32	9/32	●	●	●	●	●	●	2.9	
*SA104	10.50	10.00	3	15/16	13/16	17/32	9/32	●	●	●	●	●	●	3.4	
*SA114	11.50	11.00	3	15/16	13/16	17/32	9/32	●	●	●	●	●	●	3.8	
*SA124	12.50	12.00	3	15/16	13/16	17/32	9/32	●	●	●	●	●	●	4.5	

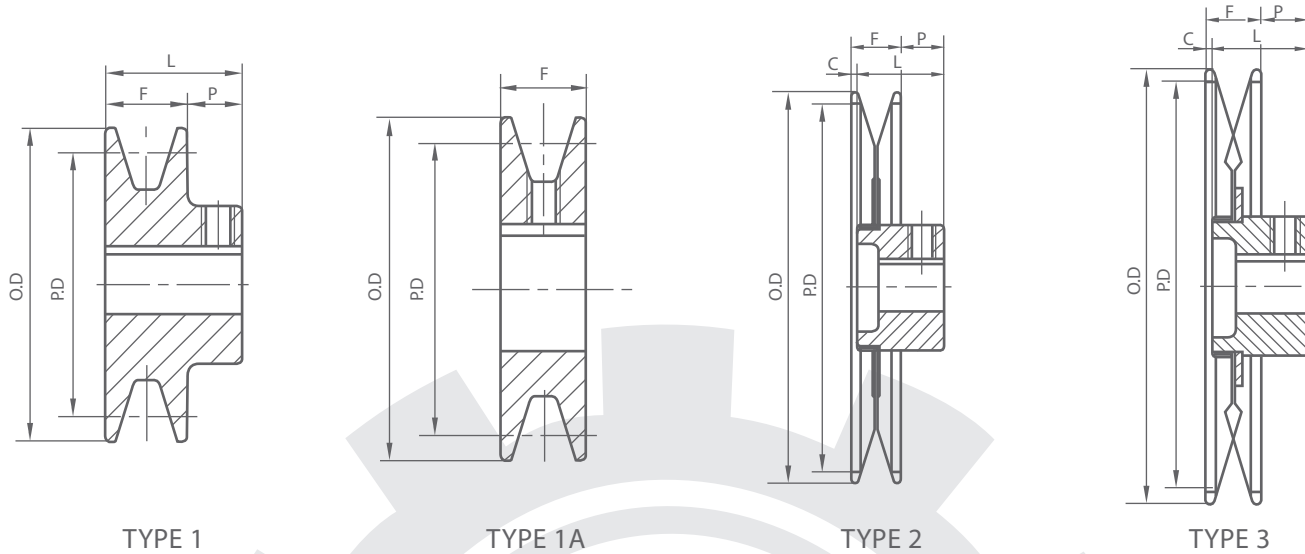
▲NO Keyseat. S■ Screw at 90° to Keyseat. *For 1 1/8" Bores and Larger: L = 1 11/32", P = 7/8".
All stock sizes are furnished with hollow head setscrew and individually packaged.

Table No. 3

Standard Keyseats

Bore Range	Keyseat
3/8 to 1/2	None
3/8 to 7/8	3/16X3/32
15/18 to 1 1/4	1/4X1/8
1 7/8	3/8X3/16

Steel Sheaves



Single Groove Sheaves for "5L" or "B" Belts

Catalog Number	Diameter			Type	Dimensions				Stock Bores							wt Lbs		
	OD	PD A	PD B		F	L	P	C	1/2"	5/8"	3/4"	7/8"	1"	1 1/8"	1 3/8"		1 1/4"	1 7/16"
SB24A	2.40	1.80	2.20	1A	3/4	—	—	—	●									0.4
SB24	2.40	1.80	2.20	1	3/4	13/16	7/16	—		●	●							0.5
SB25A	2.50	1.90	2.30	1A	3/4	—	—	—	●									0.5
SB25	2.50	1.90	2.30	1	3/4	13/16	7/16	—		●	●	●						0.7
SB26A	2.60	2.00	2.40	1A	3/4	—	—	—	●									0.5
SB26	2.60	2.00	2.40	1	3/4	13/16	7/16	—		●	●	●						0.7
SB27A	2.70	2.10	2.50	1A	3/4	—	—	—	●	●								0.6
SB27	2.70	2.10	2.50	1	3/4	13/16	7/16	—		●	●	●						0.8
SB28A	2.96	2.20	2.60	1A	3/4	—	—	—	●	●	●	●						0.8
SB28	2.96	2.20	2.60	1	3/4	13/16	7/16	—		●	●	●	●					0.8
SB30A	3.16	2.40	2.80	1A	3/4	—	—	—	●	●	●	●	●					1.0
SB32A	3.36	2.60	3.00	1A	3/4	—	—	—	●	●	●	●	●					1.1
SB34	3.57	2.80	3.20	2	1 1/16	13/16	7/16	5/16	●	●	●	●	●					0.8
SB36	3.77	3.00	3.40	2	1 1/16	13/16	7/16	5/16	●	●	●	●	●					0.8
SB40	3.97	3.20	3.60	2	1 1/16	13/16	7/16	5/16	●	●	●	●	●					0.9
SB45	4.27	3.50	3.90	2	1 1/16	13/16	7/16	5/16	●	●	●	●	●					1.1
SB50	4.77	4.00	4.40	2	1 1/16	13/16	7/16	5/16	●	●	●	●	●					1.1
SB55	5.27	4.50	4.90	2	1 1/16	13/16	7/16	5/16	●	●	●	●	●					1.3
SB60	5.77	5.00	5.40	2	1 1/16	13/16	7/16	5/16	●	●	●	●	●					1.4
SB70	6.94	6.00	6.40	2	1 1/8	13/16	7/16	3/8	●	●	●	●	●					1.5
SB80	7.94	7.00	7.40	2	1 1/8	13/16	7/16	3/8	●	●	●	●	●				●	2.1
SB90	8.94	8.00	8.40	2	1 1/8	13/16	7/16	3/8		●	●	●	●					2.5
SB100	9.93	9.00	9.40	3	1 1/8	13/16	7/16	3/8		●	●	●	●					3.3
SB110	10.93	10.00	10.40	3	1 1/8	13/16	7/16	3/8		●	●	●	●					3.6
SB120	11.93	11.00	11.40	3	1 1/8	13/16	7/16	3/8			●	●	●					4.0
SB130	12.93	12.00	12.40	3	1 1/8	13/16	7/16	3/8			●	●	●					4.0
SB160	15.93	15.00	15.40	3	1 1/8	13/16	7/16	3/8			●	●	●	●	●	●	●	7.8
SB190	18/93	18.00	18.40	3	1 1/8	13/16	7/16	3/8			●	●	●	●	●	●	●	10.0

▲For 1 1/8" Bores and Larger: L = 1 17/32", P = 7/8", C = 3/8".

■For 1 1/8" Bores and Larger: L = 1 17/32", P = 27/32", C = 7/16".

Table No. 3

Standard Keyseats

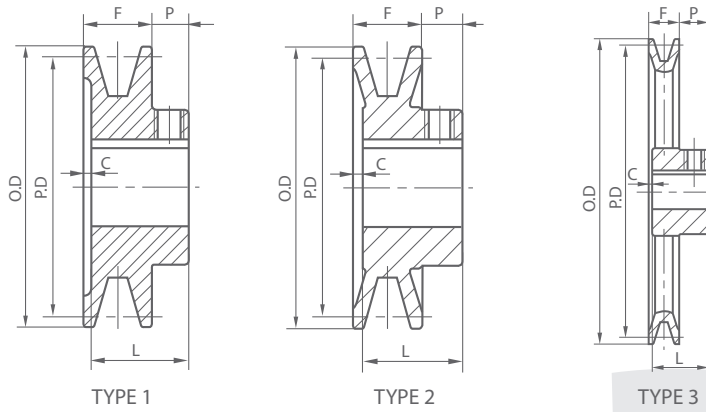
Bore Range	Keyseat
3/8 to 1/2	None
3/8 to 7/8	3/16X3/32
15/18 to 1 1/4	1/4X1/8
17/18	3/8X3/16

F_B^{inished}_{ore}

V-pulleys

CAK

Cast Iron Sheaves

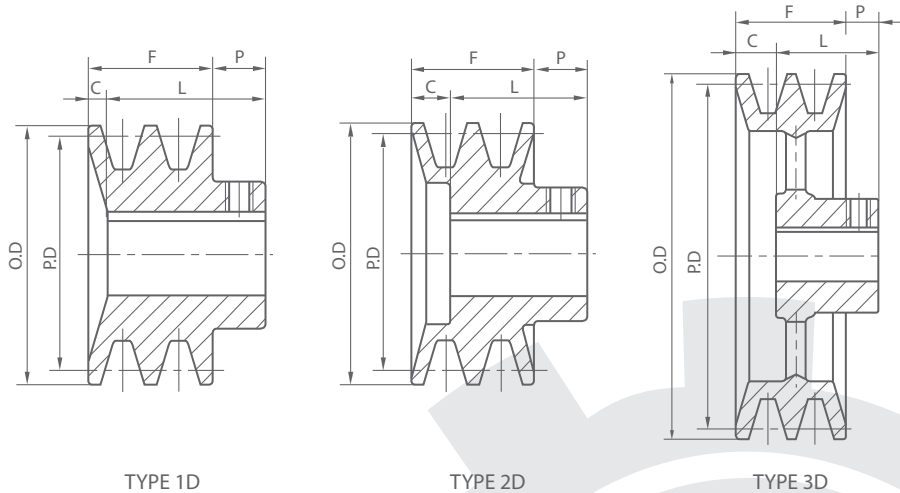


"3L" Belts may be used with These Sheaves as Indicated in Table Below

Single Groove Sheaves for "4L" or "A" Belts

Catalog Number	Diameter			Type	Dimensions				Stock Bores											wt Lbs	
	OD	PD A	PD 3L		F	L	P	C	1/2	5/8	3/4	7/8	15/16	1	1 1/8	1 3/16	1 1/4	1 3/8	1 7/16		
CAK17	1.75	1.50	1.16	1	21/32	15/16	7/16	5/32	●	●											0.2
CAK20	2.00	1.80	1.46	1	21/32	15/16	7/16	5/32	●	●	●										0.3
CAK21	2.10	1.90	1.56	1	21/32	15/16	7/16	5/32	●	●	●										0.4
CAK22	2.20	2.00	1.66	1	21/32	15/16	7/16	5/32	●	●	●										0.5
CAK23	2.30	2.10	1.76	1	21/32	15/16	7/16	5/32	●	●	●										0.5
CAK25	2.50	2.30	1.96	2	21/32	15/16	7/16	5/32	●	●	●										0.6
CAK26	2.60	2.40	2.06	2	21/32	15/16	7/16	5/32	●	●	●										0.6
CAK27	2.70	2.50	2.16	2	21/32	15/16	7/16	5/32	●	●	●										0.6
CAK28	2.80	2.60	2.26	2	21/32	15/16	7/16	5/32	●	●	●										0.7
CAK30	3.05	2.80	2.46	2	21/32	15/16	7/16	5/32	●	●	●	●									0.7
CAK32	3.25	3.00	2.66	2	21/32	15/16	7/16	5/32	●	●	●	●									0.8
CAK34	3.45	3.20	2.86	2	21/32	15/16	7/16	5/32	●	●	●	●									0.9
CAK39	3.75	3.50	3.16	2	3/4	1 5/32	1 5/32	1/16	●	●	●	●	●								1.4
CAK41	3.95	3.70	3.36	2	3/4	1 5/32	1 5/32	1/16	●	●	●	●	●	●							1.5
CAK44	4.25	4.00	3.66	3	3/4	1 5/32	1 5/32	1/16	●	●	●	●	●	●	●						1.5
CAK46	4.45	4.20	3.86	3	3/4	1 5/32	1 5/32	1/16	●	●	●	●	●	●	●						1.6
CAK49	4.75	4.50	4.16	3	3/4	1 5/32	1 5/32	1/16	●	●	●	●	●	●	●						1.7
CAK51	4.95	4.70	4.36	3	3/4	1 5/32	1 5/32	1/16	●	●	●	●	●	●	●						1.7
CAK54	5.25	5.00	4.66	3	3/4	1 5/32	1 5/32	1/16	●	●	●	●	●	●	●	●					1.8
CAK56	5.45	5.20	4.86	3	3/4	1 5/32	1 5/32	1/16	●	●	●	●	●	●	●	●	●				1.9
CAK59	5.75	5.50	5.16	3	3/4	1 5/32	1 5/32	1/16	●	●	●	●	●	●	●	●	●				2.0
CAK61	5.95	5.70	5.36	3	3/4	1 5/32	1 5/32	1/16	●	●	●	●	●	●	●	●	●				2.1
CAK64	6.25	5.00	5.66	3	3/4	1 5/32	1 5/32	1/16	●	●	●	●	●	●	●	●	●	●			2.2
CAK66	6.45	6.20	5.86	3	3/4	1 5/32	1 5/32	1/16	●	●	●	●	●	●	●	●	●	●			2.3
CAK69	6.75	6.50	6.16	3	3/4	1 15/32	2 3/32	—	●	●	●	●	●	●	●	●	●	●			3.5
CAK71	6.95	6.70	6.36	3	3/4	1 15/32	2 3/32	—	●	●	●	●	●	●	●	●	●	●	●		3.8
CAK74	7.25	7.00	6.66	3	3/4	1 15/32	2 3/32*	—	●	●	●	●	●	●	●	●	●	●	●		3.9
CAK79	7.79	7.50	7.16	3	3/4	1 15/32	2 3/32	—	●	●	●	●	●	●	●	●	●	●	●		4.0
CAK84	8.25	8.00	7.66	3	3/4	1 15/32	2 3/32*	—	●	●	●	●	●	●	●	●	●	●	●		4.2
CAK89	8.75	8.50	8.16	3	3/4	1 15/32	2 3/32	—	●	●	●	●	●	●	●	●	●	●	●		4.3
CAK94	9.25	9.00	8.66	3	3/4	1 15/32	2 3/32*	—	●	●	●	●	●	●	●	●	●	●	●		4.5
CAK99	9.75	9.50	9.16	3	3/4	1 15/32	2 3/32	—	●	●	●	●	●	●	●	●	●	●	●		5.3
CAK104	10.25	10.00	9.66	3	3/4	1 15/32	2 3/32*	—	●	●	●	●	●	●	●	●	●	●	●		5.7
CAK109	10.75	10.50	10.16	3	3/4	1 15/32	2 3/32	—	●	●	●	●	●	●	●	●	●	●	●		5.8
CAK114	11.25	11.00	10.66	3	3/4	1 15/32	2 3/32*	—	●	●	●	●	●	●	●	●	●	●	●		5.9
CAK124	12.25	12.00	11.66	3	3/4	1 15/32	2 3/32*	—	●	●	●	●	●	●	●	●	●	●	●		6.5
CAK134	13.25	13.00	12.66	3	3/4	1 15/32	2 3/32	—	●	●	●	●	●	●	●	●	●	●	●		7.5
CAK144	14.25	14.00	13.66	3	3/4	1 15/32	2 3/32	—	●	●	●	●	●	●	●	●	●	●	●		8.5
CAK154	15.25	15.00	14.66	3	3/4	1 15/32	2 3/32	—	●	●	●	●	●	●	●	●	●	●	●		9.8
CAK184	18.25	18.00	17.66	3	3/4	1 15/32	2 3/32	—	●	●	●	●	●	●	●	●	●	●	●		12.1

*P=25/32 and C=1/16 for 1" Bore and smaller

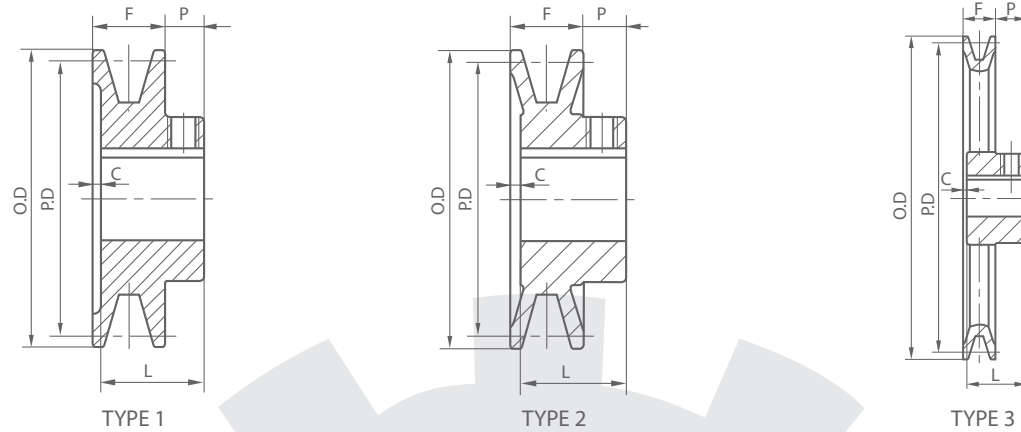


"3L" Belts may be used with These Sheaves as Indicated in Table Below

Single Groove Sheaves for "4L" or "A" Belts

Catalog Number	Diameter			Type	Dimensions				Stock Bores										wt		
	OD	PD A	PD 3L		F	L	P	C	1/2	5/8	3/4	7/8	15/16	1	1 1/8	1 3/16	1 1/4	1 3/8	1 7/16	Lbs	
2CAK20	2.00	1.80	1.46	1D	13/8	1 21/32	15/32	3/16	●	●	●										0.8
2CAK21	2.15	1.90	1.56	1D	13/8	1 21/32	15/32	3/16	●	●	●										0.9
2CAK22	2.25	2.00	1.66	1D	13/8	1 21/32	15/32	3/16	●	●	●	●									1.0
2CAK23	2.35	2.10	1.76	1D	13/8	1 21/32	15/32	3/16		●	●	●	●								1.1
2CAK25	2.55	2.30	1.96	1D	13/8	1 21/32	15/32	3/16		●	●	●	●	●							1.3
2CAK26	2.65	2.40	2.06	1D	13/8	1 21/32	15/32	3/16		●	●	●	●	●							1.4
2CAK27	2.75	2.50	2.16	1D	13/8	1 21/32	15/32	3/16		●	●	●	●	●							1.5
2CAK28	2.85	2.60	2.26	1D	13/8	1 21/32	15/32	3/16		●	●	●	●	●							1.8
2CAK30	3.05	2.80	2.46	1D	13/8	1 21/32	15/32	3/16	●	●	●	●	●	●	●						1.9
2CAK32	3.25	3.00	2.66	1D	13/8	1 21/32	15/32	3/16		●	●	●	●	●	●						2.1
2CAK34	3.45	3.20	2.86	1D	13/8	1 21/32	15/32	3/16		●	●	●	●	●	●						2.3
2CAK39	3.75	3.50	3.16	2D	13/8	1 11/32	15/32	1/2		●	●	●	●	●	●						2.6
2CAK41	3.95	3.70	3.36	2D	13/8	1 11/32	15/32	1/2		●	●	●	●	●	●						2.9
2CAK44	4.25	4.00	3.66	2D	13/8	1 11/32	15/32	1/2		●	●	●	●	●	●						3.0
2CAK46	4.45	4.20	3.86	2D	13/8	1 11/32	15/32	1/2		●	●	●	●	●	●						3.1
2CAK49	4.75	4.50	4.16	2D	13/8	1 11/32	15/32	1/2			●	●	●	●	●			●			3.6
2CAK51	4.95	4.70	4.36	2D	13/8	1 11/32	15/32	1/2			●	●	●	●	●			●			3.8
2CAK54	5.25	5.00	4.66	3D	13/8	1 11/32	15/32	1/2		●	●	●	●	●	●			●			3.3
2CAK56	5.45	5.20	4.86	3D	13/8	1 11/32	15/32	1/2		●	●	●	●	●	●			●			3.4
2CAK59	5.75	5.50	5.16	3D	13/8	1 11/32	15/32	1/2			●	●	●	●	●			●			3.5
2CAK61	5.95	5.70	5.36	3D	13/8	1 11/32	15/32	1/8			●	●	●	●	●			●			3.6
2CAK64	6.25	5.00	5.66	3D	13/8	1 19/32	11/32	1/8			●	●	●	●	●	●		●	●		4.8
2CAK74	7.25	7.00	6.66	3D	13/8	1 19/32	11/32	1/8			●	●	●	●	●	●		●	●		5.6
2CAK84	8.25	8.00	7.66	3D	13/8	1 19/32	11/32	1/8			●	●	●	●	●	●		●	●		6.4
2CAK94	9.25	9.00	8.66	3D	13/8	1 19/32	11/32	1/8			●	●	●	●	●	●		●	●		7.3
2CAK104	10.25	10.00	9.66	3D	13/8	1 19/32	11/32	1/8			●	●	●	●	●	●		●	●		8.1
2CAK114	11.25	11.00	10.66	3D	13/8	1 19/32	11/32	1/8			●	●	●	●	●	●		●	●		9.0
2CAK124	12.25	12.00	11.66	3D	13/8	1 19/32	11/32	1/8			●	●	●	●	●	●		●	●		9.8
2CAK134	13.25	13.00	12.66	3D	13/8	1 19/32	11/32	1/8			●	●	●	●	●	●		●	●		12.3
2CAK144	14.25	14.00	13.66	3D	13/8	1 19/32	11/32	1/8			●	●	●	●	●	●		●	●		13.9
2CAK154	15.25	15.00	14.66	3D	13/8	1 19/32	11/32	1/8				●	●	●	●	●		●	●		14.3
2CAK184	18.25	18.00	17.66	3D	13/8	1 19/32	11/32	1/8					●	●	●	●		●	●		17.4

Cast Iron Sheaves

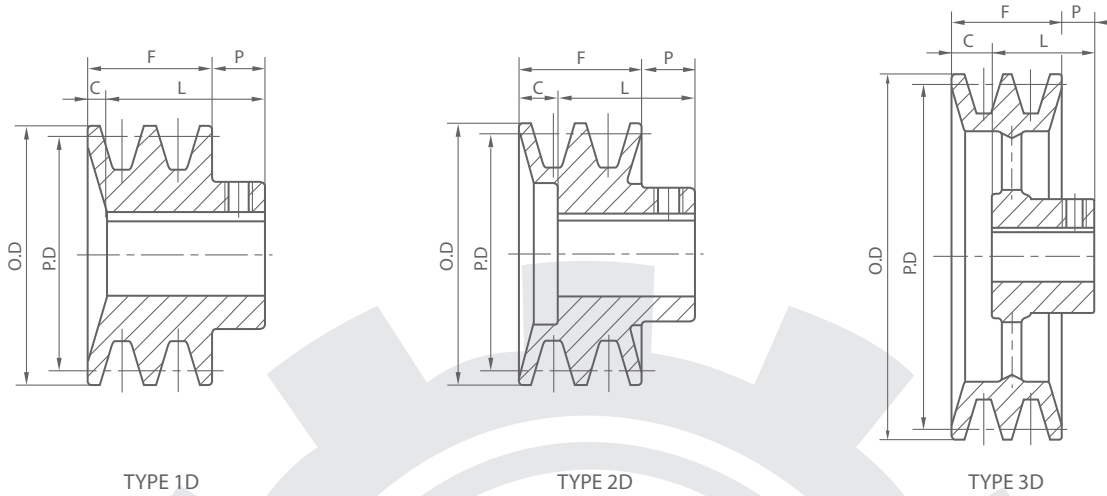


Single Groove Sheaves for "4L" or "A" Belts and "5L" or "B" Belts

Catalog Number	Diameter			Type	Dimensions				Stock Bores										wt		
	OD	PD A	PD B		F	L	P	C	1/2	5/8	3/4	7/8	15/16	1	1 1/8	1 3/16	1 1/4	1 3/8	1 7/16	Lbs	
CBK24	2.40	1.80	2.20	1	13/16	1 1/16	13/32	5/32	●	●	●										0.4
CBK25	2.50	1.90	2.30	1	13/16	1 1/16	13/32	5/32	●	●	●	●									0.5
CBK26	2.60	2.00	2.40	1	13/16	1 1/16	13/32	5/32	●	●	●	●									0.6
CBK27	2.70	2.10	2.50	2	13/16	1 1/16	13/32	5/32	●	●	●	●									0.7
CBK28	2.95	2.20	2.60	2	13/16	1 1/16	13/32	5/32	●	●	●	●									0.8
CBK30	3.15	2.40	2.80	2	13/16	1 1/16	13/32	5/32	●	●	●	●									0.9
CBK32	3.35	2.60	3.00	2	13/16	1 1/16	13/32	5/32	●	●	●	●									1.0
CBK34	3.55	2.80	3.20	2	7/8	1 5/32	13/32	1/8	●	●	●	●	●		●						1.3
CBK36	3.75	3.00	3.40	2	7/8	1 5/32	13/32	1/8	●	●	●	●	●		●						1.5
CBK40	3.95	3.20	3.60	2	7/8	1 5/32	13/32	1/8	●	●	●	●	●		●						1.6
CBK45	4.25	3.50	3.90	2	7/8	1 5/32	13/32	1/8	●	●	●	●	●		●						1.8
CBK47	4.45	3.70	4.10	2	7/8	1 5/32	13/32	1/8	●	●	●	●	●		●						1.9
CBK50	4.75	4.00	4.40	3	7/8	1 5/32	13/32	1/8	●	●	●	●	●	●							2.0
CBK52	4.95	4.20	4.60	3	7/8	1 5/32	13/32	1/8	●	●	●	●	●	●							2.1
CBK55	5.25	4.50	4.90	3	7/8	1 5/32	13/32	1/8	●	●	●	●	●	●							2.2
CBK57	5.45	4.70	5.10	3	7/8	1 5/32	13/32	1/8		●	●	●	●	●	●						2.3
CBK60	5.75	5.00	5.40	3	7/8	1 5/32	13/32	1/8	●	●	●	●	●	●		●					2.4
CBK62	5.95	5.20	5.60	3	7/8	1 5/32	13/32	1/8	●	●	●	●	●	●		●					2.5
CBK65	6.25	5.50	5.90	3	7/8	1 5/32	13/32	1/8		●	●	●	●	●	●		●				2.7
CBK67	6.45	5.70	6.10	3	7/8	1 5/32	13/32	1/8	●	●	●	●	●	●		●					2.8
CBK70	6.75	6.00	6.40	3	7/8	1 15/32	2 1/32*	1/16		●	●	●	●	●	●				●	●	3.3
CBK72	6.95	6.20	6.60	3	7/8	1 15/32	2 1/32	1/16		●	●	●	●	●	●			●	●	●	3.9
CBK75	7.25	6.50	6.90	3	7/8	1 15/32	2 1/32	1/16		●	●	●	●	●	●		●		●	●	4.0
CBK77	7.45	6.70	7.10	3	7/8	1 15/32	2 1/32	1/16		●	●	●	●	●	●		●		●	●	4.1
CBK80	7.75	7.00	7.40	3	7/8	1 15/32	2 1/32	1/16		●	●	●	●	●	●		●		●	●	4.4
CBK85	8.25	7.50	7.90	3	7/8	1 15/32	2 1/32	1/16			●	●	●	●	●			●	●	●	5.0
CBK90	8.75	8.00	8.40	3	7/8	1 15/32	2 1/32	1/16			●	●	●	●	●		●		●	●	5.2
CBK95	9.25	8.50	8.90	3	7/8	1 15/32	2 1/32	1/16			●	●	●	●	●		●		●	●	5.4
CBK100	9.75	9.00	9.40	3	7/8	1 15/32	2 1/32	1/16			●	●	●	●	●		●		●	●	5.6
CBK105	10.25	9.50	9.90	3	7/8	1 15/32	2 1/32	1/16			●	●	●	●	●		●		●	●	5.8
CBK110	10.75	10.00	10.40	3	7/8	1 15/32	2 1/32	1/16			●	●	●	●	●		●		●	●	6.4
CBK115	11.25	10.50	10.90	3	7/8	1 15/32	2 1/32	1/16			●	●	●	●	●		●		●	●	6.9
CBK120	11.75	11.00	11.40	3	7/8	1 15/32	2 1/32	1/16			●	●	●	●	●		●		●	●	7.4
CBK130	12.75	12.00	12.40	3	7/8	1 15/32	2 1/32	1/16			●	●	●	●	●		●		●	●	8.4
CBK140	13.75	13.00	13.40	3	7/8	1 15/32	2 1/32	1/16			●	●	●	●	●		●		●	●	9.4
CBK160	15.75	15.00	15.40	3	7/8	1 15/32	2 1/32	1/16						●	●	●	●		●	●	12.4
CBK190	18.75	18.00	18.40	3	7/8	1 15/32	2 1/32	1/16							●	●	●	●		●	13.4

*P=13/32 and C=1/8 for 1" Bore and smaller

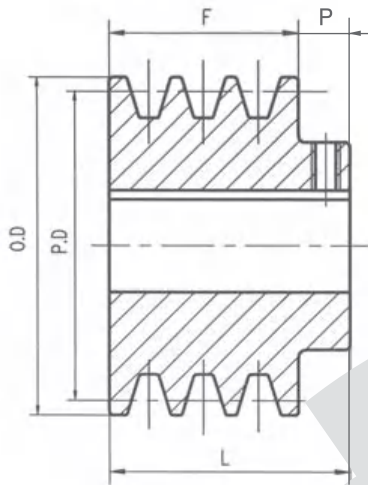
Cast Iron Sheaves



Double Groove Sheaves for "4L" or "A" Belts and "5L" or "B" Belts

Catalog Number	Diameter			Type	Dimensions				Stock Bores											wt Lbs	
	OD	PD A	PD B		F	L	P	C	1/2	5/8	3/4	7/8	15/16	1	1 1/8	1 3/16	1 1/4	1 3/8	1 7/16		
2CBK25	2.50	1.90	2.30	1D	13/4	131/32	15/32	1/4	●	●	●	●	●	●	●	●	●	●	●	●	1.3
2CBK27	2.70	2.10	2.50	1D	13/4	131/32	15/32	1/4	●	●	●	●	●	●	●	●	●	●	●	●	1.6
2CBK28	2.95	2.20	2.60	1D	13/4	131/32	15/32	1/4	●	●	●	●	●	●	●	●	●	●	●	1.9	
2CBK30	3.15	2.40	2.80	1D	13/4	131/32	15/32	1/4	●	●	●	●	●	●	●	●	●	●	●	2.3	
2CBK32	3.35	2.60	3.00	1D	13/4	131/32	15/32	1/4	●	●	●	●	●	●	●	●	●	●	●	2.6	
2CBK34	3.55	2.80	3.20	1D	13/4	131/32	15/32	1/4	●	●	●	●	●	●	●	●	●	●	●	2.8	
2CBK36	3.75	3.00	3.40	1D	13/4	131/32	15/32	1/4	●	●	●	●	●	●	●	●	●	●	●	3.3	
2CBK40	3.95	3.20	3.60	2D	13/4	115/32	15/32	3/4	●	●	●	●	●	●	●	●	●	●	●	3.4	
2CBK45	4.25	3.50	3.90	2D	13/4	115/32	15/32	3/4	●	●	●	●	●	●	●	●	●	●	●	3.6	
2CBK47	4.45	3.70	4.10	2D	13/4	115/32	15/32	3/4	●	●	●	●	●	●	●	●	●	●	●	3.7	
2CBK50	4.75	4.00	4.40	2D	13/4	115/32	15/32	3/4	●	●	●	●	●	●	●	●	●	●	●	4.1	
2CBK52	4.95	4.20	4.60	2D	13/4	115/32	15/32	3/4	●	●	●	●	●	●	●	●	●	●	●	4.5	
2CBK55	5.25	4.50	4.90	2D	13/4	115/32	15/32	3/4	●	●	●	●	●	●	●	●	●	●	●	4.8	
2CBK57	5.45	4.70	5.10	2D	13/4	115/32	15/32	3/4	●	●	●	●	●	●	●	●	●	●	●	5.1	
2CBK60	5.75	5.00	5.40	3D	13/4	115/32	15/32	3/4	●	●	●	●	●	●	●	●	●	●	●	4.9	
2CBK62	5.95	5.20	5.60	3D	13/4	115/32	15/32	3/4	●	●	●	●	●	●	●	●	●	●	●	4.8	
2CBK65	6.25	5.50	5.90	3D	13/4	115/32	15/32	3/4	●	●	●	●	●	●	●	●	●	●	●	5.0	
2CBK67	6.45	5.70	6.10	3D	13/4	115/32	15/32	3/4	●	●	●	●	●	●	●	●	●	●	●	5.5	
2CBK70	6.75	6.00	6.40	3D	13/4	119/32	11/32	1/2	●	●	●	●	●	●	●	●	●	●	●	6.0	
2CBK80	7.75	7.00	7.40	3D	13/4	119/32	11/32	1/2	●	●	●	●	●	●	●	●	●	●	●	7.2	
2CBK90	8.75	8.00	8.40	3D	13/4	119/32	11/32	1/2	●	●	●	●	●	●	●	●	●	●	●	8.4	
2CBK100	9.75	9.00	9.40	3D	13/4	119/32	11/32	1/2	●	●	●	●	●	●	●	●	●	●	●	9.4	
2CBK110	10.75	10.00	10.40	3D	13/4	119/32	11/32	1/2	●	●	●	●	●	●	●	●	●	●	●	10.4	
2CBK120	11.75	11.00	11.40	3D	13/4	119/32	11/32	1/2	●	●	●	●	●	●	●	●	●	●	●	11.8	
2CBK130	12.75	12.00	12.40	3D	13/4	119/32	11/32	1/2	●	●	●	●	●	●	●	●	●	●	●	14.9	
2CBK140	13.75	13.00	13.40	3D	13/4	119/32	11/32	1/2	●	●	●	●	●	●	●	●	●	●	●	16.3	
2CBK160	15.75	15.00	15.40	3D	13/4	119/32	11/32	1/2	●	●	●	●	●	●	●	●	●	●	●	18.0	
2CBK190	18.75	18.00	18.40	3D	13/4	119/32	11/32	1/2	●	●	●	●	●	●	●	●	●	●	●	23.3	

Cast Iron Sheaves



TYPE 3T



Single Groove Sheaves for "4L" or "A" Belts and "5L" or "B" Belts

Catalog Number	Diameter			Type	Dimensions			Stock Bores				wt Lbs
	OD	PD A	PD B		F	L	P	5/8"	7/8"	1	1 1/8"	
3CBK25	2.50	1.90	2.30	3T	2 1/2	3	1/2	●	●			1.7
3CBK27	2.70	2.10	2.50	3T	2 1/2	3	1/2	●	●	●		2.1
3CBK28	2.95	2.20	2.60	3T	2 1/2	3	1/2	●	●	●	●	2.5
3CBK30	3.15	2.40	2.80	3T	2 1/2	3	1/2		●	●	●	3.0
3CBK32	3.35	2.60	3.00	3T	2 1/2	3	1/2		●	●	●	3.4
3CBK34	3.55	2.80	3.20	3T	2 1/2	3	1/2		●	●	●	3.8
3CBK36	3.75	3.00	3.40	3T	2 1/2	3	1/2		●	●	●	4.3
3CBK40	3.95	3.20	3.60	3T	2 1/2	3	1/2		●	●	●	4.7



Standard Keyseats

Bore Range	Keyseats	Bore Range	Keyseat
1/2-9/16	1/8x1/16	25/16-23/4	5/8x5/16
5/8-7/8	3/16x3/32	2 13/16-3 1/4	3/4x3/8
15/16-1 1/4	1/4x1/8	3 5/16-3 3/4	7/8x7/16
15/16-1 3/8	5/16x5/32	3 13/16-4 1/2	1x1/2
1 7/16-1 3/4	3/8x3/16	4 9/16-5 1/2	1 1/4x5/8
1 13/16-2 1/4	1/2x1/4		

**T_{aper}
B_{ore}**

V-pulleys

Cast Iron Sheaves

**CAK-H
CBK-H**



- CAK-H, CBK-H series of taper sheaves are furnished with H style STL bushings, with the characteristics of highly precised installation, easy on and easy off, wide applicability and so on. They are the first choice for engineered designs.
- Made of high quality grey cast iron and then precisely manufactured.
- Surface treatment: paintings or black phosphating.
- Individually boxed.
- All series of H style bushings are available for bore size from 3/8" to 1 3/8".
- In-stock item qualified for prompt delivery.



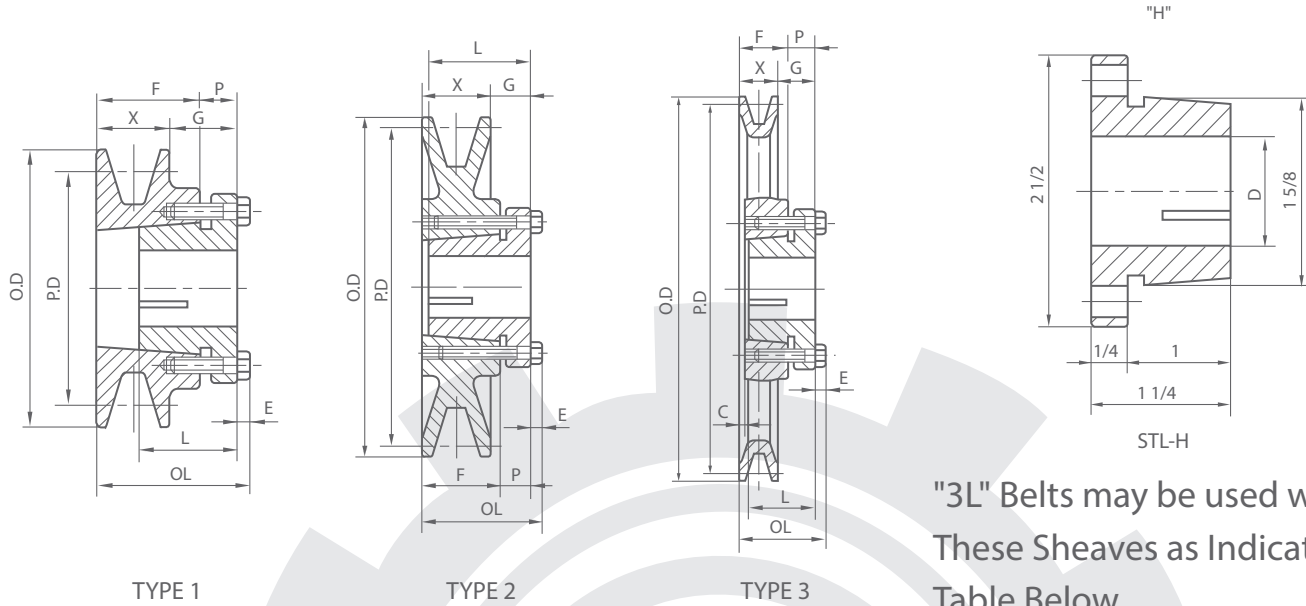
Stock "H" Bushings

Stock Bores	Keyseats	Stock Bores	Keyseats
3/8	None	1	1/4x1/16
7/16	None	1 1/16	1/4x1/16
1/2	1/8x1/16	1 1/8	1/4x1/16
9/16	1/8x1/16	1 3/16	1/4x1/16
5/8	3/16x3/32	1 1/4	1/4x1/16
11/16	3/16x3/32	1 5/16	5/16x1/16
3/4	3/16x3/32	1 3/8	5/16x1/16
13/16	3/16x3/32	1 3/8	3/8x1/16
7/8	3/16x3/32	1 7/16	3/8x1/16
15/16	1/4x1/8	1 1/2	3/8x1/16

Milimeter Bores

Stock Bores	Keyseats	Stock Bores	Keyseats
10	None	24	8x3.5
11	None	25	8x3.5
12	None	28	8x3.5
14	5x2.5	30	8x3.5
16	5x2.5	32	10x4
18	6x3	35	10x4
19	6x3	36	10x4
20	6x3	38	10x4
22	6x3		

Cast Iron Sheaves

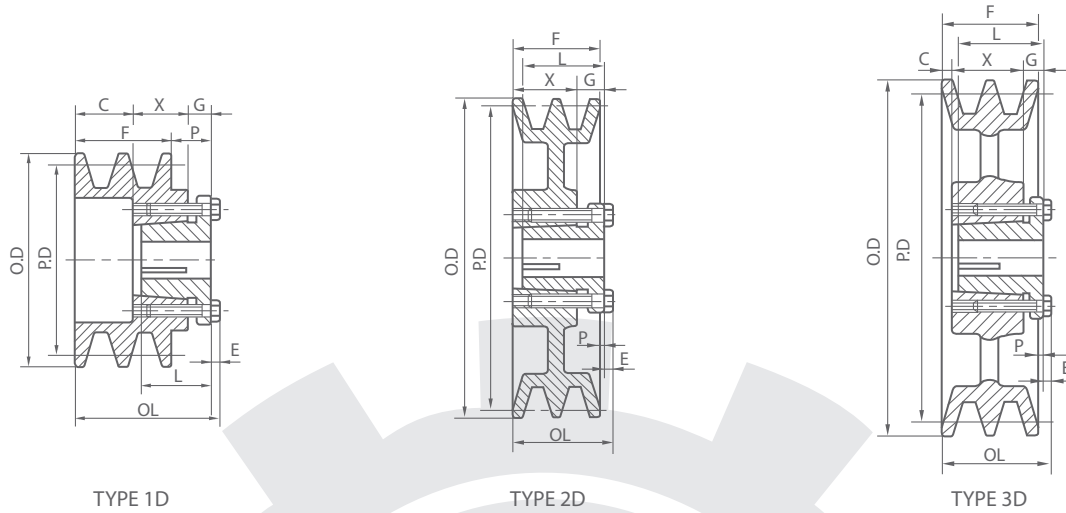


"3L" Belts may be used with These Sheaves as Indicated in Table Below

Single Groove Sheaves for "4L" or "A" Belts

Catalog Number	Diameter			Type	Dimensions								wt less Bush
	OD	PD A	PD 3L		OL	F	L	P	C	X	G	E	
CAK30H	3.05	2.80	2.46	1	1 13/16	3/4	1 1/4	7/8	—	13/16	7/16	3/16	1.1
CAK32H	3.25	3.00	2.66	1	1 13/16	3/4	1 1/4	7/8	—	13/16	7/16	3/16	1.2
CAK34H	3.45	3.20	2.86	2	1 1/2	3/4	1 1/4	9/16	—	7/8	7/16	3/16	1.0
CAK39H	3.75	3.50	3.16	2	1 1/2	3/4	1 1/4	9/16	—	7/8	7/16	3/16	1.4
CAK41H	3.95	3.70	3.36	2	1 1/2	3/4	1 1/4	9/16	—	7/8	7/16	3/16	1.6
CAK44H	4.25	4.00	3.66	2	1 1/2	3/4	1 1/4	9/16	—	7/8	7/16	3/16	1.9
CAK46H	4.45	4.20	3.86	2	1 1/2	3/4	1 1/4	9/16	—	7/8	7/16	3/16	1.9
CAK49H	4.75	4.50	4.16	2	1 1/2	3/4	1 1/4	9/16	—	7/8	7/16	3/16	2.1
CAK51H	4.95	4.70	4.36	2	1 1/2	3/4	1 1/4	9/16	—	7/8	7/16	3/16	2.3
CAK54H	5.25	6.00	4.66	2	1 1/2	3/4	1 1/4	9/16	—	7/8	7/16	3/16	2.0
CAK56H	5.45	5.20	4.86	2	1 1/2	3/4	1 1/4	9/16	—	7/8	7/16	3/16	2.3
CAK59H	5.75	5.50	5.16	2	1 1/2	3/4	1 1/4	9/16	—	7/8	7/16	3/16	2.4
CAK61H	5.95	5.70	5.36	3	1 1/2	3/4	1 1/4	9/16	—	7/8	7/16	3/16	2.5
CAK64H	6.25	5.00	5.66	3	1 1/2	3/4	1 1/4	9/16	—	7/8	7/16	3/16	2.7
CAK66H	6.45	6.20	5.86	3	1 1/2	3/4	1 1/4	9/16	—	7/8	7/16	3/16	2.8
CAK69H	6.75	6.50	6.16	3	1 1/2	3/4	1 1/4	9/16	—	7/8	7/16	3/16	3.2
CAK71H	6.95	6.70	6.36	3	1 1/2	3/4	1 1/4	9/16	—	7/8	7/16	3/16	3.1
CAK74H	7.25	7.00	6.66	3	1 1/2	3/4	1 1/4	9/16	—	7/8	7/16	3/16	3.3
CAK79H	7.75	7.50	7.16	3	1 1/2	3/4	1 1/4	9/16	—	7/8	7/16	3/16	3.5
CAK84H	8.25	8.00	7.66	3	1 1/2	3/4	1 1/4	9/16	—	7/8	7/16	3/16	3.6
CAK89H	8.75	8.50	8.16	3	1 1/2	3/4	1 1/4	9/16	—	7/8	7/16	3/16	4.0
CAK94H	9.25	9.00	8.66	3	1 1/2	3/4	1 1/4	9/16	—	7/8	7/16	3/16	4.4
CAK99H	9.75	9.50	9.16	3	1 1/2	3/4	1 1/4	9/16	—	7/8	7/16	3/16	4.7
CAK104H	10.25	10.00	9.66	3	1 1/2	3/4	1 1/4	9/16	—	7/8	7/16	3/16	4.5
CAK109H	10.75	10.50	10.16	3	1 1/2	3/4	1 1/4	9/16	—	7/8	7/16	3/16	5.1
CAK114H	11.25	11.00	10.66	3	1 1/2	3/4	1 1/4	9/16	—	7/8	7/16	3/16	5.5
CAK124H	12.25	12.00	11.66	3	1 1/2	3/4	1 1/4	9/16	—	7/8	7/16	3/16	6.1
CAK134H	13.25	13.00	12.66	3	1 1/2	3/4	1 1/4	9/16	—	7/8	7/16	3/16	7.4
CAK144H	14.25	14.00	13.66	3	1 1/2	3/4	1 1/4	9/16	—	7/8	7/16	3/16	7.8
CAK154H	15.25	15.00	14.66	3	1 1/2	3/4	1 1/4	9/16	—	7/8	7/16	3/16	8.8
CAK184H	18.25	18.00	17.66	3	1 1/2	3/4	1 1/4	9/16	—	7/8	7/16	3/16	11.3

Cast Iron Sheaves

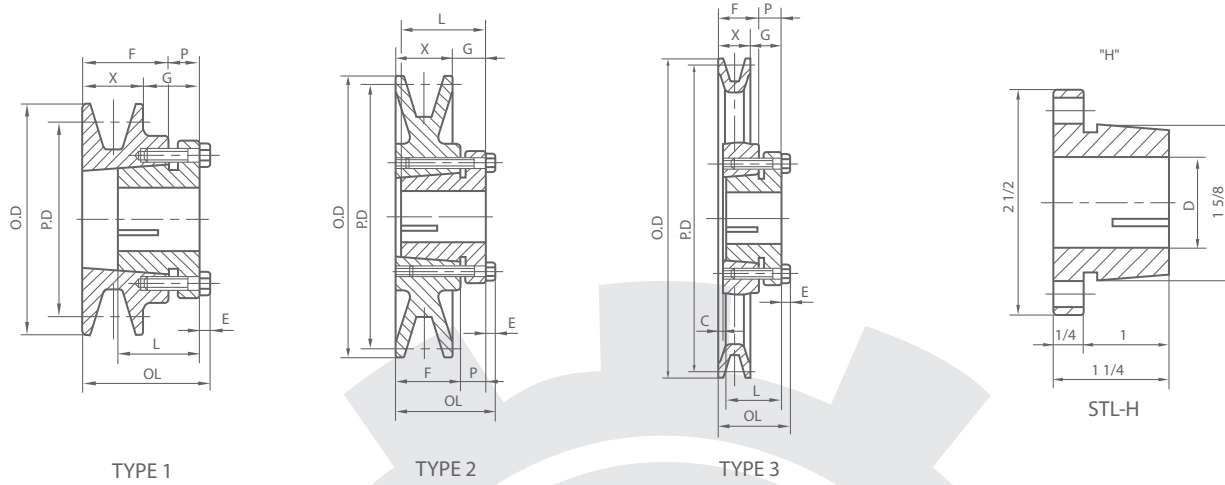


"3L" Belts may be used with These Sheaves as Indicated in the table below

Double Groove Sheaves for "4L" or "A" Belts

Catalog Number	Diameter			Type	Dimensions								Wt. less Bush
	O.D	PD A	PD 3L		OL	F	L	P	C	X	G	E	
2CAK30H	3.05	2.80	2.46	1D	27/16	13/8	1 1/4	7/8	15/16	7/8	7/16	3/16	1.4
2CAK32H	3.25	3.00	2.66	1D	27/16	13/8	1 1/4	7/8	15/16	7/8	7/16	3/16	1.7
2CAK34H	3.45	3.20	2.86	1D	2	13/8	1 1/4	7/16	1/2	7/8	7/16	3/16	1.8
2CAK39H	3.75	3.50	3.16	1D	2	13/8	1 1/4	7/16	1/2	7/8	7/16	3/16	1.8
2CAK41H	3.95	3.70	3.36	2D	1 1/2	13/8	1 1/4	1/16	—	7/8	7/16	3/16	1.9
2CAK44H	4.25	4.00	3.66	2D	1 1/2	13/8	1 1/4	1/16	—	7/8	7/16	3/16	2.4
2CAK46H	4.45	4.20	3.86	2D	1 1/2	13/8	1 1/4	1/16	—	7/8	7/16	3/16	2.5
2CAK49H	4.75	4.50	4.16	2D	1 1/2	13/8	1 1/4	1/16	—	7/8	7/16	3/16	3.1
2CAK51H	4.95	4.70	4.36	2D	1 1/2	13/8	1 1/4	1/16	—	7/8	7/16	3/16	3.2
2CAK54H	5.25	5.00	4.66	2D	1 1/2	13/8	1 1/4	1/16	—	7/8	7/16	3/16	3.4
2CAK56H	5.45	5.20	4.86	2D	1 1/2	13/8	1 1/4	1/16	—	7/8	7/16	3/16	3.6
2CAK59H	5.75	5.50	5.16	3D	1 1/2	13/8	1 1/4	1/16	—	7/8	7/16	3/16	3.4
2CAK61H	5.95	5.70	5.36	3D	1 1/2	13/8	1 1/4	1/16	—	7/8	7/16	3/16	3.3
2CAK64H	6.25	6.00	5.66	3D	1 1/2	13/8	1 1/4	1/16	—	7/8	7/16	3/16	3.9
2CAK74H	7.25	7.00	6.66	3D	1 1/2	13/8	1 1/4	1/16	—	7/8	7/16	3/16	4.9
2CAK84H	8.25	8.00	7.66	3D	1 1/2	13/8	1 1/4	1/16	—	7/8	7/16	3/16	5.8
2CAK94H	9.25	9.00	8.66	3D	1 1/2	13/8	1 1/4	1/16	—	7/8	7/16	3/16	6.1
2CAK104H	10.25	10.00	9.66	3D	1 1/2	13/8	1 1/4	1/16	—	7/8	7/16	3/16	7.7
2CAK114H	11.25	11.00	10.66	3D	1 1/2	13/8	1 1/4	1/16	—	7/8	7/16	3/16	8.5
2CAK124H	12.25	12.00	11.66	3D	1 1/2	13/8	1 1/4	1/16	—	7/8	7/16	3/16	9.5
2CAK134H	13.25	13.00	12.66	3D	1 1/2	13/8	1 1/4	1/16	—	7/8	7/16	3/16	11.4
2CAK144H	14.25	14.00	13.66	3D	1 1/2	13/8	1 1/4	1/16	—	7/8	7/16	3/16	11.9
2CAK154H	15.25	15.00	14.66	3D	1 1/2	13/8	1 1/4	1/16	—	7/8	7/16	3/16	13.3
2CAK184H	18.25	18.00	17.66	3D	1 1/2	13/8	1 1/4	1/16	—	7/8	7/16	3/16	16.8

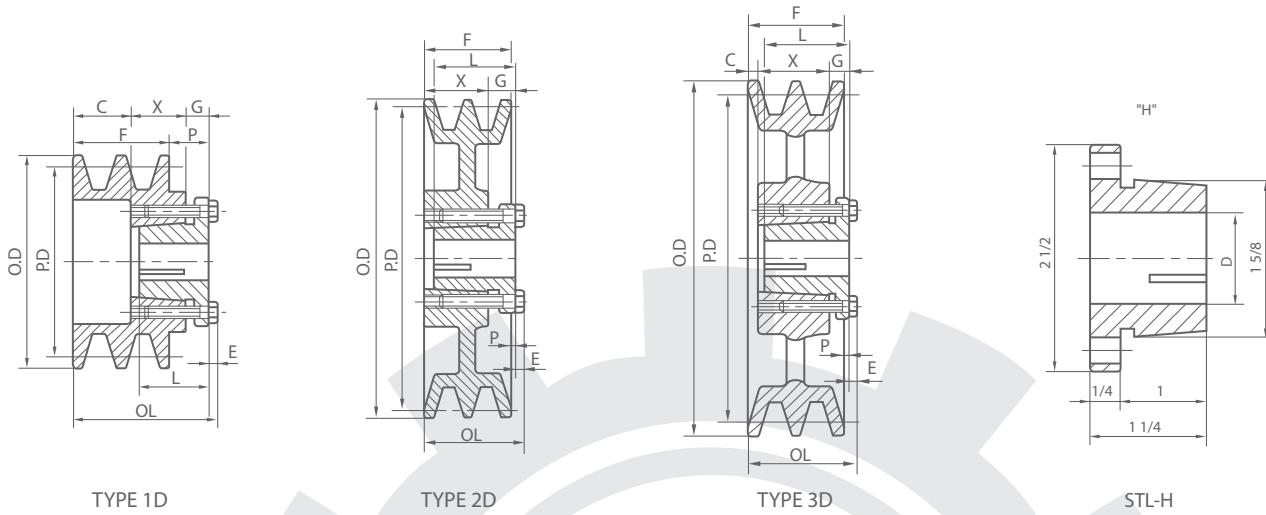
Cast Iron Sheaves



Single Groove Sheaves for "4L" or "A" Belts and "5L" or "B" Belts

Catalog Number	Diameter			Type	Dimensions								wt less Bush
	OD	PD A	PD 3L		OL	F	L	P	C	X	G	E	
CBK30H	3.15	2.40	2.80	1	1 15/16	7/8	1 1/4	7/8	—	1 5/16	7/16	3/16	1.2
CBK32H	3.35	2.60	3.00	1	1 15/16	7/8	1 1/4	7/8	—	1 5/16	7/16	3/16	1.4
CBK34H	3.55	2.80	3.20	1	1 15/16	7/8	1 1/4	7/8	—	1 5/16	7/16	3/16	1.6
CBK36H	3.75	3.00	3.40	2	1 1/2	7/8	1 1/4	7/16	—	7/8	7/16	3/16	1.2
CBK40H	3.95	3.20	3.60	2	1 1/2	7/8	1 1/4	7/16	—	7/8	7/16	3/16	1.4
CBK45H	4.25	3.50	3.90	2	1 1/2	7/8	1 1/4	7/16	—	7/8	7/16	3/16	1.8
CBK47H	4.45	3.70	4.10	2	1 1/2	7/8	1 1/4	7/16	—	7/8	7/16	3/16	2.2
CBK50H	4.75	4.00	4.40	2	1 1/2	7/8	1 1/4	7/16	—	7/8	7/16	3/16	2.0
CBK52H	4.95	4.20	4.60	2	1 1/2	7/8	1 1/4	7/16	—	7/8	7/16	3/16	2.1
CBK55H	5.25	4.50	4.90	2	1 1/2	7/8	1 1/4	7/16	—	7/8	7/16	3/16	2.7
CBK57H	5.45	4.70	5.10	2	1 1/2	7/8	1 1/4	7/16	—	7/8	7/16	3/16	2.7
CBK60H	5.75	5.00	5.40	2	1 1/2	7/8	1 1/4	7/16	—	7/8	7/16	3/16	2.5
CBK62H	5.95	5.20	5.60	2	1 1/2	7/8	1 1/4	7/16	—	7/8	7/16	3/16	2.6
CBK65H	6.25	5.50	5.90	2	1 1/2	7/8	1 1/4	7/16	—	7/8	7/16	3/16	2.8
CBK67H	6.45	5.70	6.10	2	1 1/2	7/8	1 1/4	7/16	—	7/8	7/16	3/16	2.9
CBK70H	6.75	6.00	6.40	3	1 9/16	7/8	1 1/4	1/2	1/16	7/8	7/16	3/16	2.8
CBK72H	6.95	6.20	6.60	3	1 9/16	7/8	1 1/4	1/2	1/16	7/8	7/16	3/16	3.1
CBK75H	7.25	6.50	6.90	3	1 9/16	7/8	1 1/4	1/2	1/16	7/8	7/16	3/16	3.3
CBK77H	7.45	6.70	7.10	3	1 9/16	7/8	1 1/4	1/2	1/16	7/8	7/16	3/16	3.8
CBK80H	7.75	7.00	7.40	3	1 9/16	7/8	1 1/4	1/2	1/16	7/8	7/16	3/16	3.4
CBK85H	8.25	7.50	7.90	3	1 9/16	7/8	1 1/4	1/2	1/16	7/8	7/16	3/16	3.8
CBK90H	8.75	8.00	8.40	3	1 9/16	7/8	1 1/4	1/2	1/16	7/8	7/16	3/16	4.3
CBK95H	9.25	8.50	8.90	3	1 9/16	7/8	1 1/4	1/2	1/16	7/8	7/16	3/16	5.0
CBK100H	9.75	9.00	9.40	3	1 9/16	7/8	1 1/4	1/2	1/16	7/8	7/16	3/16	5.2
CBK105H	10.25	9.50	9.90	3	1 9/16	7/8	1 1/4	1/2	1/16	7/8	7/16	3/16	5.5
CBK110H	10.75	10.00	10.40	3	1 9/16	7/8	1 1/4	1/2	1/16	7/8	7/16	3/16	6.0
CBK115H	11.25	10.50	10.90	3	1 9/16	7/8	1 1/4	1/2	1/16	7/8	7/16	3/16	6.4
CBK120H	11.75	11.00	11.40	3	1 9/16	7/8	1 1/4	1/2	1/16	7/8	7/16	3/16	6.9
CBK130H	12.75	12.00	12.40	3	1 9/16	7/8	1 1/4	1/2	1/16	7/8	7/16	3/16	6.9
CBK140H	13.75	13.00	13.40	3	1 9/16	7/8	1 1/4	1/2	1/16	7/8	7/16	3/16	8.5
CBK150H	14.75	14.00	14.40	3	1 9/16	7/8	1 1/4	1/2	1/16	7/8	7/16	3/16	9.5
CBK160H	15.75	15.00	15.40	3	1 9/16	7/8	1 1/4	1/2	1/16	7/8	7/16	3/16	9.8
CBK190H	18.75	18.00	18.40	3	1 9/16	7/8	1 1/4	1/2	1/16	7/8	7/16	3/16	12.8

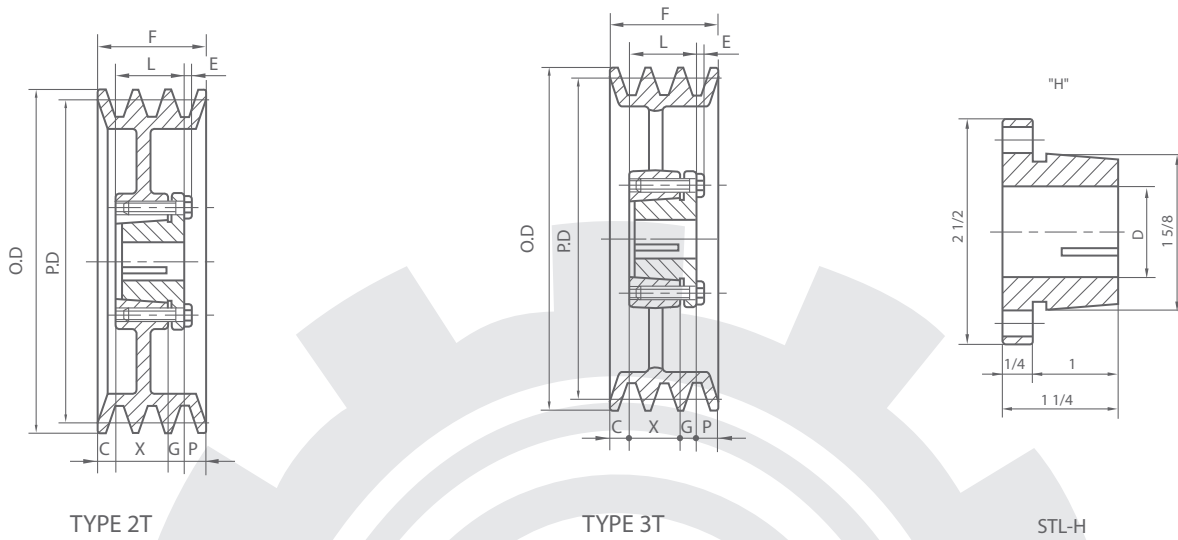
Cast Iron Sheaves



Double Groove Sheaves for "4L" or "A" Belts and "5L" or "B" Belts

Catalog Number	Diameter			Type	Dimensions								wt less Bush
	OD	PD A	PD 3L		OL	F	L	P	C	X	G	E	
2CBK32H	3.35	2.60	3.00	1D	2 ¹³ / ₁₆	1 ³ / ₄	1 ¹ / ₄	7/8	1 ⁵ / ₁₆	7/8	7/16	3/16	2.1
2CBK34H	3.55	2.80	3.20	1D	2 ¹³ / ₁₆	1 ³ / ₄	1 ¹ / ₄	7/8	1 ⁵ / ₁₆	7/8	7/16	3/16	2.4
2CBK36H	3.75	3.00	3.40	1D	2 ³ / ₈	1 ³ / ₄	1 ¹ / ₄	7/16	7/8	7/8	7/16	3/16	2.0
2CBK40H	3.95	3.20	3.60	1D	2 ³ / ₈	1 ³ / ₄	1 ¹ / ₄	7/16	7/8	7/8	7/16	3/16	2.4
2CBK45H	4.25	3.50	3.90	1D	2 ³ / ₈	1 ³ / ₄	1 ¹ / ₄	7/16	7/8	7/8	7/16	3/16	3.0
2CBK47H	4.45	3.70	4.10	2D	1 ³ / ₄	1 ³ / ₄	1 ¹ / ₄	7/16	—	7/8	7/16	3/16	2.8
2CBK50H	4.75	4.00	4.40	2D	1 ³ / ₄	1 ³ / ₄	1 ¹ / ₄	7/16	—	7/8	7/16	3/16	3.3
2CBK52H	4.95	4.20	4.60	2D	1 ³ / ₄	1 ³ / ₄	1 ¹ / ₄	7/16	—	7/8	7/16	3/16	3.6
2CBK55H	5.25	4.50	4.90	2D	1 ³ / ₄	1 ³ / ₄	1 ¹ / ₄	7/16	—	7/8	7/16	3/16	3.9
2CBK57H	5.45	4.70	5.10	2D	1 ³ / ₄	1 ³ / ₄	1 ¹ / ₄	7/16	—	7/8	7/16	3/16	4.3
2CBK60H	5.75	5.00	5.40	2D	1 ³ / ₄	1 ³ / ₄	1 ¹ / ₄	7/16	—	7/8	7/16	3/16	4.4
2CBK62H	5.95	5.20	5.60	2D	1 ³ / ₄	1 ³ / ₄	1 ¹ / ₄	7/16	—	7/8	7/16	3/16	4.5
2CBK65H	6.25	5.50	5.90	3D	1 ³ / ₄	1 ³ / ₄	1 ¹ / ₄	7/16	1/4	7/8	7/16	3/16	5.0
2CBK67H	6.45	5.70	6.10	3D	1 ³ / ₄	1 ³ / ₄	1 ¹ / ₄	7/16	1/4	7/8	7/16	3/16	5.1
2CBK70H	6.75	6.00	6.40	3D	1 ³ / ₄	1 ³ / ₄	1 ¹ / ₄	7/16	1/4	7/8	7/16	3/16	6.4
2CBK80H	7.75	7.00	7.40	3D	1 ³ / ₄	1 ³ / ₄	1 ¹ / ₄	7/16	1/4	7/8	7/16	3/16	7.6
2CBK90H	8.75	8.00	8.40	3D	1 ³ / ₄	1 ³ / ₄	1 ¹ / ₄	7/16	1/4	7/8	7/16	3/16	8.4
2CBK100H	9.75	9.00	9.40	3D	1 ³ / ₄	1 ³ / ₄	1 ¹ / ₄	7/16	1/4	7/8	7/16	3/16	9.3
2CBK110H	10.75	10.00	10.40	3D	1 ³ / ₄	1 ³ / ₄	1 ¹ / ₄	7/16	1/4	7/8	7/16	3/16	11.0
2CBK120H	11.75	11.00	11.40	3D	1 ³ / ₄	1 ³ / ₄	1 ¹ / ₄	7/16	1/4	7/8	7/16	3/16	13.1
2CBK130H	12.75	12.00	12.40	3D	1 ³ / ₄	1 ³ / ₄	1 ¹ / ₄	7/16	1/4	7/8	7/16	3/16	14.8
2CBK140H	13.75	13.00	13.40	3D	1 ³ / ₄	1 ³ / ₄	1 ¹ / ₄	7/16	1/4	7/8	7/16	3/16	16.2
2CBK160H	15.75	15.00	15.40	3D	1 ³ / ₄	1 ³ / ₄	1 ¹ / ₄	7/16	1/4	7/8	7/16	3/16	17.5
2CBK190H	18.75	18.00	18.40	3D	1 ³ / ₄	1 ³ / ₄	1 ¹ / ₄	7/16	1/4	7/8	7/16	3/16	21.5

Cast Iron Sheaves



Single Groove Sheaves for "4L" or "A"Belts and "5L" or "B" Belts

Catalog Number	Diameter			Type	Dimensions								wt less Bush
	O.D	P.D A	P.D 3L		OL	F	L	P	C	X	G	E	
3CBK45H	4.25	3.50	3.90	2T	25/8	2 1/2	1 1/4	1/2	11/16	7/8	7/16	3/16	3.9
3CBK47H	4.45	3.70	4.10	2T	2 11/16	2 1/2	1 1/4	1/2	11/16	7/8	7/16	3/16	4.2
3CBK50H	4.75	4.00	4.40	2T	3	2 1/2	1 1/4	1/2	11/16	7/8	7/16	3/16	4.4
3CBK52H	4.95	4.20	4.60	2T	3 3/16	2 1/2	1 1/4	1/2	11/16	7/8	7/16	3/16	4.7
3CBK55H	5.25	4.50	4.90	2T	3 1/2	2 1/2	1 1/4	1/2	11/16	7/8	7/16	3/16	5.1
3CBK57H	5.45	4.70	5.10	2T	3 11/16	2 1/2	1 1/4	1/2	11/16	7/8	7/16	3/16	5.3
3CBK60H	5.75	5.00	5.40	3T	4	2 1/2	1 1/4	1/2	11/16	7/8	7/16	3/16	5.6
3CBK62H	5.95	5.20	5.60	3T	4 3/16	2 1/2	1 1/4	1/2	11/16	7/8	7/16	3/16	5.8
3CBK65H	6.25	5.50	5.90	3T	4 1/2	2 1/2	1 1/4	29/32	9/32	7/8	7/16	3/16	5.8
3CBK67H	6.45	5.70	6.10	3T	4 11/16	2 1/2	1 1/4	29/32	9/32	7/8	7/16	3/16	6.2
3CBK70H	6.75	6.00	6.40	3T	5	2 1/2	1 1/4	29/32	9/32	7/8	7/16	3/16	6.6
3CBK80H	7.75	7.00	7.40	3T	6	2 1/2	1 1/4	27/32	11/32	7/8	7/16	3/16	8.3
3CBK90H	8.75	8.00	8.40	3T	7	2 1/2	1 1/4	27/32	11/32	7/8	7/16	3/16	9.8
3CBK100H	9.75	9.00	9.40	3T	8	2 1/2	1 1/4	27/32	11/32	7/8	7/16	3/16	10.9
3CBK110H	10.75	10.00	10.40	3T	9	2 1/2	1 1/4	27/32	11/32	7/8	7/16	3/16	12.1
3CBK120H	11.75	11.00	11.40	3T	10	2 1/2	1 1/4	27/32	11/32	7/8	7/16	3/16	14.3
3CBK130H	12.75	12.00	12.40	3T	11	2 1/2	1 1/4	25/32	13/32	7/8	7/16	3/16	16.2
3CBK140H	13.75	13.00	13.40	3T	12	2 1/2	1 1/4	25/32	13/32	7/8	7/16	3/16	17.7
3CBK160H	15.75	15.00	15.40	3T	14	2 1/2	1 1/4	25/32	13/32	7/8	7/16	3/16	21.0
3CBK190H	18.75	18.00	18.40	3T	17	2 1/2	1 1/4	25/32	13/32	7/8	7/16	3/16	25.8



New Standard Power Transmission

NSPT V-Pulleys Excellent Products in Transmission Parts



NSPT Customers do not need to waste time looking for the desired products anymore. Introducing the high-quality reliable NSPT transmission product series with world leading technologies.

GG25

The material is high quality cast iron with high intensity and durability, which is completely up to GG25 standard.

With advanced modeling technology, the pulleys have accurate dimensions, smooth and attractive surface.

NSPT V-Pulleys are manufactured by factory that has already achieved ISO-9001 Quality System Evaluation. Therefore, the products have the internationally acknowledged quality assurance.



ISO-9001



ISO9001



ISO9001



CNC

With standardized designs and well-equipped CNC machining system, the NSPT V-Pulleys have high precision and good interchangeability.

Each pulley is strictly and dynamically balanced with high precision machine tools. Un-balanced volume will be corrected accurately so that each pulley can be used safely and reliably.



Q6.3



V-pulleys

3V-5V-8V

Cast Iron Sheaves

P252



NSPT 3V-5V-8V series of pulleys with maximum 50" outside diameter and maximum 12 grooves can be respectively suitable for bushes of BTL, QTL and STL series.

NSPT is capable of designing and producing non-standard pulleys based on customers' needs.

P268



BTL V-Pulleys
Cast Iron Sheaves
3V-5V-8V

P286

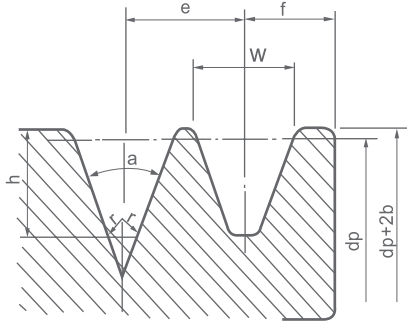


QTL V-Pulleys
Cast Iron Sheaves
3V-5V-8V

STL V-Pulleys
Cast Iron Sheaves
3V-5V-8V

V-pulleys

STANDARD SHEAVES



3V

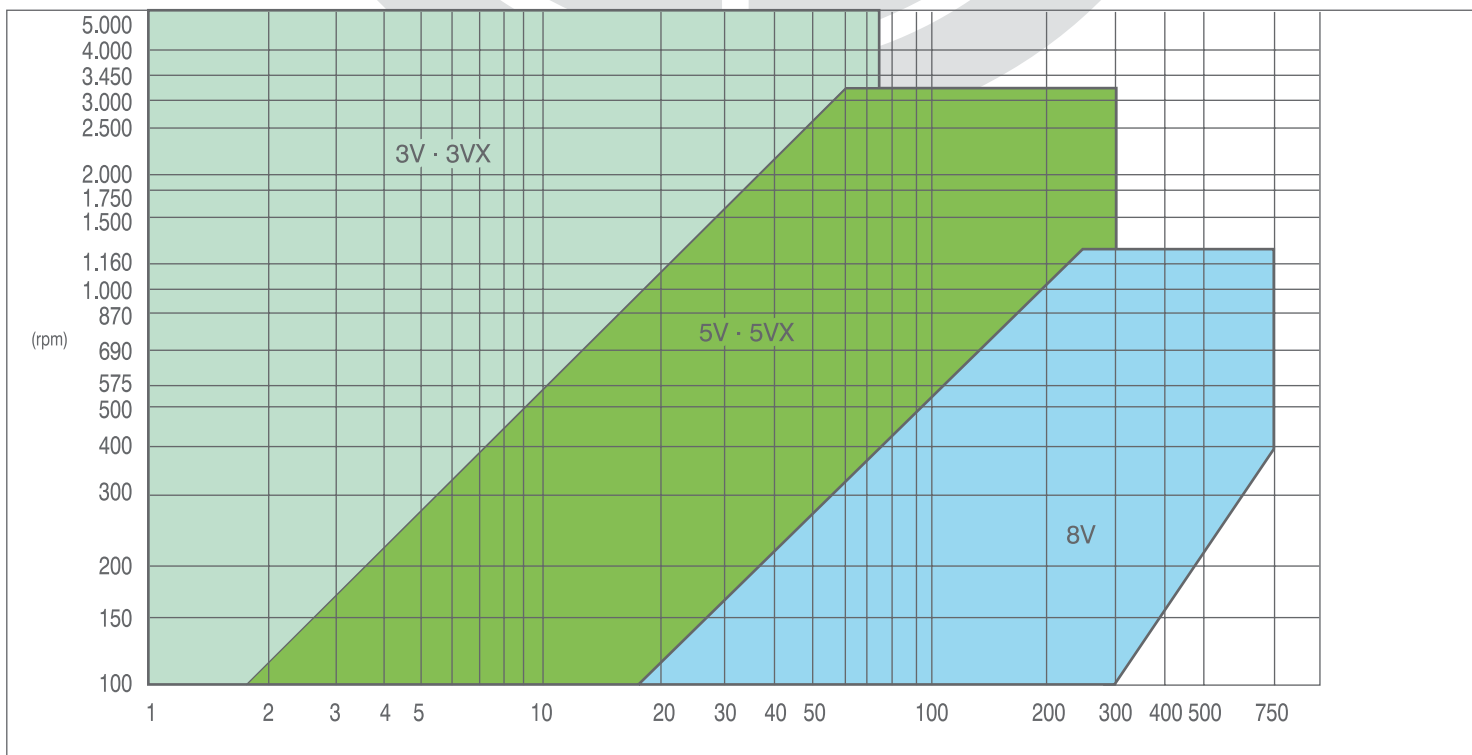
5V

8V



SECTION	DP	a.	w	h	b	e	f	BELT CROSS-SECTION DIMENSIONS
3V (9N/9J)	≤3.50	36	0.350	0.350	0.025	0.406	0.343	3/8"X5/16"
	3.50~6.30	38						
	6.34~11.80	40						
	>11.80	42						
5V (15N/15J)	≤10.00	38	0.600	0.600	0.050	0.690	0.500	5/8"X17/32"
	10.00~15.75	40						
	>15.75	42						
8V (25N/25J)	≤15.75	38	1.000	1.000	0.100	1.125	0.750	1"X7/8"
	15.75~22.00	40						
	>22.00	42						

DRAFT FOR FINISHED V-GRIPBELT SHEAVES



**T_{aper}
B_{ore}** **V-pulleys**

Cast Iron Sheaves

We provide the whole series of taper bore V-pulleys (3V, 5V, 8V.). They are made of high-grade GG25 cast iron with delicate finish and assembled with high precision. They can also be matched with BTL bushings for easy on-and-off use. They are suitable for all kinds of power transmission installations.



Commercial grade boxes can be provided to taper bore V-pulleys to the outside diameter below 12".



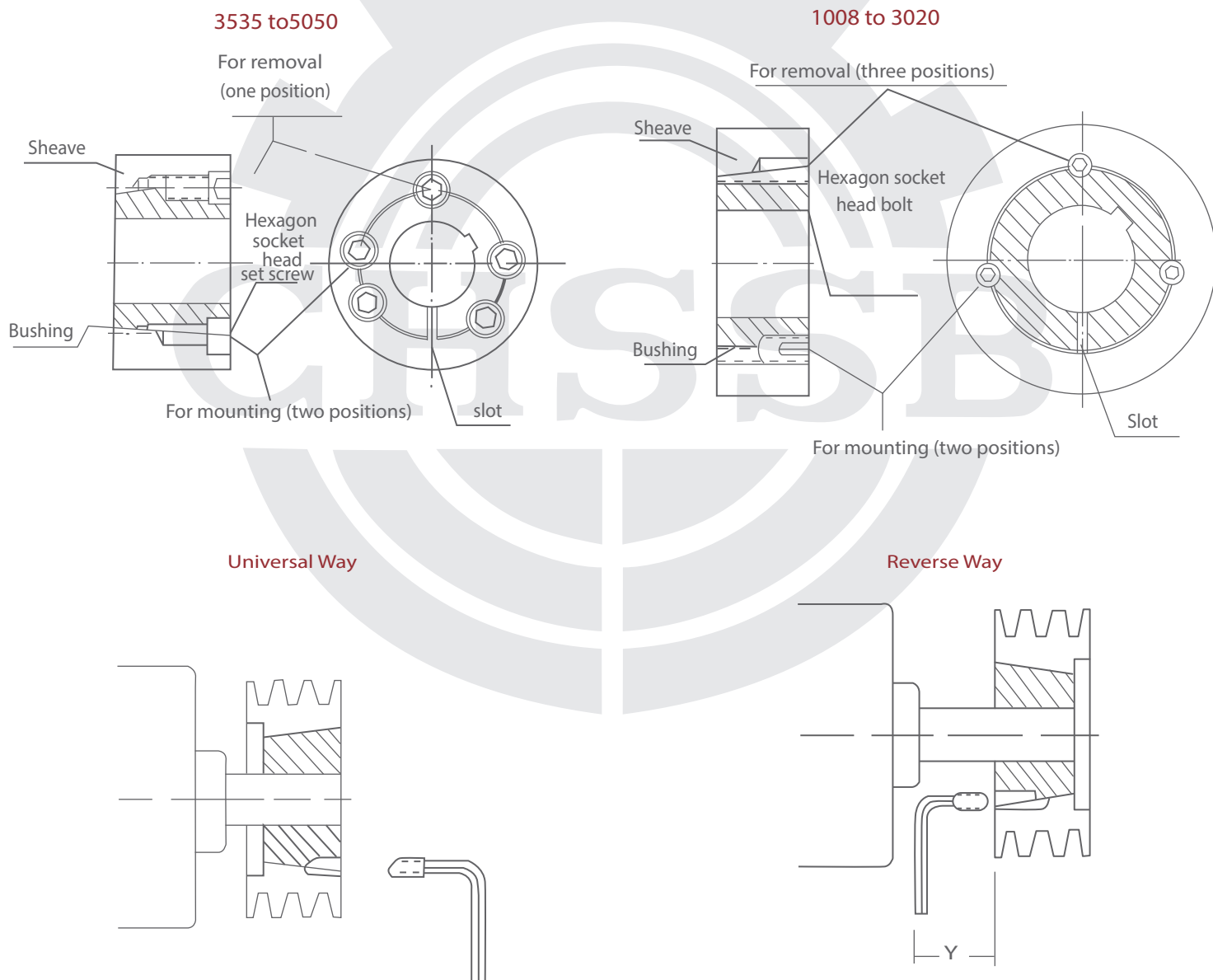
In-stock Items
Immediate Delivery

Cast Iron Sheaves

BTL Taper bushing

ASSEMBLING INSTRUCTIONS

NSPT V-belt pulleys with related NSPT taper bore bushings are a breakthrough of the traditional way of transmissions. The advantage of easy installation, high precision and good reliability are well appreciated by users throughout the industry. It can be used to fit with all shafts' sizes simply through different combinations of pulleys and taper bore bushings. The structure has been simplified to avoid re-machinery. This also makes its degree of commonality and the standardization of the belt pulleys.



*Screw fastening and removing clearance (Y) is necessary.

ASSEMBLING INSTRUCTIONS

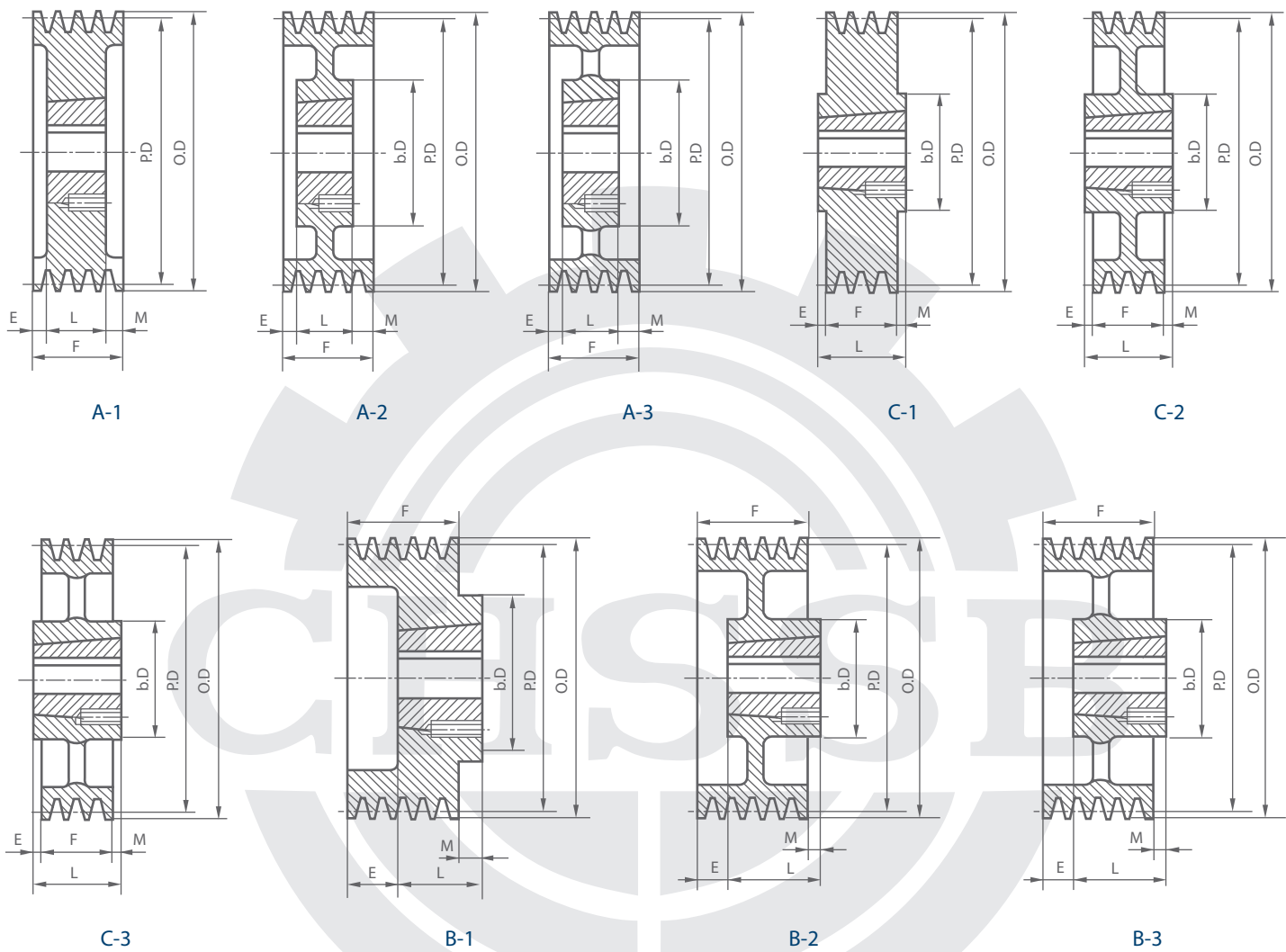
<p>TOOLS REQUIRED:</p> <ul style="list-style-type: none"> • torque wrench or hexagon wrench • socket wrench for Bushing • plastic hammer or mallet • screwdriver <p>*Before assembling, any dirt/paint/oil and grease must be removed from assembling parts.</p>	
<p>TO ASSEMBLE</p>	<p>TO REMOVE</p>
<p>Mount bushing onto sheave and fasten bolt but not very tightly</p>  <p>Bushing should not be fastened to the final position</p> <p>Bolts screwed-up about two third of the overall length</p>	<p>Remove bolt</p>  <p>Unscrew all bolts and remove</p>
<p>Insert to shaft</p>  <p>Bushing is still fastened but loosely</p> <p>Expand the bolt with screwdriver to insert easily.</p>	<p>Loosen taper-fitted bushing from shaft.</p>  <p>Give lubrication oil to bolt.</p> <p>Screw one of the bolts into a removal hole until bushing comes out about 5mm.</p> <p>If screwing is hard, hit on hub of sheave with hammer.</p>
<p>Fastening bolts to finish</p>  <p>Fasten with wrench (Torque wrench is better) if bolt is hard to be screwed.</p> <p>lightly hit on the hub of sheave with hammer</p> <p>Screw gradually and alternatively</p> <p>Give a little grease into a removal hole</p>	<p>Remove bushing and pulley.</p>  <p>Expand the bolt with screwdriver to remove from shaft easily.</p>

**T_{aper}
B_{ore}** V-pulleys

3V-5V-8V

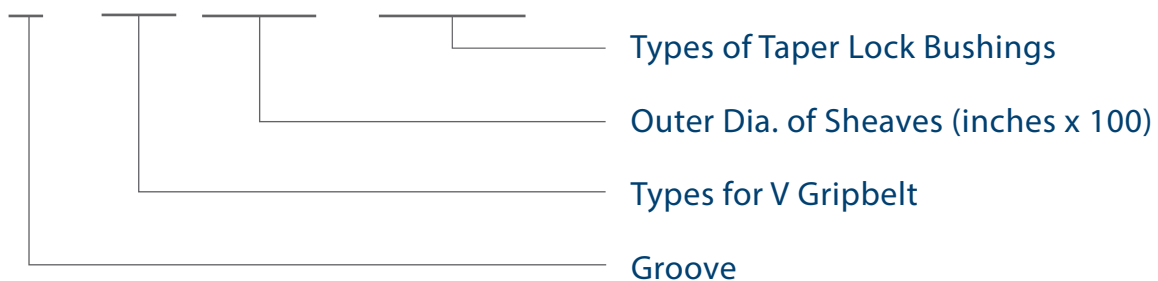
Cast Iron Sheaves

BTL Taper bushing



EXPRESSIONS OF TYPES FOR TAPER-LOCK SHEAVES
FOR STANDARD NARROW V BELT

1 - 3V 265 - 1108

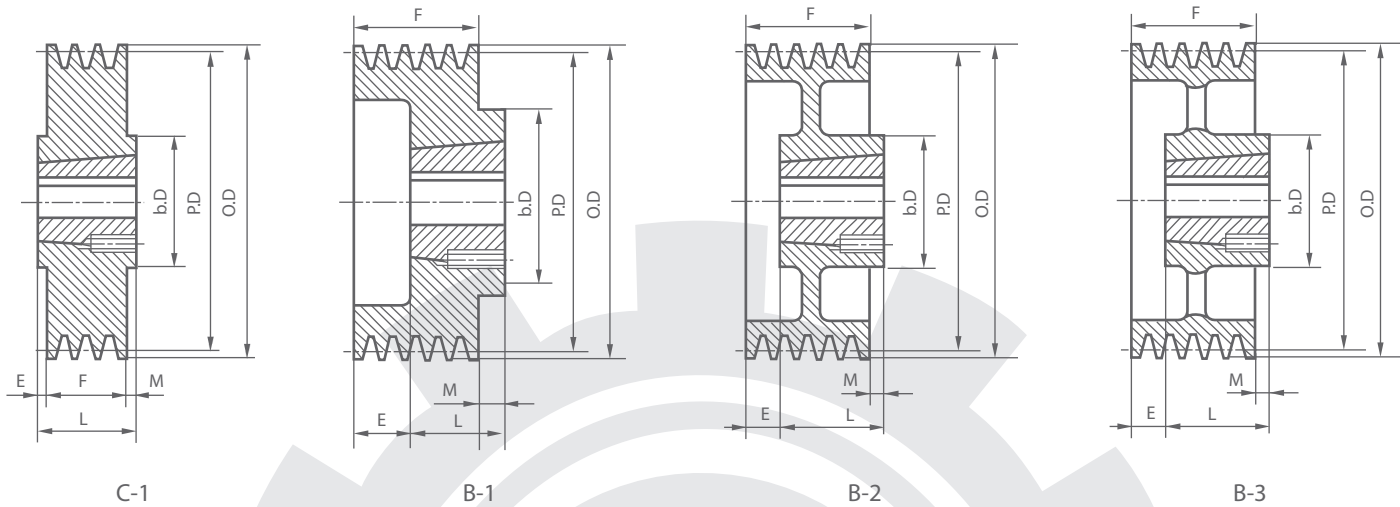


**T_{aper}
B_{ore}** V-pulleys

Cast Iron Sheaves

3V-5V-8V

BTL

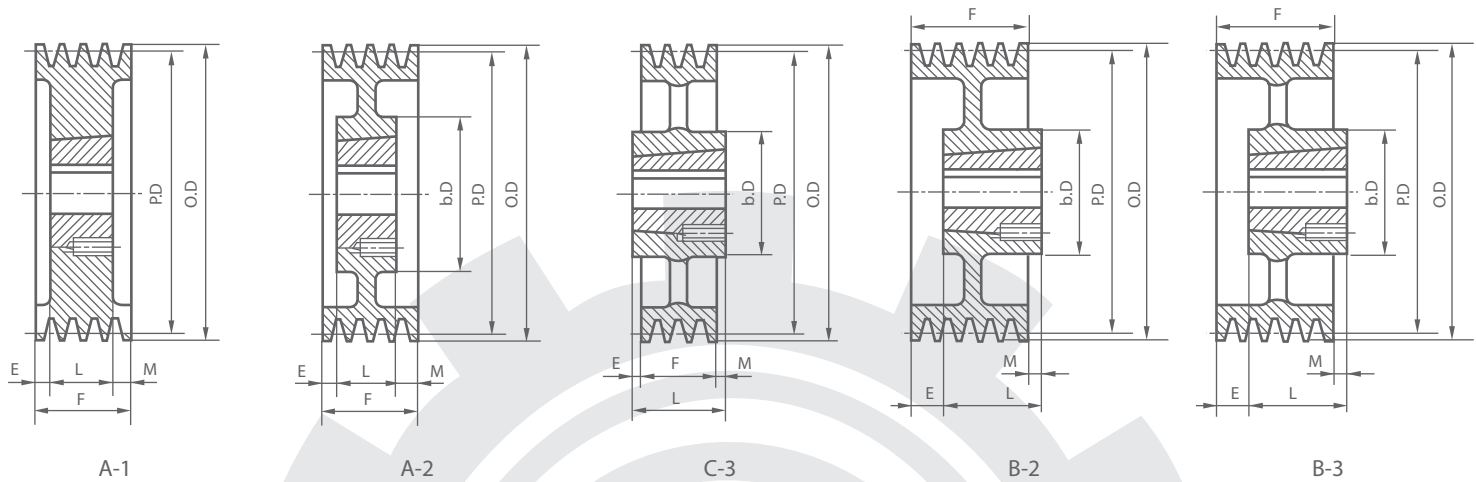


3V-1

F=11/16"(17.46mm)

SHEAVE	OD	PD	Bush Max Bore	Bush	Type	bD	E	L	M	WT Less Bush
1-3V265-1108	2.65	2.60	11/8	1108	C1	—	3/16	7/8	—	0.75
1-3V280-1108	2.80	2.75	11/8	1108	C1	—	3/16	7/8	—	0.85
1-3V300-1108	3.00	2.95	11/8	1108	C1	—	3/16	7/8	—	1.00
1-3V315-1108	3.15	3.10	11/8	1108	C1	—	3/16	7/8	—	1.00
1-3C335-1610	3.35	3.30	15/8	1610	B1	35/16	—	1	5/16	1.10
1-3V365-1610	3.65	3.60	15/8	1610	B1	35/16	—	1	5/16	1.30
1-3V412-1610	4.12	4.07	15/8	1610	B1	35/16	—	1	5/16	2.00
1-3V450-1610	4.50	4.45	15/8	1610	B1	35/16	—	1	5/16	2.30
1-3V475-1610	4.75	4.70	15/8	1610	B1	35/16	—	1	5/16	2.60
1-3V500-1610	5.00	4.95	15/8	1610	B1	35/16	—	1	5/16	2.90
1-3V530-1610	5.30	5.25	15/8	1610	B1	35/16	—	1	5/16	3.30
1-3V560-1610	5.60	5.55	15/8	1610	B1	35/16	—	1	5/16	3.70
1-3V600-1610	6.00	5.95	15/8	1610	B1	35/16	—	1	5/16	4.20
1-3V650-1610	6.50	6.45	15/8	1610	B1	35/16	—	1	5/16	5.00
1-3V690-1610	6.90	6.85	15/8	1610	B2	35/16	—	1	5/16	5.60
1-3V 800-2517	8.00	7.95	21/2	2517	B2	43/4	—	13/4	11/16	8.50
1-3V1060-2517	10.60	10.55	21/2	2517	B2	43/4	—	13/4	11/16	14.00
1-3V1400-2517*	14.00	13.95	21/2	2517	B3	43/4	—	13/4	15/16	20.00
1-3V1900-3020*	19.00	18.95	3	3020	B3	511/16	—	2	13/16	26.00

*F=11/16"thru 1-3V1400-2517,F=13/16"thru 1-3V1400-2517 and 1-3V1900-3020



3V-2

F=1 3/32"(27.78mm)

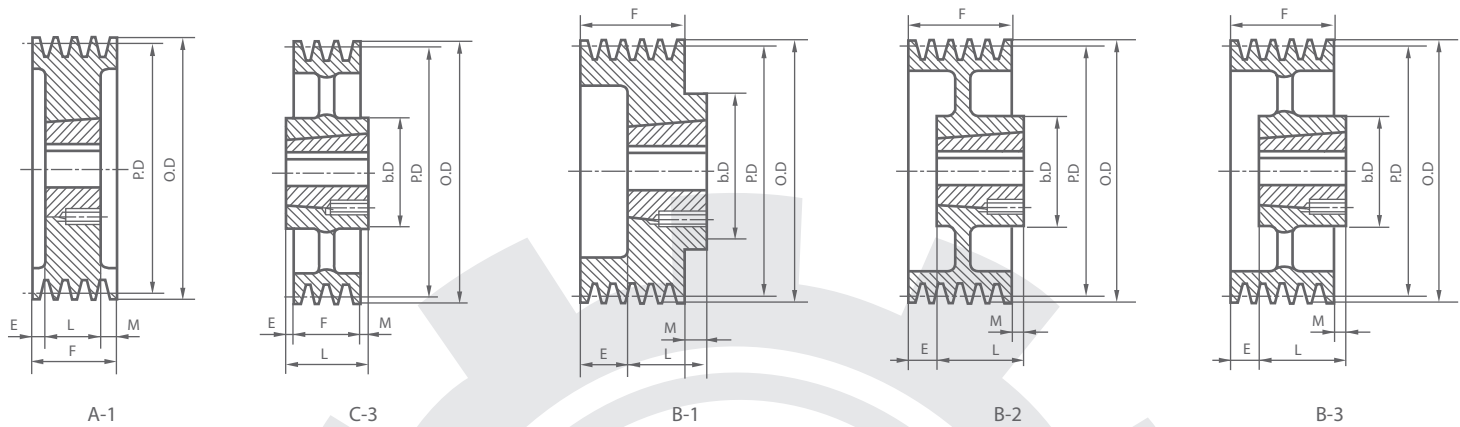
SHEAVE	OD	PD	Bush Max Bore	Bush	Type	bD	E	L	M	WT Less Bush
2-3V265-1108	2.65	2.60	11/8	1108	A1	—	7/32	7/8	—	0.75
2-3V280-1108	2.80	2.75	11/8	1108	A1	—	7/32	7/8	—	0.90
2-3V300-1210	3.00	2.95	11/4	1210	A1	—	3/32	1	—	1.40
2-3V315-1210	3.15	3.10	11/4	1210	A1	—	3/32	1	—	1.40
2-3V335-1610	3.35	3.30	15/8	1610	A1	—	3/32	1	—	1.50
2-3V365-1610	3.65	3.60	15/8	1610	A1	—	3/32	1	—	1.60
2-3V412-1610	4.12	4.07	15/8	1610	A1	—	3/32	1	—	2.10
2-3V450-1610	4.50	4.45	15/8	1610	A1	—	3/32	1	—	2.70
2-3V475-1610	4.75	4.70	15/8	1610	A1	—	3/32	1	—	3.10
2-3V500-1610	5.00	4.95	15/8	1610	A1	—	3/32	1	—	3.60
2-3V530-1610	5.30	5.25	15/8	1610	A1	—	3/32	1	—	4.20
2-3V560-1610	5.60	5.55	15/8	1610	A1	—	3/32	1	—	4.80
2-3V600-1610	6.00	5.95	15/8	1610	A1	—	3/32	1	—	5.80
2-3V650-1610	6.50	6.45	15/8	1610	A1	—	3/32	1	—	7.00
2-3V690-1610	6.90	6.85	15/8	1610	A2	35/16	3/32	1	—	8.00
2-3V 800-2517	8.00	7.95	21/2	2517	B2	43/4	—	13/4	21/32	11
2-3V1060-2517	10.60	10.55	21/2	2517	B2	43/4	—	13/4	21/32	15
2-3V1400-2517	14.00	13.95	21/2	2517	B3	43/4	—	13/4	21/32	22
2-3V1900-3020	19.00	18.95	3	3020	B3	511/16	—	2	29/32	32
2-3V2500-3020	25.00	24.95	3	3020	C3	511/16	1/8	2	25/32	45

**T_{aper}
B_{ore}** V-pulleys

Cast Iron Sheaves

3V-5V-8V

BTL



3V-3

F=1 1/2"(38.10mm)

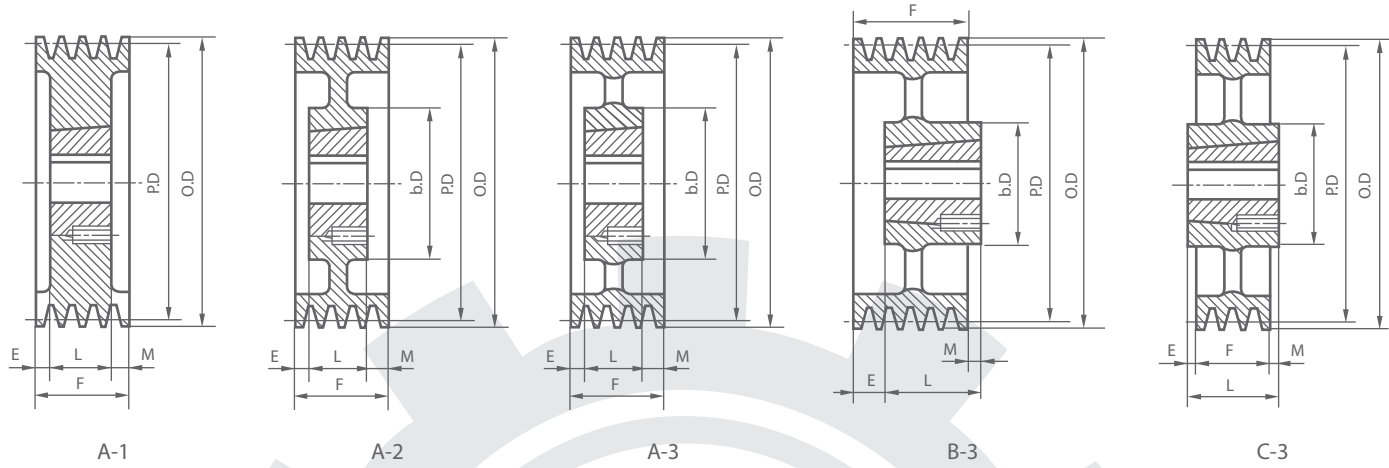
SHEAVE	OD	PF	Bush Max Bore	Bush	Type	bD	E	L	M	WT Less Bush
3-3V265-1108	2.65	2.60	11/8	1108	A1	—	5/8	7/8	—	1.0
3-3V280-1108	2.80	2.75	11/8	1108	A1	—	5/8	7/8	—	1.1
3-3V300-1210	3.00	2.95	11/4	1210	A1	—	1/2	1	—	1.8
3-3V315-1210	3.15	3.10	11/4	1210	A1	—	1/2	1	—	1.8
3-3V335-1610	3.35	3.30	15/8	1610	A1	—	1/2	1	—	1.9
3-3V365-1610	3.65	3.60	15/8	1610	A1	—	1/2	1	—	2.0
3-3V412-1610	4.12	4.07	15/8	1610	A1	—	1/2	1	—	2.6
3-3V450-1610	4.50	4.45	15/8	1610	A1	—	1/2	1	—	3.2
3-3V475-1610	4.75	4.70	15/8	1610	A1	—	1/2	1	—	3.7
3-3V500-1610	5.00	4.95	15/8	1610	A1	—	1/2	1	—	4.2
3-3V530-1610	5.30	5.25	15/8	1610	A1	—	1/2	1	—	4.8
3-3V560-1610	5.60	5.55	15/8	1610	A1	—	1/2	1	—	5.5
3-3V600-2517	6.00	5.95	21/2	2517	B1	43/4	—	13/4	1/4	7.4
3-3V650-2517	6.50	6.45	21/2	2517	B1	43/4	—	13/4	1/4	9.1
3-3V690-2517	6.90	6.85	21/2	2517	B1	43/4	—	13/4	1/4	10
3-3V 800-2517	8.00	7.95	21/2	2517	B2	43/4	—	13/4	1/4	15
3-3V1060-2517	10.60	10.55	21/2	2517	B2	43/4	—	13/4	1/4	18
3-3V1400-2517	14.00	13.95	21/2	2517	B3	43/4	—	13/4	1/4	25
3-3V1900-3020	19.00	18.95	3	3020	B3	511/16	—	2	1/2	34
3-3V2500-3020	25.00	24.95	3	3020	B3	511/16	—	2	1/2	49
3-3V3350-3020	33.50	33.45	3	3020	C3	511/16	1/4	2	1/4	67

**T_{aper}
B_{ore}** V-pulleys

Cast Iron Sheaves

3V-5V-8V

BTL



3V-4

F=1 29/32"(48.42mm)

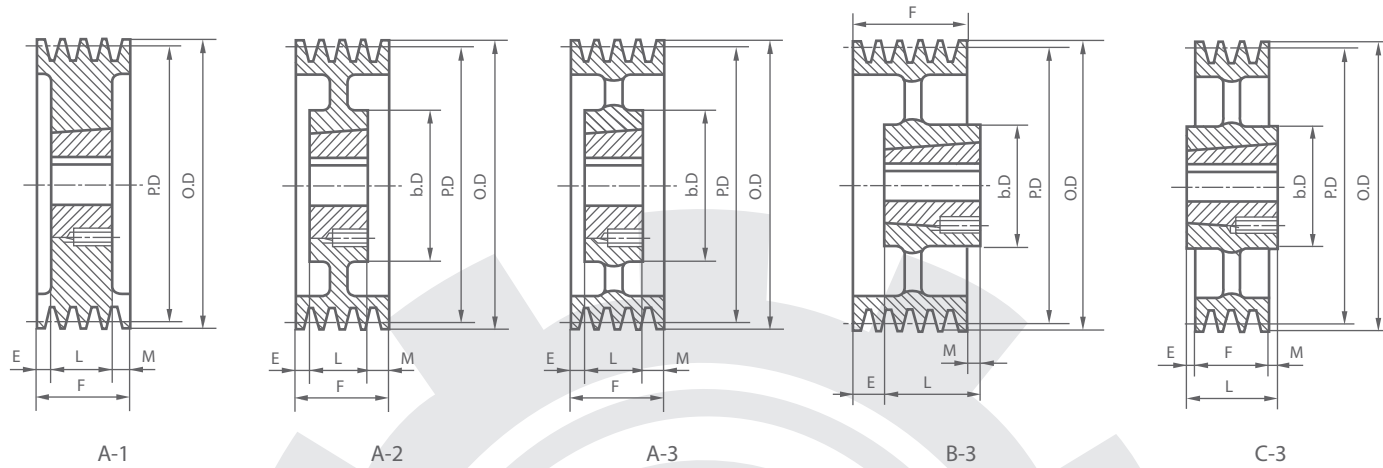
SHEAVE	OD	PD	Bush Max Bore	Bush	Type	bD	E	L	M	WT Less Bush
4-3V265-1108	2.65	2.60	11/8	1108	A1	—	11/32	7/8	—	1.2
4-3V280-1108	2.80	2.75	11/8	1108	A1	—	11/32	7/8	—	1.3
4-3V300-1210	3.00	2.95	11/4	1210	A1	—	29/32	1	—	1.9
4-3V315-1210	3.15	3.10	11/4	1210	A1	—	29/32	1	—	2.1
4-3V335-1610	3.35	3.30	15/8	1610	A1	—	29/32	1	—	2.2
4-3V365-1610	3.65	3.60	15/8	1610	A1	—	29/32	1	—	2.6
4-3V412-1610	4.12	4.07	15/8	1610	A1	—	29/32	1	—	3.0
4-3V450-2517	4.50	4.45	15/8	1610	A1	—	29/32	1	—	3.7
4-3V475-2517	4.75	4.70	15/8	1610	A1	—	29/32	1	—	4.2
4-3V500-2517	5.00	4.95	15/8	1610	A1	—	29/32	1	—	4.8
4-3V530-1610	5.30	5.25	15/8	1610	A1	—	29/32	1	—	5.5
4-3V560-1610	5.60	5.55	15/8	1610	A1	—	29/32	1	—	6.2
4-3V600-2517	6.00	5.95	21/2	2517	A1	—	5/32	13/4	—	8.0
4-3V650-2517	6.50	6.45	21/2	2517	A1	—	5/32	13/4	—	10
4-3V690-2517	6.90	6.85	21/2	2517	A1	—	5/32	13/4	—	12
4-3V 800-2517	8.00	7.95	21/2	2517	A2	43/4	5/32	13/4	—	18
4-3V1060-2517	10.60	10.55	21/2	2517	A2	43/4	5/32	13/4	—	20
4-3V1400-2517	14.00	13.95	21/2	2517	A3	43/4	—	13/4	5/32	21
4-3V1900-3020	19.00	18.95	3	3020	B3	511/16	—	2	3/32	45
4-3V2500-3020	25.00	24.95	3	3020	B3	511/16	—	2	3/32	63
4-3V3350-3030	33.50	33.45	3	3030	C3	511/16	35/64	3	35/64	81

**T_{aper}
B_{ore}** V-pulleys

Cast Iron Sheaves

3V-5V-8V

BTL



3V-5

F=2 5/16"(58.74mm)

SHEAVE	OD	PD Bore	Bush Max	Bush	Type	bD	E	L	M Bush	WT Less
5-3V475-2517	4.75	4.70	2 1/2	2517	A1	—	9/16	1 3/4	—	3.8
5-3V500-2517	5.00	4.95	2 1/2	2517	A1	—	9/16	1 3/4	—	4.8
5-3V530-2517	5.30	5.25	2 1/2	2517	A1	—	9/16	1 3/4	—	5.9
5-3V560-2517	5.60	5.55	2 1/2	2517	A1	—	9/16	1 3/4	—	7.0
5-3V600-2517	6.00	5.95	2 1/2	2517	A1	—	9/16	1 3/4	—	8.7
5-3V650-2517	6.50	6.45	2 1/2	2517	A1	—	9/16	1 3/4	—	11.0
5-3V690-2517	6.90	6.85	2 1/2	2517	A1	—	9/16	1 3/4	—	13.0
5-3V 800-2517	8.00	7.95	2 1/2	2517	A2	4 3/4	9/16	1 3/4	—	19.0
5-3V1060-2517	10.60	10.55	2 1/2	2517	A2	4 3/4	9/16	1 3/4	—	26.0
5-3V1400-2517	14.00	13.95	2 1/2	2517	A3	4 3/4	—	1 3/4	9/16	34.0
5-3V1900-3030	19.00	18.95	3	3030	B3	5 11/16	—	3	1 1/16	47.0
5-3V2500-3030	25.00	24.95	3	3030	B3	5 11/16	—	3	1 1/16	66.0
5-3V3350-3030	33.50	33.45	3	3030	C3	5 11/16	11/32	3	1 1/32	86.0

3V-6

F=2 23/32"(69.06mm)

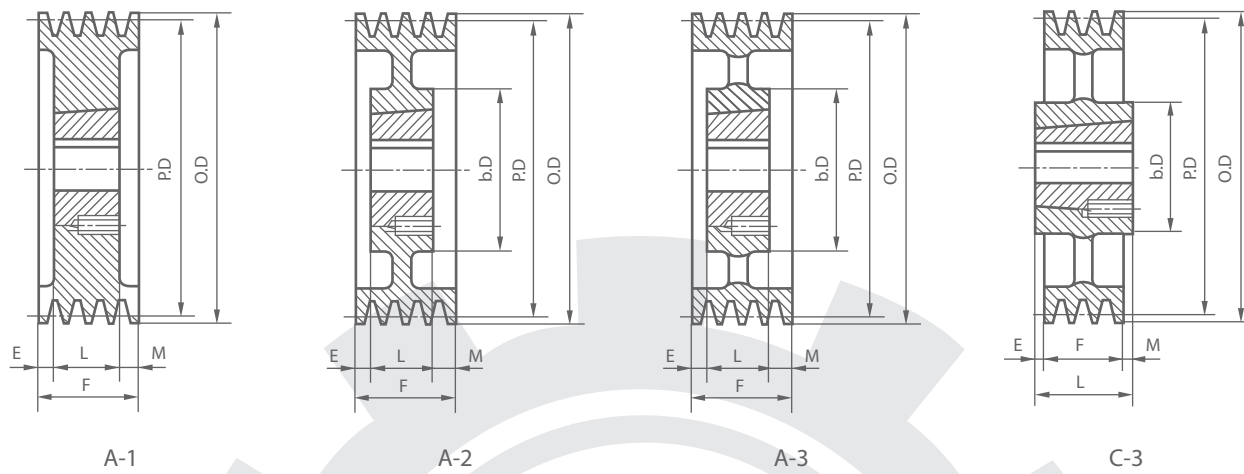
SHEAVE	OD	PD Bore	Bush Max	Bush	Type	bD	E	L	M Bush	WT Less
6-3V475-2517	4.75	4.70	2 1/2	2517	A1	—	31/32	1 3/4	—	4.4
6-3V500-2517	5.00	4.95	2 1/2	2517	A1	—	31/32	1 3/4	—	5.4
6-3V530-2517	5.30	5.25	2 1/2	2517	A1	—	31/32	1 3/4	—	6.5
6-3V560-2517	5.60	5.55	2 1/2	2517	A1	—	31/32	1 3/4	—	7.5
6-3V600-2517	6.00	5.95	2 1/2	2517	A1	—	31/32	1 3/4	—	9.5
6-3V650-2517	6.50	6.45	2 1/2	2517	A1	—	31/32	1 3/4	—	12.0
6-3V690-2517	6.90	6.85	2 1/2	2517	A1	—	31/32	1 3/4	—	13.0
6-3V 800-2517	8.00	7.95	2 1/2	2517	A1	—	31/32	1 3/4	—	20.0
6-3V1060-2517	10.60	10.55	2 1/2	2517	A2	4 3/4	31/32	1 3/4	—	29.0
6-3V1400-2517	14.00	13.95	2 1/2	2517	A3	4 3/4	—	1 3/4	31/32	41.0
6-3V1900-3030	19.00	18.95	3	3030	B3	5 11/16	—	3	9/32	51.0
6-3V2500-3030	25.00	24.95	3	3030	B3	5 11/16	—	3	9/32	72.0
6-3V3350-3030	33.50	33.45	3	3030	C3	5 11/16	9/64	3	9/64	92.0

**T_{aper}
B_{ore}** V-pulleys

Cast Iron Sheaves

3V-5V-8V

BTL



3V-8

F=3 17/32"(89.70mm)

SHEAVE	OD	PD	Bush Max Bore	Bush	Type	BD	E	L	M	WT Less Bush
8-3V475-2517	4.75	4.70	21/2	2517	A1	—	125/32	13/4	—	5.8
8-3V500-2517	5.00	4.95	21/2	2517	A1	—	125/32	13/4	—	6.4
8-3V530-2517	5.30	5.25	21/2	2517	A1	—	11/32	13/4	3/4	7.8
8-3V560-2517	5.60	5.55	21/2	2517	A1	—	1/4	13/4	117/32	9.2
8-3V600-2517	6.00	5.95	21/2	2517	A1	—	1/4	13/4	117/32	11.0
8-3V650-2517	6.50	6.45	21/2	2517	A1	—	1/4	13/4	117/32	14.0
8-3V690-2517	6.90	6.85	21/2	2517	A1	—	1/4	13/4	117/32	16.0
8-3V 800-3020	8.00	7.95	3	3020	A1	—	1/2	2	11/32	22.0
8-3V1060-3020	10.60	10.55	3	3020	A2	511/16	1/2	2	11/32	28.0
8-3V1400-3020	14.00	13.95	3	3020	A3	511/16	21/32	2	7/8	52.0
8-3V1900-3535	19.00	18.95	315/16	3535	A3	61/2	—	31/2	1/32	67.0
8-3V2500-3535	25.00	24.95	315/16	3535	A3	61/2	—	31/2	1/32	93.0
8-3V3350-4040	33.50	33.45	47/16	4040	C3	73/16	15/64	4	15/64	157.0

3V-10

F=4 11/32"(110.33mm)

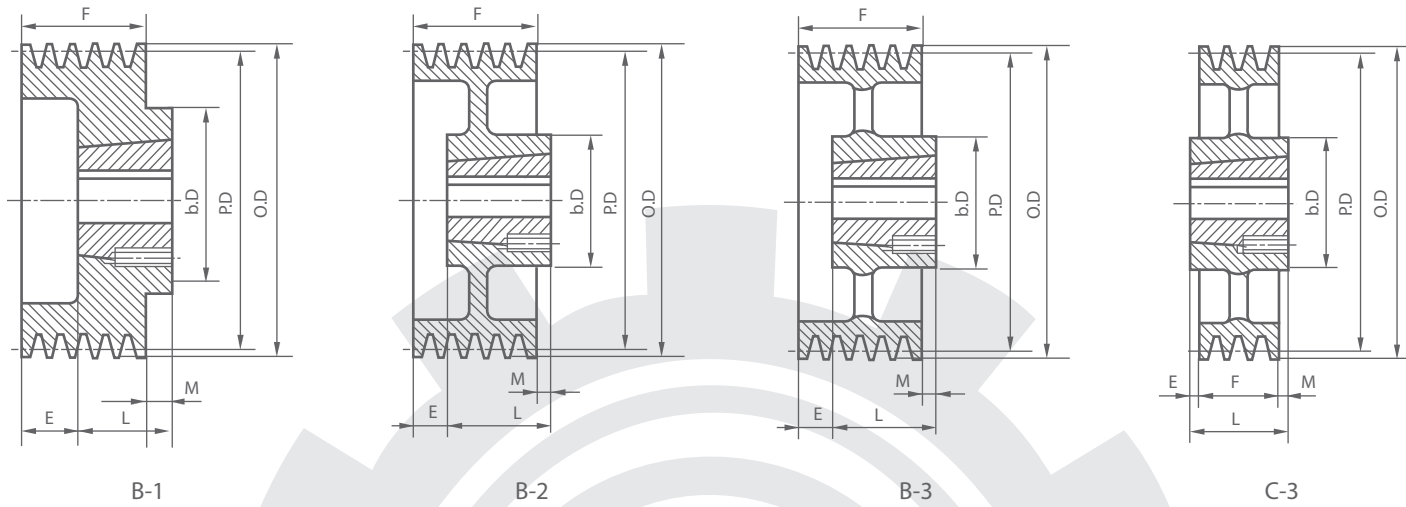
SHEAVE	OD	PD	Bush Max Bore	Bush	Type	bD	E	L	M	WT Less Bush
10-3V475-2517	4.75	4.70	21/2	2517	A1	—	219/32	13/4	—	7
10-3V500-2517	5.00	4.95	21/2	2517	A1	—	219/32	13/4	—	8
10-3V530-2517	5.30	5.25	21/2	2517	A1	—	127/32	13/4	3/4	9
10-3V560-2517	5.60	5.55	21/2	2517	A1	—	1/2	13/4	23/32	11
10-3V600-2517	6.00	5.95	21/2	2517	A1	—	1/2	13/4	23/32	13
10-3V650-2517	6.50	6.45	21/2	2517	A1	—	1/2	13/4	23/32	15
10-3V690-2517	6.90	6.85	21/2	2517	A1	—	1/2	13/4	23/32	18
10-3V 800-3020	8.00	7.95	3	3020	A1	—	27/32	2	11/2	23
10-3V1060-3020	10.60	10.55	3	3020	A2	511/16	27/32	2	11/2	31
10-3V1400-3535	14.00	13.95	315/16	3535	A2	61/2	—	31/2	27/32	50
10-3V1900-3535	19.00	18.95	315/16	3535	A3	61/2	—	31/2	27/32	75
10-3V2500-4040	25.00	24.95	47/16	4040	A3	73/16	—	4	11/32	122
10-3V3350-4040	33.50	33.45	47/16	4040	C3	73/16	11/64	4	11/64	172

**T_{aper}
B_{ore}** V-pulleys

Cast Iron Sheaves

3V-5V-8V

BTL



5V-2

F=1 11/16"(42.86mm)

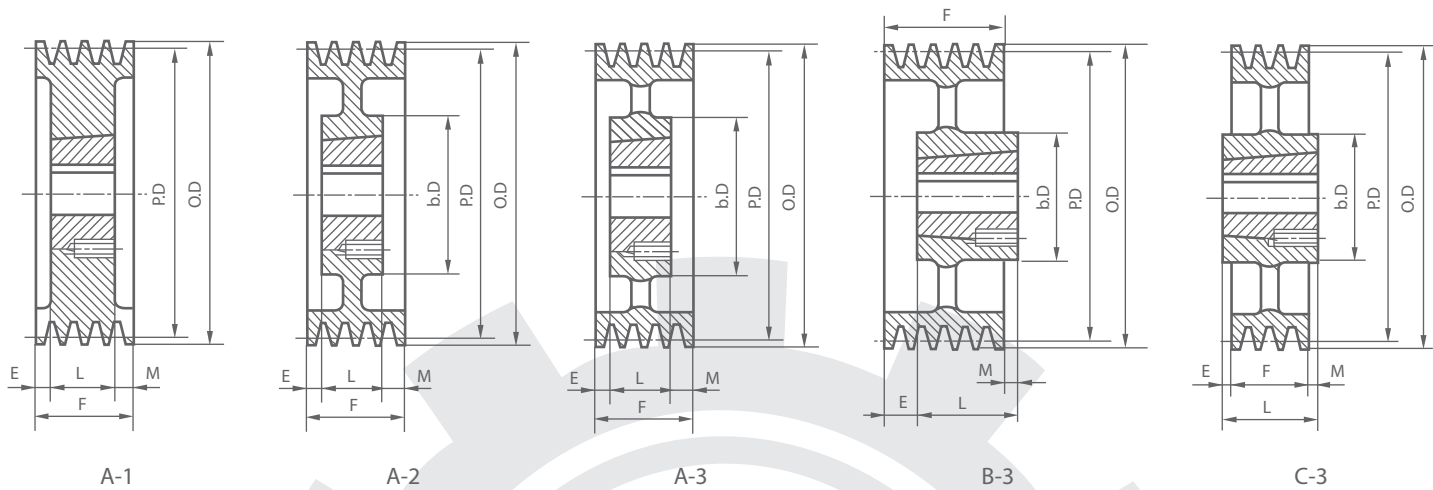
SHEAVE	OD	PD	Bush Max Bore	Bush	Type	bD	E	L	M	WT Less Bush
2-5V710-2517	7.10	7.00	2 1/2	2517	B1	—	—	1 3/4	1/16	10
2-5V750-2517	7.50	7.40	2 1/2	2517	B1	—	—	1 3/4	1/16	12
2-5V800-2517	8.00	7.90	2 1/2	2517	B1	—	—	1 3/4	1/16	14
2-5V850-2517	8.50	8.40	2 1/2	2517	B2	4 3/4	—	1 3/4	1/16	15
2-5V900-2517	9.00	8.90	2 1/2	2517	B2	4 3/4	—	1 3/4	1/16	16
2-5V925-3020	9.25	9.15	3	3020	B1	—	—	2	5/16	17
2-5V975-3020	9.75	9.65	3	3020	B1	—	—	2	5/16	19
2-5V1030-3020	10.30	10.20	3	3020	B2	5 11/16	—	2	5/16	22
2-5V1090-3020	10.90	10.80	3	3020	B2	5 11/16	—	2	5/16	24
2-5V1180-3020	11.80	11.70	3	3020	B2	5 11/16	—	2	5/16	26
2-5V1250-3020	12.50	12.40	3	3020	B2	5 11/16	—	2	5/16	28
2-5V1320-3020	13.20	13.10	3	3020	B3	5 11/16	—	2	5/16	29
2-5V1400-3020	14.00	13.90	3	3020	B3	5 11/16	—	2	5/16	33
2-5V1500-3020	15.00	14.90	3	3020	B3	5 11/16	—	2	5/16	35
2-5V1600-3020	16.00	15.90	3	3020	B3	5 11/16	—	2	5/16	45
2-5V2120-3535	21.20	21.10	3 1/2	3535	C3	6 1/2	3/8	3 1/2	17/16	68
2-5V2800-3535	28.00	27.90	3 1/2	3535	C3	6 1/2	3/8	3 1/2	17/16	96

**T_{aper}
B_{ore}** V-pulleys

3V-5V-8V

Cast Iron Sheaves

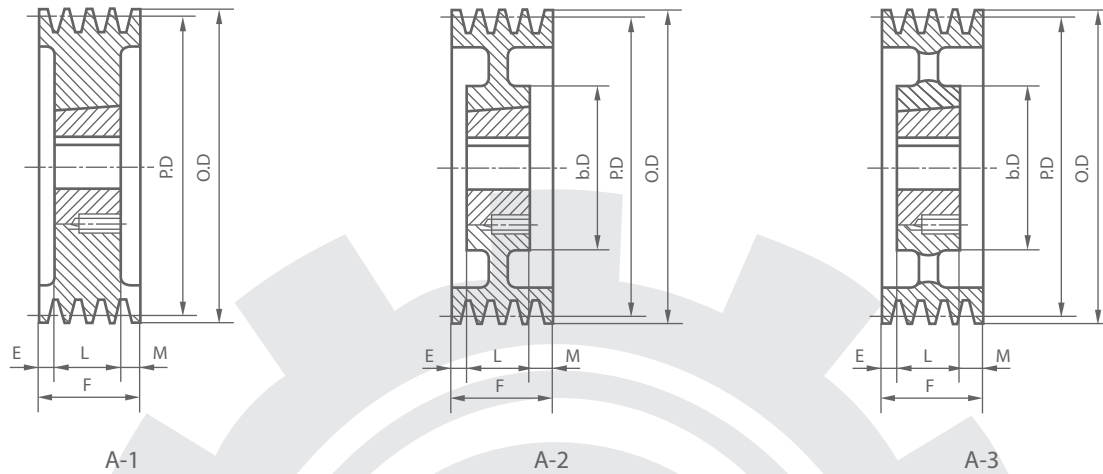
BTL



5V-3

F=2 3/8"(60.33mm)

SHEAVE	OD	PD	Bush Max Bore	Bush	Type	bD	E	L	M	WT Less Bush
3-5V710-2517	7.10	7.00	2 1/2	2517	A1	—	5/8	1 3/4	—	11
3-5V750-2517	7.50	7.40	2 1/2	2517	A1	—	5/8	1 3/4	—	14
3-5V800-2517	8.00	7.90	2 1/2	2517	A1	—	5/8	1 3/4	—	16
3-5V850-2517	8.50	8.40	2 1/2	2517	A2	4 3/4	5/8	1 3/4	—	17
3-5V900-2517	9.00	8.90	2 1/2	2517	A2	4 3/4	5/8	1 3/4	—	19
3-5V925-3020	9.25	9.15	3	3020	A1	—	—	2	3/8	23
3-5V975-3020	9.75	9.65	3	3020	A1	—	—	2	3/8	24
3-5V1030-3020	10.30	10.20	3	3020	A2	5 11/16	—	2	3/8	27
3-5V1090-3020	10.90	10.80	3	3020	A2	5 11/16	—	2	3/8	28
3-5V1180-3020	11.80	11.70	3	3020	A2	5 11/16	—	2	3/8	30
3-5V1250-3020	12.50	12.40	3	3020	A2	5 11/16	—	2	3/8	32
3-5V1320-3020	13.20	13.10	3	3020	A2	5 11/16	—	2	3/8	34
3-5V1400-3020	14.00	13.90	3	3020	A3	5 11/16	—	2	3/8	36
3-5V1500-3020	15.00	14.90	3	3020	A3	5 11/16	—	2	3/8	41
3-5V1600-3020	16.00	15.90	3	3020	A3	5 11/16	—	2	3/8	50
3-5V2120-3535	21.20	21.10	3 15/16	3535	B3	6 1/2	—	3 1/2	1 1/8	65
3-5V2800-3535	28.00	27.90	3 15/16	3535	B3	6 1/2	—	3 1/2	1 1/8	99
3-5V3750-4040	37.50	37.40	4 7/16	4040	C3	7 3/16	1/2	4	1 1/8	172
3-5V5000-4040	50.00	49.90	4 7/16	4040	C3	7 3/16	1/2	4	1 1/8	201



5V-4

F=3 1/16"(77.79mm)

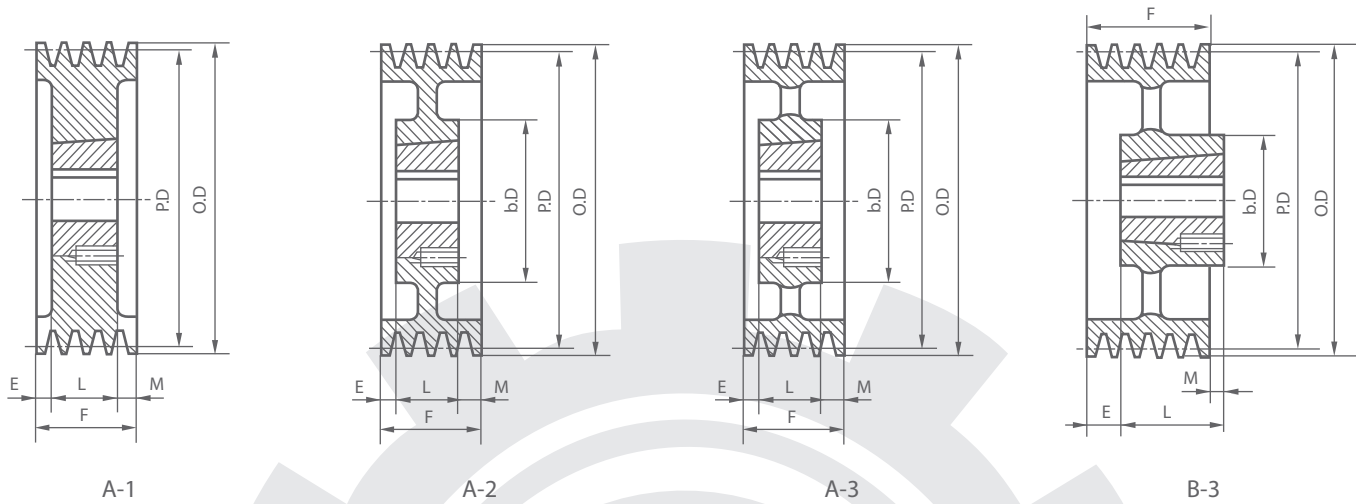
SHEAVE	OD	PD	Bush Max Bore	Bush	Type	bD	E	L	M	WT Less Bush
4-5V710-2517	7.10	7.00	2 1/2	2517	A1	—	15/16	1 3/4	—	14
4-5V750-2517	7.50	7.40	2 1/2	2517	A1	—	15/16	1 3/4	—	16
4-5V800-2517	8.00	7.90	2 1/2	2517	A1	—	15/16	1 3/4	—	17
4-5V850-2517	8.50	8.40	2 1/2	2517	A2	4 3/4	15/16	1 3/4	—	18
4-5V900-2517	9.00	8.90	2 1/2	2517	A2	4 3/4	15/16	1 3/4	—	19
4-5V925-3020	9.25	9.15	3	3020	A1	—	1/2	2	9/16	22
4-5V975-3020	9.75	9.65	3	3020	A1	—	1/2	2	9/16	27
4-5V1030-3020	10.30	10.20	3	3020	A2	5 11/16	1/2	2	9/16	28
4-5V1090-3020	10.90	10.80	3	3020	A2	5 11/16	1/2	2	9/16	31
4-5V1180-3020	11.80	11.70	3	3020	A2	5 11/16	1/2	2	9/16	35
4-5V1250-3020	12.50	12.40	3	3020	A2	5 11/16	—	2	1 1/16	44
4-5V1320-3020	13.20	13.10	3	3020	A2	5 11/16	—	2	1 1/16	48
4-5V1400-3535	14.00	13.90	3 15/16	3535	B3	6 1/2	—	3 1/2	7/16	52
4-5V1500-3535	15.00	14.90	3 15/16	3535	B3	6 1/2	—	3 1/2	7/16	54
4-5V1600-3535	16.00	15.90	3 15/16	3535	B3	6 1/2	—	3 1/2	7/16	60
4-5V2120-3535	21.20	21.10	3 15/16	3535	B3	6 1/2	—	3 1/2	7/16	72
4-5V2800-3535	28.00	27.90	3 15/16	3535	B3	6 1/2	—	3 1/2	7/16	125
4-5V3750-4040	37.50	37.40	4 7/16	4040	B3	7 3/16	—	4	15/16	189
4-5V5000-4040	50.00	49.90	4 7/16	4040	B3	7 3/16	—	4	15/16	371

**T_{aper}
B_{ore}** V-pulleys

Cast Iron Sheaves

3V-5V-8V

BTL



5V-5

F=3 3/4"(95.25mm)

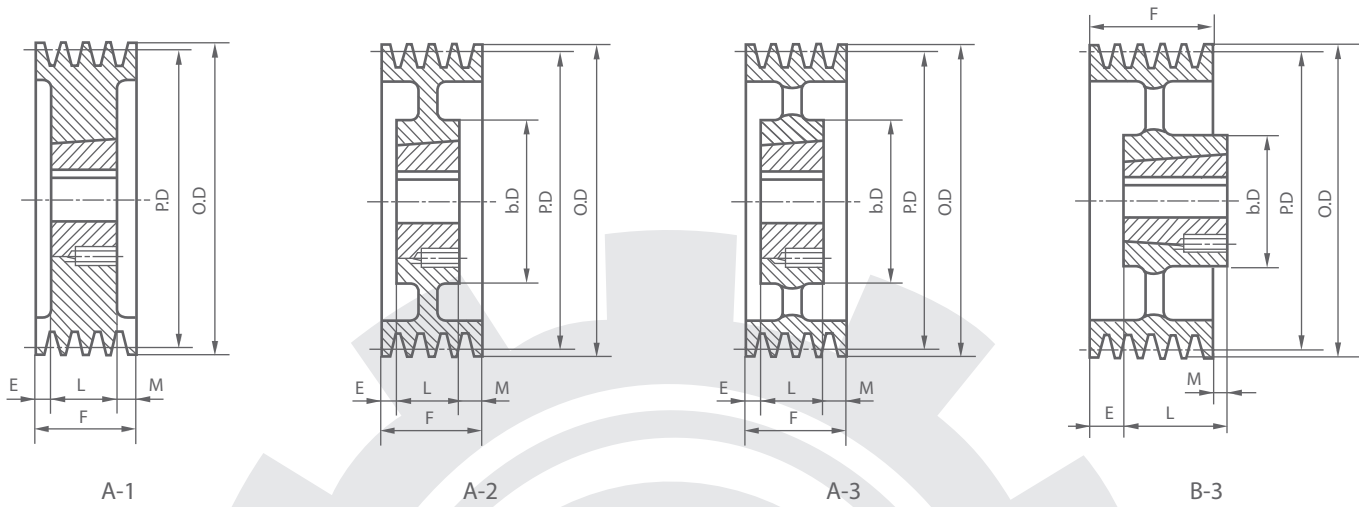
SHEAVE	OD	PD	Bush Max Bore	Bush	Type	bD	E	L	M	WT Less Bush
5-5V710-3020	7.10	7.00	3	3020	A1	—	1/2	2	1 1/4	15
5-5V750-3020	7.50	7.40	3	3020	A1	—	1/2	2	1 1/4	17
5-5V800-3020	8.00	7.90	3	3020	A1	—	1/2	2	1 1/4	20
5-5V850-3020	8.50	8.40	3	3020	A1	—	1/2	2	1 1/4	22
5-5V900-3020	9.00	8.90	3	3020	A1	—	1/2	2	1 1/4	30
5-5V925-3020	9.25	9.15	3	3020	A1	—	1/2	2	1 1/4	36
5-5V975-3020	9.75	9.65	3	3020	A1	—	1/2	2	1 1/4	37
5-5V1030-3020	10.30	10.20	3	3020	A2	5/32	1/2	2	1 1/4	38
5-5V1090-3020	10.90	10.80	3	3020	A2	5/32	1/2	2	1 1/4	39
5-5V1180-3020	11.80	11.70	3	3020	A2	5/32	1/2	2	1 1/4	40
5-5V1250-3535	12.50	12.40	3 1/2	3535	A2	6 1/2	—	3 1/2	1/4	50
5-5V1320-3535	13.20	13.10	3 1/2	3535	A2	6 1/2	—	3 1/2	1/4	56
5-5V1400-3535	14.00	13.90	3 1/2	3535	A3	6 1/2	—	3 1/2	1/4	58
5-5V1500-3535	15.00	14.90	3 1/2	3535	A3	6 1/2	—	3 1/2	1/4	60
5-5V1600-3535	16.00	15.90	3 1/2	3535	A3	6 1/2	—	3 1/2	1/4	70
5-5V2120-4040	21.20	21.10	4 7/16	4040	B3	7 3/16	—	4	1/4	115
5-5V2800-4040	28.00	27.90	4 7/16	4040	B3	7 3/16	—	4	1/4	160
5-5V3750-4040	37.50	37.40	4 7/16	4040	B3	7 3/16	—	4	1/4	182
5-5V5000-4545	50.00	49.90	4 1/2	4545	B3	8 7/16	—	4 1/2	3/4	288

**T_{aper}
B_{ore}** V-pulleys

Cast Iron Sheaves

3V-5V-8V

BTL



5V-6

F=4 7/16"(112.71mm)

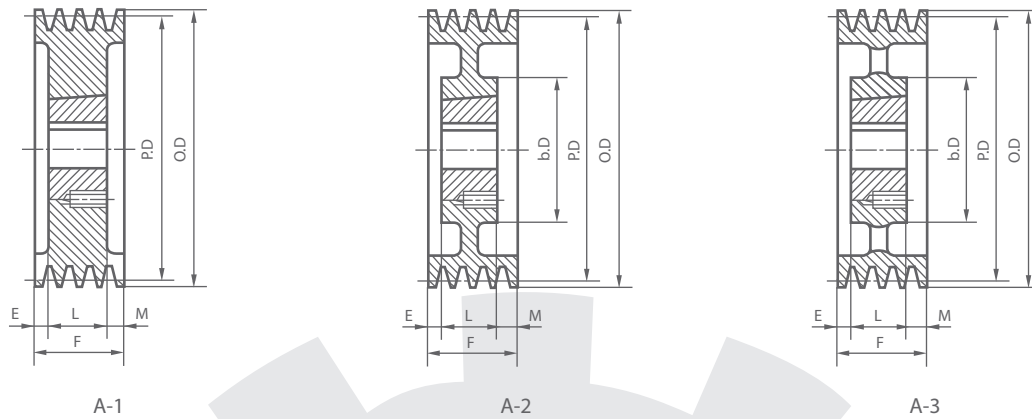
SHEAVE	OD	PD	Bush Max Bore	Bush	Type	bD	E	L	M	WT Less Bush
6-5V710-3020	7.10	7.00	3	3020	A1	—	3/4	2	111/16	17
6-5V750-3020	7.50	7.40	3	3020	A1	—	3/4	2	111/16	20
6-5V800-3020	8.00	7.90	3	3020	A1	—	3/4	2	111/16	24
6-5V850-3020	8.50	8.40	3	3020	A1	—	3/4	2	111/16	28
6-5V900-3020	9.00	8.90	3	3020	A1	—	3/4	2	111/16	32
6-5V925-3535	9.25	9.15	3 1/2	3535	A1	—	—	3 1/2	15/16	39
6-5V975-3535	9.75	9.65	3 1/2	3535	A1	—	—	3 1/2	15/16	50
6-5V1030-3535	10.30	10.20	3 1/2	3535	A1	—	—	3 1/2	15/16	58
6-5V1090-3535	10.90	10.80	3 1/2	3535	A1	—	—	3 1/2	15/16	60
6-5V1180-3535	11.80	11.70	3 1/2	3535	A2	6 1/2	—	3 1/2	15/16	62
6-5V1250-3535	12.50	12.40	3 1/2	3535	A2	6 1/2	—	3 1/2	15/16	65
6-5V1320-3535	13.20	13.10	3 1/2	3535	A2	6 1/2	—	3 1/2	15/16	68
6-5V1400-3535	14.00	13.90	3 1/2	3535	A2	6 1/2	—	3 1/2	15/16	72
6-5V1500-4040	15.00	14.90	4	4040	A2	7 3/16	—	4	7/16	91
6-5V1600-4040	16.00	15.90	4	4040	A3	7 3/16	—	4	7/16	97
6-5V2120-4040	21.20	21.10	4	4040	A3	7 3/16	—	4	7/16	123
6-5V2800-4040	28.00	27.90	4	4040	A3	7 3/16	—	4	7/16	176
6-5V3750-4545	37.50	37.40	4 1/2	4545	B3	8 7/16	—	4 1/2	1/16	254
6-5V5000-4545	50.00	49.90	4 1/2	4545	B3	8 7/16	—	4 1/2	1/16	286

**T_{aper}
B_{ore}** V-pulleys

3V-5V-8V

Cast Iron Sheaves

BTL



5V-8

F=5 13/16"(147.64mm)

SHEAVE	OD	PD	Bush Max Bore	Bush	Type	bD	E	L	M	WT Less Bush
8-5V710-3030	7.10	7.00	3	3030	A1	—	1	3	113/16	24
8-5V750-3030	7.50	7.40	3	3030	A1	—	1	3	113/16	27
8-5V800-3030	8.00	7.90	3	3030	A1	—	1	3	113/16	33
8-5V850-3030	8.50	8.40	3	3030	A1	—	1	3	113/16	39
8-5V900-3535	9.00	8.90	3 1/2	3535	A1	—	1	3 1/2	15/16	44
8-5V925-3535	9.25	9.15	3 1/2	3535	A1	—	1	3 1/2	15/16	48
8-5V975-3535	9.75	9.65	3 1/2	3535	A1	—	1	3 1/2	15/16	55
8-5V1030-3535	10.30	10.20	3 1/2	3535	A1	—	1	3 1/2	15/16	64
8-5V1090-3535	10.90	10.80	3 1/2	3535	A1	—	1	3 1/2	15/16	68
8-5V1180-3535	11.80	11.70	3 1/2	3535	A1	—	1	3 1/2	15/16	74
8-5V1250-4040	12.50	12.40	4	4040	A1	—	1/4	4	19/16	82
8-5V1320-4040	13.20	13.10	4	4040	A1	—	1/4	4	19/16	87
8-5V1400-4040	14.00	13.90	4	4040	A2	73/16	1/4	4	19/16	90
8-5V1500-4040	15.00	14.90	4	4040	A2	73/16	1/4	4	19/16	97
8-5V1600-4040	16.00	15.90	4	4040	A3	73/16	1/4	4	19/16	106
8-5V2120-4040	21.20	21.10	4	4040	A3	73/16	1/4	4	19/16	144
8-5V2800-4545	28.00	27.90	4 1/2	4545	A3	87/16	1/4	4 1/2	11/16	206
8-5V3750-4545	37.50	37.40	4 1/2	4545	A3	87/16	1/4	4 1/2	11/16	271
8-5V5000-4545	50.00	49.90	4 1/2	4545	A3	87/16	1/4	4 1/2	11/16	458

5V-10

F=7 3/16"(182.56mm)

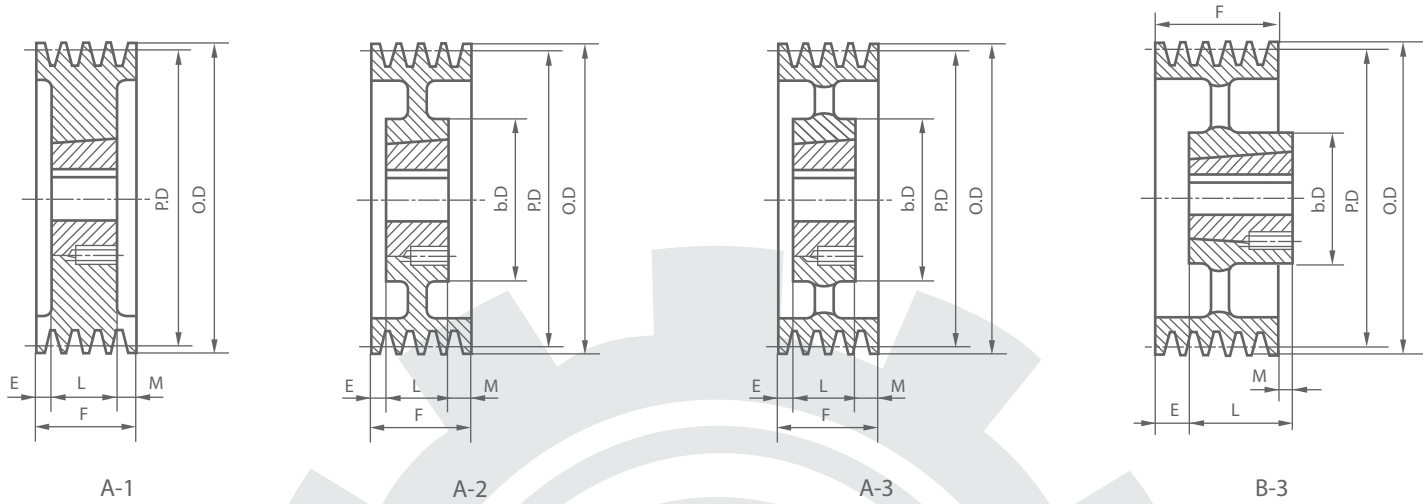
SHEAVE	OD	PD	Bush Max Bore	Bush	Type	bD	E	L	M	WT Less Bush
10-5V800-3030	8.00	7.90	3	3030	A1	—	1	3	33/16	36
10-5V850-3030	8.50	8.40	3	3030	A1	—	1	3	33/16	42
10-5V900-3535	9.00	8.90	3 1/2	3535	A1	—	1	3 1/2	2 11/16	48
10-5V925-4040	9.25	9.15	4	4040	A1	—	1	4	23/16	50
10-5V975-4040	9.75	9.65	4	4040	A1	—	1	4	23/16	58
10-5V1030-4040	10.30	10.20	4	4040	A1	—	1	4	23/16	69
10-5V1090-4040	10.90	10.80	4	4040	A1	—	1	4	23/16	76
10-5V1180-4040	11.80	11.70	4	4040	A1	—	1	4	23/16	96
10-5V1250-4040	12.50	12.40	4	4040	A2	73/16	3/4	4	27/16	116
10-5V1320-4040	13.20	13.10	4	4040	A2	73/16	3/4	4	27/16	130
10-5V1400-4545	14.00	13.90	4 1/2	4545	A2	87/16	3/4	4 1/2	1 15/16	150
10-5V1500-4545	15.00	14.90	4 1/2	4545	A2	87/16	3/4	4 1/2	1 15/16	155
10-5V1600-4545	16.00	15.90	4 1/2	4545	A2	87/16	3/4	4 1/2	1 15/16	160
10-5V2120-4545	21.20	21.10	4 1/2	4545	A3	87/16	3/4	4 1/2	1 15/16	210
10-5V2800-4545	28.00	27.90	4 1/2	4545	A3	87/16	3/4	4 1/2	1 15/16	248
10-5V3750-4545	37.50	37.40	4 1/2	4545	A3	87/16	3/4	4 1/2	1 15/16	375
10-5V5000-5050	50.00	49.90	5	5050	A3	10	3/4	5	17/16	502

**T_{aper}
B_{ore}** V-pulleys

Cast Iron Sheaves

3V-5V-8V

BTL



8V-4

F=4 7/8"(123.83mm)

SHEAVE	OD	PD	Bush Max Bore	Bush	Type	bD	E	L	M	WT Less Bush
4-8V1250-4040	12.50	12.30	4	4040	A1	—	—	4	7/8	88
4-8V1320-4040	13.20	13.00	4	4040	A1	—	—	4	7/8	102
4-8V1400-4040	14.00	13.80	4	4040	A1	—	—	4	7/8	123
4-8V1500-4040	15.00	14.80	4	4040	A1	—	—	4	7/8	145
4-8V1600-4040	16.00	15.80	4	4040	A2	73/16	—	4	7/8	111
4-8V1700-4040	17.00	16.80	4	4040	A2	73/16	—	4	7/8	120
4-8V1800-4040	18.00	17.80	4	4040	A2	73/16	—	4	7/8	130
4-8V1900-4040	19.00	18.80	4	4040	A2	73/16	—	4	7/8	140
4-8V2000-4545	20.00	19.80	4 1/2	4545	A2	87/16	—	4 1/2	3/8	151
4-8V2120-4545	21.20	21.00	4 1/2	4545	A3	87/16	—	4 1/2	3/8	154
4-8V2240-4545	22.40	22.20	4 1/2	4545	A3	87/16	—	4 1/2	3/8	185
4-8V3000-5050	30.00	29.80	5	5050	B3	10	—	5	1/8	246
4-8V4000-5050	40.00	39.80	5	5050	B3	10	—	5	1/8	292
4-8V5300-5050	53.00	52.80	5	5050	B3	10	—	5	1/8	573

8V-5

F=6"(152.40mm)

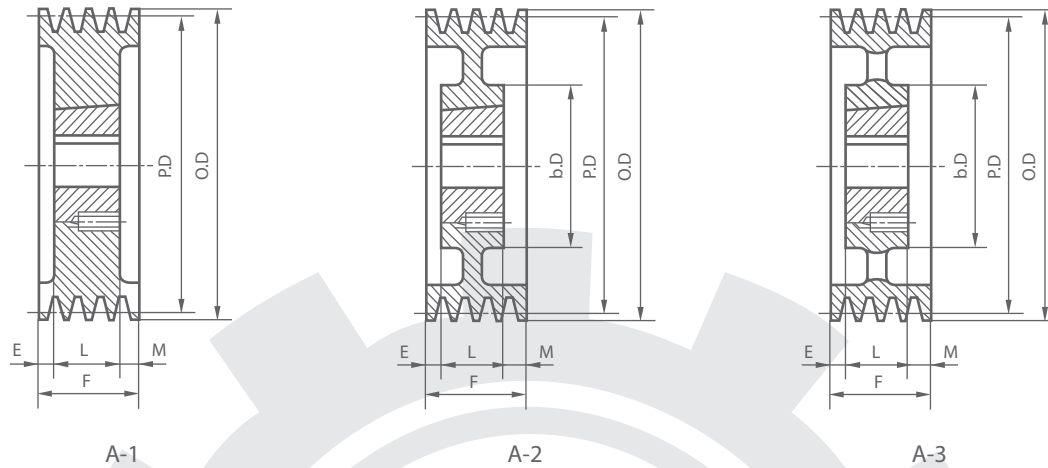
SHEAVE	OD	PD	Bush Max Bore	Bush	Type	bD	E	L	M	WT Less Bush
5-8V1250-4040	12.50	12.30	4	4040	A1	—	3/16	4	1 13/16	100
5-8V1320-4040	13.20	13.00	4	4040	A1	—	3/16	4	1 13/16	115
5-8V1400-4040	14.00	13.80	4	4040	A1	—	3/16	4	1 13/16	133
5-8V1500-4040	15.00	14.80	4	4040	A1	—	3/16	4	1 13/16	156
5-8V1600-4040	16.00	15.80	4	4040	A1	—	1/2	4	1 1/2	181
5-8V1700-4545	17.00	16.80	4 1/2	4545	A2	87/16	—	4 1/2	1 1/2	146
5-8V1800-4545	18.00	17.80	4 1/2	4545	A2	87/16	—	4 1/2	1 1/2	156
5-8V1900-4545	19.00	18.80	4 1/2	4545	A2	87/16	—	4 1/2	1 1/2	176
5-8V2000-4545	20.00	19.80	4 1/2	4545	A2	87/16	—	4 1/2	1 1/2	196
5-8V2120-4545	21.20	21.00	4 1/2	4545	A3	87/16	—	4 1/2	1 1/2	195
5-8V2240-4545	22.40	22.20	4 1/2	4545	A3	87/16	—	4 1/2	1 1/2	200
5-8V3000-5050	30.00	29.80	5	5050	A3	10	—	5	1	278
5-8V4000-5050	40.00	39.80	5	5050	A3	10	—	5	1	350
5-8V5300-5050	53.00	52.80	5	5050	A3	10	—	5	1	565

**T_{aper}
B_{ore}** V-pulleys

3V-5V-8V

Cast Iron Sheaves

BTL



8V-6

F=7 1/8"(180.98mm)

SHEAVE	OD	PD	Bush Max Bore	Bush	Type	bD	E	L	M	WT Less Bush
6-8V1250-4040	12.50	12.30	4 1/2	4040	A1	—	1	4	2 1/8	100
6-8V1320-4040	13.20	13.00	4 1/2	4040	A1	—	1	4	2 1/8	124
6-8V1400-4040	14.00	13.80	4 1/2	4040	A1	—	1	4	2 1/8	142
6-8V1500-4545	15.00	14.80	4 1/2	4545	A1	—	1/2	4 1/2	2 1/8	153
6-8V1600-4545	16.00	15.80	4 1/2	4545	A2	87/16	1/2	4 1/2	2 1/8	170
6-8V1700-4545	17.00	16.80	4 1/2	4545	A2	87/16	1/2	4 1/2	2 1/2	175
6-8V1800-4545	18.00	17.80	4 1/2	4545	A2	87/16	1/2	4 1/2	2 1/8	180
6-8V1900-4545	19.00	18.80	4 1/2	4545	A2	87/16	1/2	4 1/2	2 1/8	192
6-8V2000-5050	20.00	19.80	5	5050	A2	10	1/2	5	1 5/8	226
6-8V2120-5050	21.20	21.00	5	5050	A3	10	1/2	5	1 5/8	246
6-8V2240-5050	22.40	22.20	5	5050	A3	10	1/2	5	1 5/8	267
6-8V3000-5050	30.00	29.80	5	5050	A3	10	1/2	5	1 5/8	398
6-8V4000-5050	40.00	39.80	5	5050	A3	10	1/2	5	1 5/8	468
6-8V5300-5050	53.00	52.80	5	5050	A3	10	1/2	5	1 5/8	658

8V-8

F=9 3/8"(238.13mm)

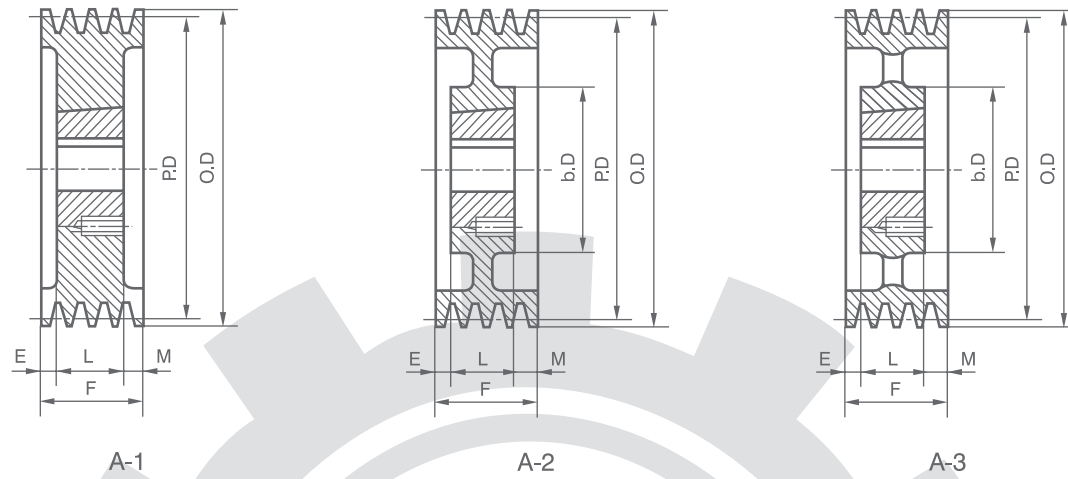
SHEAVE	OD	PD	Bush Max Bore	Bush	Type	bD	E	L	M	WT Less Bush
8-8V1250-4545	12.50	12.30	4 1/2	4545	A1	—	1 1/2	4 1/2	3 3/8	125
8-8V1320-4545	13.20	13.00	4 1/2	4545	A1	—	1 1/2	4 1/2	3 3/8	135
8-8V1400-4545	14.00	13.80	4 1/2	4545	A1	—	1 1/2	4 1/2	3 3/8	156
8-8V1500-4545	15.00	14.80	4 1/2	4545	A1	—	1 1/2	4 1/2	3 3/8	160
8-8V1600-4545	16.00	15.80	4 1/2	4545	A2	87/16	1 1/2	4 1/2	3 3/8	166
8-8V1700-5050	17.00	16.80	5	5050	A2	10	1	5	3 3/8	265
8-8V1800-5050	18.00	17.80	5	5050	A2	10	1	5	3 3/8	204
8-8V1900-5050	19.00	18.80	5	5050	A2	10	1	5	3 3/8	228
8-8V2000-5050	20.00	19.80	5	5050	A2	10	1	5	3 3/8	236
8-8V2120-5050	21.20	21.00	5	5050	A3	10	1	5	3 3/8	246
8-8V2240-5050	22.40	22.20	5	5050	A3	10	1	5	3 3/8	300
8-8V3000-5050	30.00	29.80	5	5050	A3	10	1	5	3 3/8	384
8-8V4000-5050	40.00	39.80	5	5050	A3	10	1	5	3 3/8	556
8-8V5300-6050	53.00	52.80	6	6050	A3	13 1/4	1	5	3 3/8	1040

**T_{aper}
B_{ore}** V-pulleys

3V-5V-8V

Cast Iron Sheaves

BTL



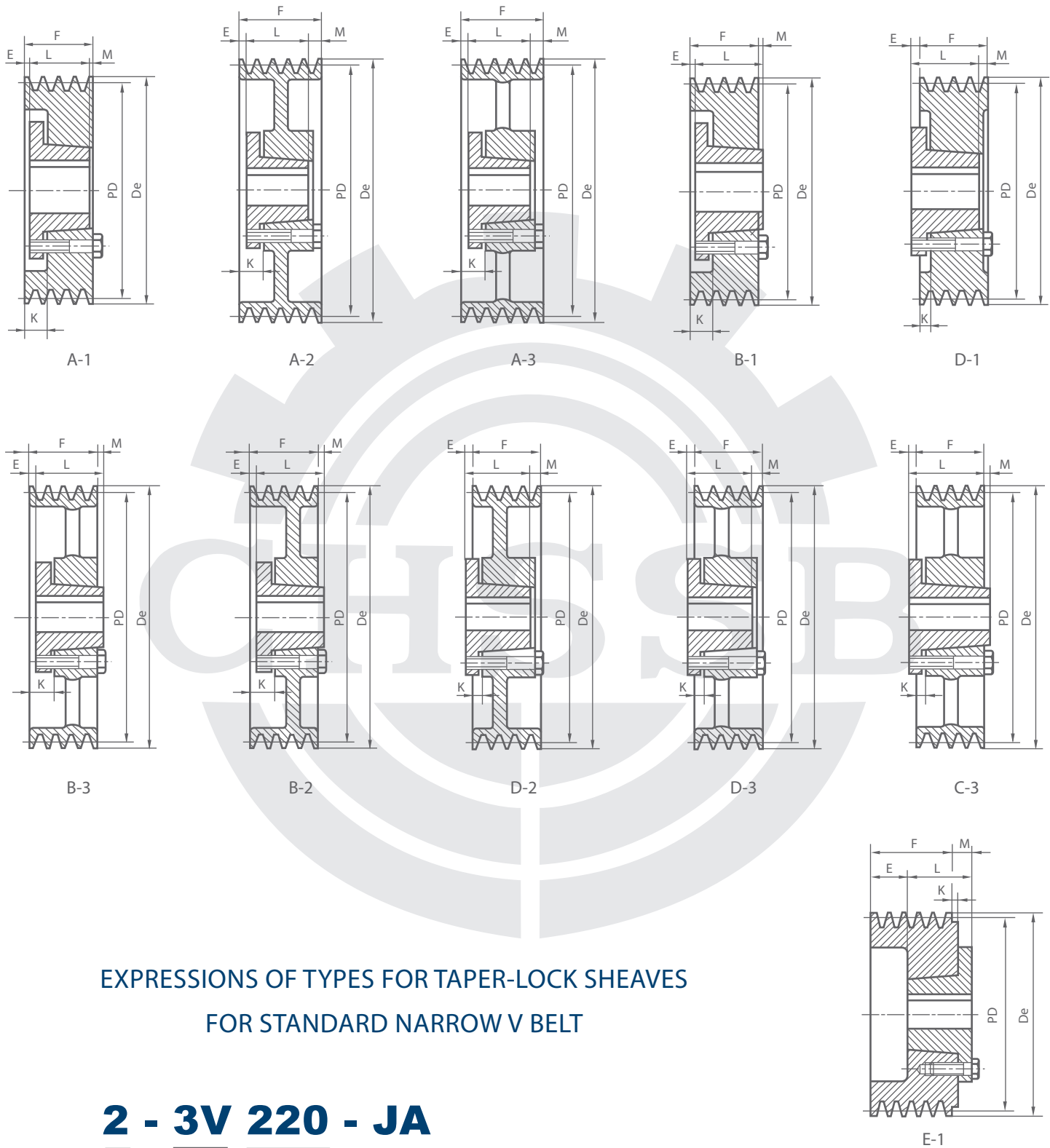
8V-10

F=11 5/8" (295.28mm)

SHEAVE	OD	PD	Bush Max Bore	Bush	Type	bD	E	L	M	WT Less Bush
10-8V1320-4545	13.20	13.00	415/16	4545	A1	—	1	41/2	61/8	150
10-8V1400-4545	14.00	13.80	415/16	4545	A1	—	1	41/2	61/8	180
10-8V1500-5050	15.00	14.80	5	5050	A1	—	1	5	55/8	211
10-8V1600-5050	16.00	15.80	5	5050	A1	—	1	5	55/8	220
10-8V1700-5050	17.00	16.80	5	5050	A2	10	21/4	5	43/8	228
10-8V1800-5050	18.00	17.80	5	5050	A2	10	21/4	5	43/8	244
10-8V1900-5050	19.00	18.80	5	5050	A2	10	21/4	5	43/8	260
10-8V2000-5050	20.00	19.80	5	5050	A2	10	21/4	5	43/8	270
10-8V2120-5050	21.20	21.00	5	5050	A2	10	21/4	5	43/8	282
10-8V2240-5050	22.40	22.20	5	5050	A3	10	21/4	5	43/8	312
10-8V3000-5050	30.00	29.80	5	5050	A3	10	21/4	5	43/8	448
10-8V4000-6050	40.00	39.80	6	6050	A3	131/4	21/4	5	43/8	550
10-8V5300-6050	53.00	52.80	6	6050	A3	131/4	21/4	5	43/8	870



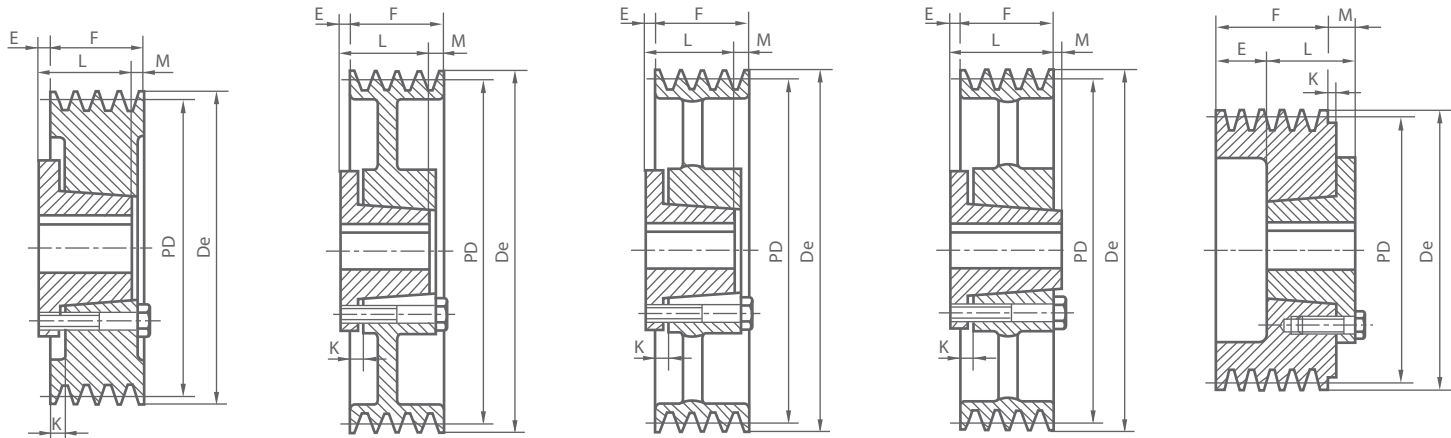
QTL Taper bushing



EXPRESSIONS OF TYPES FOR TAPER-LOCK SHEAVES
FOR STANDARD NARROW V BELT

2 - 3V 220 - JA

- Types of Taper Lock Bushings
- Outer Dia. of Sheaves (inches x 100)
- Types for V Gripbelt
- Groove



3V-1

F=11/16"(17.46mm)

SHEAVE	De	Dp	Bush Max Bore	Bush	Type	Db	E	K	L	M	WT Less Bush
1-3V220-JA	2.20	2.15	1 1/4	JA	E1	—	9/16	7/16	1 1/16	15/16	0.7
1-3V235-JA	2.35	2.30	1 1/4	JA	E1	—	9/16	7/16	1 1/16	15/16	0.8
1-3V250-JA	2.50	2.45	1 1/4	JA	E1	—	9/16	7/16	1 1/16	15/16	0.9
1-3V265-JA	2.65	2.60	1 1/4	JA	C1	—	3/8	1/8	1 1/16	—	0.9
1-3V280-JA	2.80	2.75	1 1/4	JA	C1	—	3/8	1/8	1 1/16	—	1.0
1-3V300-JA	3.00	2.95	1 1/4	JA	C1	—	3/8	1/8	1 1/16	—	1.0
1-3V315-JA	3.15	3.10	1 1/4	JA	C1	—	3/8	1/8	1 1/16	—	1.1
1-3V335-JA	3.35	3.30	1 1/4	JA	C1	—	3/8	1/8	1 1/16	—	1.3
1-3V365-SH	3.65	3.60	1 11/16	SH	D1	—	9/16	—	15/16	1/16	1.7
1-3V412-SH	4.12	4.07	1 11/16	SH	D1	—	9/16	—	15/16	1/16	2.1
1-3C450-SH	4.50	4.45	1 11/16	SH	D2	3	9/16	—	15/16	1/16	2.5
1-3V475-SH	4.75	4.70	1 11/16	SH	D2	3	9/16	—	15/16	1/16	2.8
1-3V500-SH	5.00	4.95	1 11/16	SH	D2	3	9/16	—	15/16	1/16	3.2
1-3V530-SH	5.30	5.25	1 11/16	SH	D2	3	9/16	—	15/16	1/16	3.2
1-3V560-SH	5.60	5.55	1 11/16	SH	D2	3	9/16	—	15/16	1/16	3.5
1-3V600-SH	6.00	5.95	1 11/16	SH	D2	3	9/16	—	15/16	1/16	3.9
1-3V650-SH	6.50	6.45	1 11/16	SH	D3	3	9/16	—	15/16	1/16	4.5
1-3V690-SH	6.90	6.85	1 11/16	SH	D3	3	9/16	—	15/16	1/16	5.5
1-3V800-SDS	8.00	7.95	2	SDS	C3	3 1/2	5/8	—	13/8	—	8.0
1-3V1060-SDS	10.60	10.55	2	SDS	C3	3 1/2	5/8	—	13/8	—	13.5
1-3V1400-SK	14.00	13.95	2 5/8	SK	C3	4 3/8	1 1/16	—	1 15/16	—	17.0
1-3V1900-SK	19.00	18.95	2 5/8	SK	C3	4 3/8	1 1/16	—	1 15/16	—	19.5

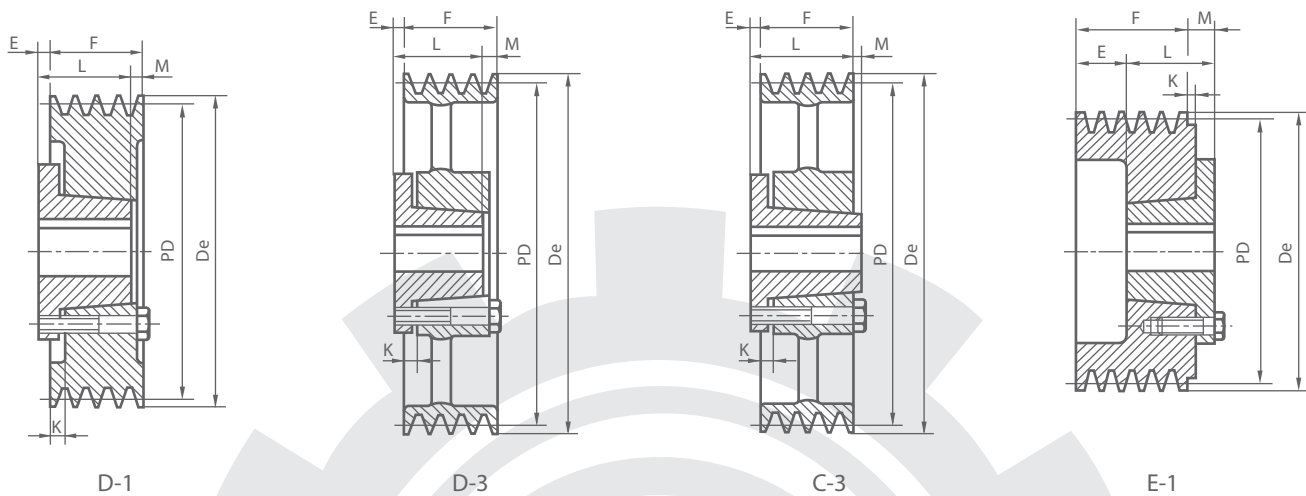
F=3/4" for 1-3V800-SDS and 1-3V1060-SDS, F=13/16" for 1-3V1400-SK and 1-3V1900-SK

T_B^{aper} **V-pulleys**

3V-5V-8V

Cast Iron Sheaves

QTL



3V-2

F=1 3/32"(27.78mm)

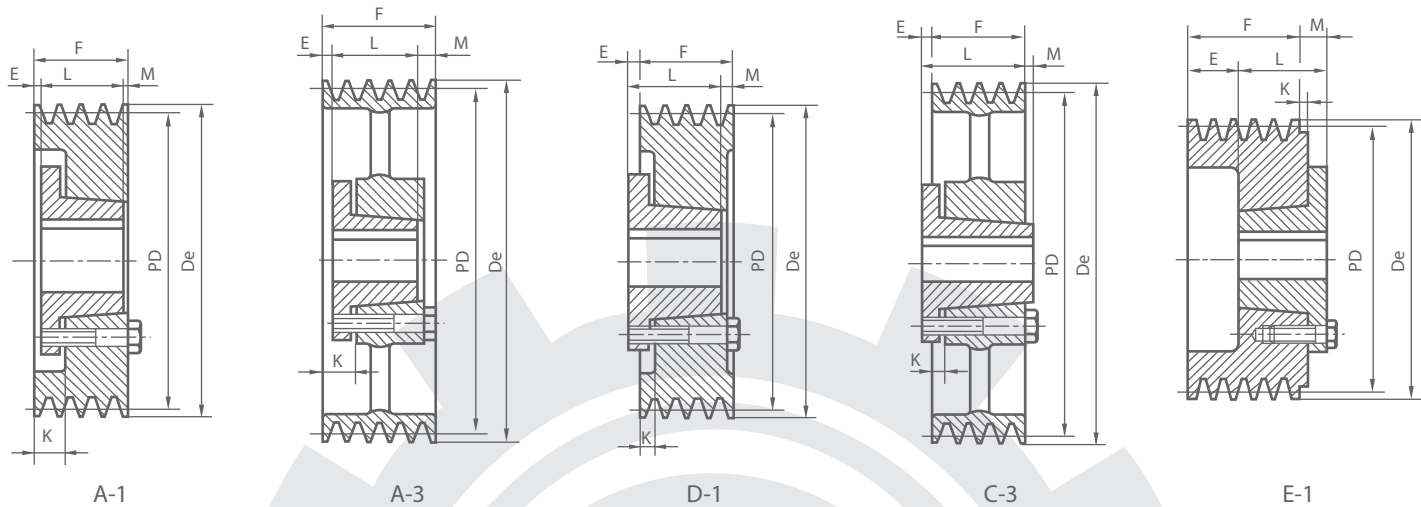
SHEAVE	De	Dp	Bush Max Bore	Bush	Type	Db	E	K	L	M	WT Less Bush
2-3V220-JA	2.20	2.15	11/4	JA	E1	—	31/32	7/16	11/16	15/16	0.9
2-3V235-JA	2.35	2.30	11/4	JA	E1	—	31/32	7/16	11/16	15/16	1.0
2-3V250-JA	2.50	2.45	11/4	JA	E1	—	31/32	7/16	11/16	15/16	1.2
2-3V265-JA	2.65	2.60	11/4	JA	D1	—	3/8	1/8	11/16	13/32	1.3
2-3V280-JA	2.80	2.75	11/4	JA	D1	—	3/8	1/8	11/16	13/32	1.4
2-3V300-JA	3.00	2.95	11/4	JA	D1	—	3/8	1/8	11/16	13/32	1.6
2-3V315-JA	3.15	3.10	11/4	JA	D1	—	3/8	1/8	11/16	13/32	1.8
2-3V335-SH	3.35	3.30	111/16	SH	D1	—	1/4	1/4	15/16	1/32	2.0
2-3V365-SH	3.65	3.60	111/16	SH	D1	—	1/4	1/4	15/16	1/32	2.4
2-3V412-SH	4.12	4.07	111/16	SH	D1	—	1/4	1/4	15/16	1/32	2.7
2-3C450-SH	4.50	4.45	111/16	SH	D1	—	1/4	1/4	15/16	1/32	2.9
2-3V475-SH	4.75	4.70	111/16	SH	D1	—	1/4	1/4	15/16	1/32	3.1
2-3V500-SH	5.00	4.95	111/16	SH	D1	—	1/4	1/4	15/16	1/32	3.6
2-3V530-SH	5.30	5.25	111/16	SH	D1	—	1/4	1/4	15/16	1/32	4.5
2-3V560-SH	5.60	5.55	111/16	SH	D1	—	1/4	1/4	15/16	1/32	5.0
2-3V600-SH	6.00	5.95	111/16	SH	D1	—	1/4	1/4	15/16	1/32	5.5
2-3V650-SDS	6.50	6.45	2	SDS	D3	31/2	5/16	5/16	13/8	1/32	5.8
2-3V690-SDS	6.90	6.85	2	SDS	D3	31/2	5/16	5/16	13/8	1/32	6.0
2-3V800-SDS	8.00	7.95	2	SDS	D3	31/2	5/16	5/16	13/8	1/32	7.0
2-3V1060-SK	10.60	10.55	25/8	SK	C3	43/8	7/16	1/4	115/16	13/32	10
2-3V1400-SK	14.00	13.95	25/8	SK	C3	43/8	7/16	1/4	115/16	13/32	16
2-3V1900-SK	19.00	18.95	25/8	SK	C3	43/8	7/16	1/4	115/16	13/32	25
2-3V2500-SF	25.00	24.95	215/16	SF	C3	5	7/16	1/4	21/16	17/32	28

**T_{aper}
B_{ore}** V-pulleys

3V-5V-8V

Cast Iron Sheaves

QTL



3V-3

F=1 1/2"(38.10mm)

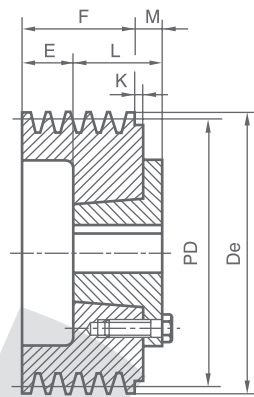
SHEAVE	De	Dp	Bush Max Bore	Bush	Type	Db	E	K	L	M	WT Less Bush
3-3V250-JA	2.50	2.45	1 1/4	JA	E1	2 3/8	1 3/8	7/16	1 1/16	15/16	1.6
3-3V265-JA	2.65	2.60	1 1/4	JA	D1	—	3/8	1/8	1 1/16	13/16	1.8
3-3V280-JA	2.80	2.75	1 1/4	JA	D1	—	3/8	1/8	1 1/16	13/16	2.0
3-3V300-JA	3.00	2.95	1 11/16	JA	E1	—	1 1/16	—	1 15/16	9/16	2.2
3-3V315-SH	3.15	3.10	1 11/16	SH	E1	3	1 1/16	5/16	1 5/16	7/8	2.5
3-3V335-SH	3.35	3.30	1 11/16	SH	D1	—	7/16	1/8	1 5/16	5/8	2.8
3-3V365-SH	3.65	3.60	1 11/16	SH	D1	—	7/16	1/8	1 5/16	5/8	3.0
3-3V412-SH	4.12	4.07	1 11/16	SH	A1	—	1/8	1 1/16	1 5/16	1/16	3.3
3-3C450-SDS	4.50	4.45	2	SDS	A1	—	1/16	1 1/16	1 3/8	1/16	3.5
3-3V475-SDS	4.75	4.70	2	SDS	A1	—	1/16	1 1/16	1 3/8	1/16	3.7
3-3V500-SDS	5.00	4.95	2	SDS	A1	—	1/16	1 1/16	1 3/8	1/16	4.0
3-3V530-SDS	5.30	5.25	2	SDS	A1	—	1/16	1 1/16	1 3/8	1/16	4.3
3-3V560-SDS	5.60	5.55	2	SDS	A1	—	1/16	1 1/16	1 3/8	1/16	4.9
3-3V600-SDS	6.00	5.95	2	SDS	A1	—	1/16	1 1/16	1 3/8	1/16	5.9
3-3V650-SDS	6.50	6.45	2	SDS	A3	3 1/2	1/16	1 1/16	1 3/8	1/16	6.3
3-3V690-SDS	6.90	6.85	2	SDS	A3	3 1/2	1/16	1 1/16	1 3/8	1/16	6.8
3-3V800-SK	8.00	7.95	2 5/8	SK	C2	4 3/8	7/16	1/4	1 15/16	—	10.8
3-3V1060-SK	10.60	10.55	2 5/8	SK	C3	4 3/8	7/16	1/4	1 15/16	—	12.0
3-3V1400-SK	14.00	13.95	2 5/8	SK	C3	4 3/8	7/16	1/4	1 15/16	—	20.0
3-3V1900-SF	19.00	18.95	2 15/16	SF	C3	5	7/16	1/4	2 1/16	1/8	33.0
3-3V2500-SF	25.00	24.95	2 15/16	SF	C3	5	7/16	1/4	2 1/16	1/8	45.0
3-3V-3350-SF	33.50	33.45	2 15/16	SF	C3	5	7/16	1/4	2 1/16	1/8	75.0

**T_{aper}
B_{ore}** V-pulleys

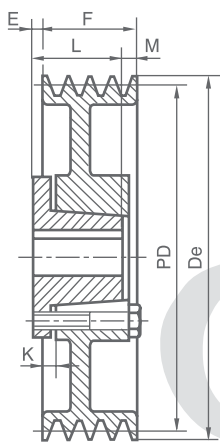
3V-5V-8V

Cast Iron Sheaves

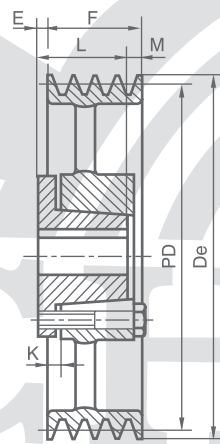
QTL



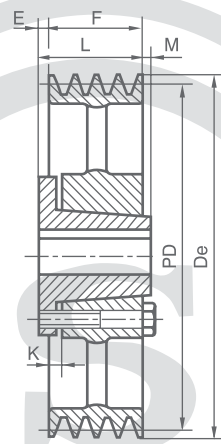
E-1



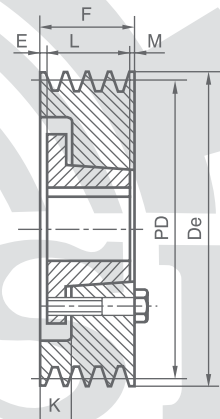
D-2



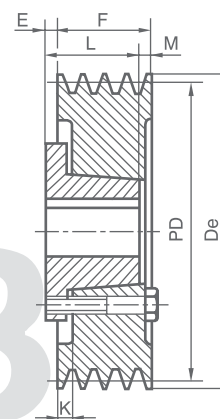
D-3



C-3



A-1



D-1

3V-4

F = 1 29/32" (48.42mm)

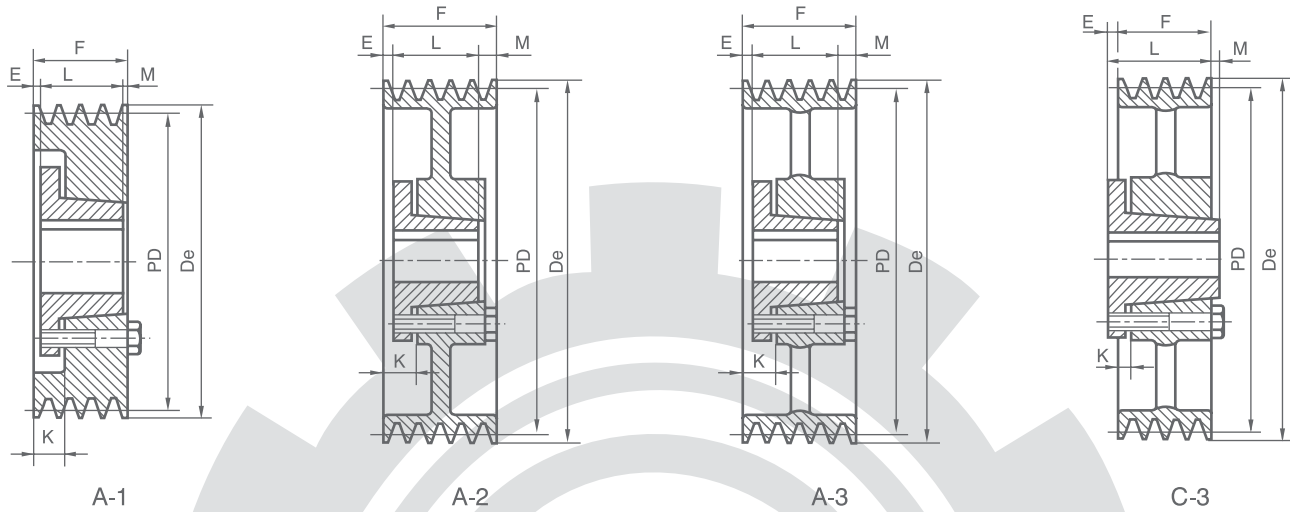
SHEAVE	De	Dp	Bush Max Bore	Bush	Type	Db	E	K	L	M	WT Less Bush
4-3V265-JA	2.65	2.60	1 1/4	JA	D1	—	3/8	1/8	1 1/16	1 7/32	1.3
4-3V280-JA	2.80	2.75	1 1/4	JA	D1	—	3/8	1/8	1 1/16	1 7/32	1.6
4-3V300-SH	3.00	2.95	1 11/16	SH	E1	—	1 15/32	5/16	1 5/16	7/8	1.9
4-3V315-SH	3.15	3.10	1 11/16	SH	E1	3	1 15/32	5/16	1 5/16	7/8	2.2
4-3V335-SH	3.35	3.30	1 11/16	SH	D1	—	7/16	1/8	1 5/16	1 1/32	2.5
4-3V365-SH	3.65	3.60	1 11/16	SH	D1	—	7/16	1/8	1 5/16	1 1/32	2.8
4-3V412-SH	4.12	4.07	1 11/16	SH	A1	—	1/4	13/16	1 5/16	1 1/32	3.2
4-3C450-SDS	4.50	4.45	2	SDS	A1	—	3/16	13/16	1 3/8	1 1/32	3.5
4-3V475-SDS	4.75	4.70	2	SDS	A1	—	3/16	13/16	1 3/8	1 1/32	4.0
4-3V500-SDS	5.00	4.95	2	SDS	A1	—	3/16	13/16	1 3/8	1 1/32	4.5
4-3V530-SDS	5.30	5.25	2	SDS	A1	—	3/16	13/16	1 3/8	1 1/32	5.0
4-3V560-SDS	5.60	5.55	2	SDS	A1	—	3/16	13/16	1 3/8	1 1/32	5.7
4-3V600-SK	6.00	5.95	2 5/8	SK	D1	—	1/16	5/8	1 15/16	1/32	7.5
4-3V650-SK	6.50	6.45	2 5/8	SK	D2	—	1/16	5/8	1 15/16	1/32	8.0
4-3V690-SK	6.90	6.85	2 5/8	SK	D2	—	1/16	5/8	1 15/16	1/32	10
4-3V800-SK	8.00	7.95	2 5/8	SK	D2	4 3/8	1/16	5/8	1 15/16	1/32	12
4-3V1060-SK	10.60	10.55	2 5/8	SK	D3	4 3/8	1/16	5/8	1 15/16	1/32	16
4-3V1400-SK	14.00	13.95	2 5/8	SK	D3	4 3/8	1/16	5/8	1 15/16	1/32	22
4-3V1900-SF	19.00	18.95	2 15/16	SF	C3	5	1/16	5/8	2 1/16	3/32	37
4-3V2500-SF	25.00	24.95	2 15/16	SF	C3	5	1/16	5/8	2 1/16	3/32	53
4-3V-3350-E	33.50	33.45	3 1/2	E	C3	6 1/4	3/8	1/2	2 5/8	1 1/32	80

Taper Bore V-pulleys

3V-5V-8V

Cast Iron Sheaves

QTL



3V-5

F=2 5/16" (58.74mm)

SHEAVE	De	Dp	Bush Max Bore	Bush	Type	Db	E	K	L	M	WT Less Bush
5-3V475-SDS	4.75	4.70	2	SDS	A2	3 1/2	3/16	13/16	13/8	3/4	4.5
5-3V500-SDS	5.00	4.95	2	SDS	A2	3 1/2	3/16	13/16	13/8	3/4	5.3
5-3V530-SK	5.30	5.25	25/8	SK	A1	—	1/4	15/16	115/16	1/8	5.8
5-3V560-SK	5.60	5.55	25/8	SK	A1	—	1/4	15/16	115/16	1/8	7.0
5-3V600-SK	6.00	5.95	25/8	SK	A1	—	1/4	15/16	115/16	1/8	8.3
5-3V650-SK	6.50	6.45	25/8	SK	A1	—	1/4	15/16	115/16	1/8	9.0
5-3V690-SK	6.90	6.85	25/8	SK	A1	—	1/4	15/16	115/16	1/8	12.0
5-3V800-SK	8.00	7.95	25/8	SK	A2	4 3/8	1/4	15/16	115/16	1/8	13.0
5-3V1060-SK	10.60	10.55	25/8	SK	A3	4 3/8	1/4	15/16	115/16	1/8	17.0
5-3V1400-SF	14.00	13.95	2 15/16	SF	A3	5	3/16	7/8	2 1/16	1/16	27.0
5-3V1900-SF	19.00	18.95	2 15/16	SF	A3	5	3/16	7/8	2 1/16	1/16	40.0
5-3V2500-SE	25.00	24.95	3 1/2	E	C3	6 1/4	1/4	5/8	2 5/8	1/16	69.0
5-3V3350-E	33.50	33.45	3 1/2	E	C3	6 1/4	1/4	5/8	2 5/8	1/16	97.0

Bore Range

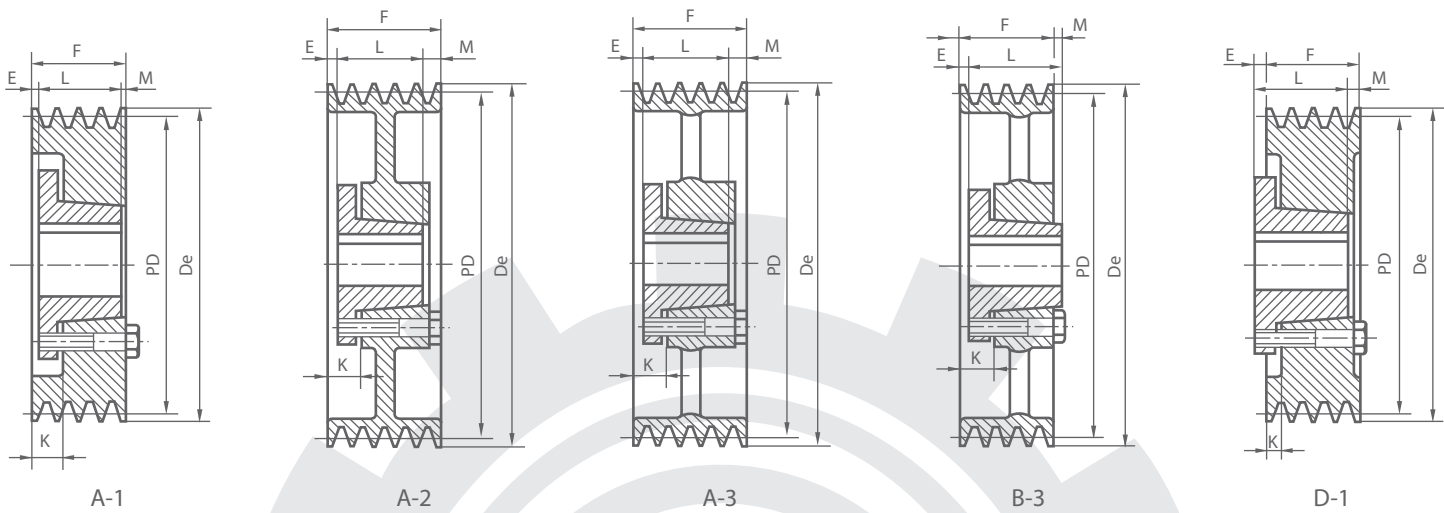
QTL BUSH	Bore	
	Min	Max
JA	1/2	1 1/4
SH	1/2	1 5/16
SD	1/2	2
SK	1/2	2 5/8
SF	1/2	2 15/16
E	7/8	3 1/2



Standard Keyseats

Bore Range	Keyseat
15/16"-11/4"	1/4"x1/8"
15/16"-13/8	5/16x5/32
17/16"-13/4	3/8x3/16
1 13/16"-2 1/4	1/2x1/4
2 5/16"-2 3/4	5/8x5/16
2 13/16"-3 1/4	3/4x3/8
3 3/8"-3 3/4	7/8x7/16

1 3/8" Bore Bushings also available with 3/8"x3/16" Keyseat.



3V-6

F=2 23/32"(69.06mm)

SHEAVE	De	Dp	Bush Max Bore	Bush	Type	Db	E	K	L	M	WT Less Bush
6-3V475-SK	4.75	4.70	2	SK	D1	—	9/16	1/8	1 15/16	1 11/32	6.0
6-3V500-SK	5.00	4.95	2	SK	D1	—	9/16	1/8	1 15/16	1 11/32	6.5
6-3V530-SK	5.30	5.25	25/8	SK	A1	—	5/8	15/16	1 15/16	5/32	6.8
6-3V560-SK	5.60	5.55	25/8	SK	A1	—	5/8	15/16	1 15/16	5/32	8.0
6-3V600-SK	6.00	5.95	25/8	SK	A1	—	5/8	15/16	1 15/16	5/32	9.0
6-3V650-SK	6.50	6.45	25/8	SK	A2	43/8	5/8	15/16	1 15/16	5/32	10.0
6-3V690-SK	6.90	6.85	25/8	SK	A2	43/8	5/8	15/16	1 15/16	5/32	11.5
6-3V800-SK	8.00	7.95	25/8	SK	A2	43/8	3/16	7/8	1 15/16	19/32	17.0
6-3V1060-SF	10.60	10.55	25/8	SF	A2	5	3/16	7/8	2 1/16	15/32	25.0
6-3V1400-SF	14.00	13.95	2 15/16	SF	A3	5	3/16	7/8	2 1/16	15/32	34.0
6-3V1900-E	19.00	18.95	2 15/16	E	B3	6 1/4	1/8	1	2 5/8	1/32	45.0
6-3V2500-E	25.00	24.95	3 1/2	E	B3	6 1/4	1/8	1	2 5/8	1/32	75.0
6-3V3350-E	33.50	33.45	3 1/2	E	B3	6 1/4	1/8	1	2 5/8	1/32	98.0

3V-8

F=3 17/32"(89.70mm)

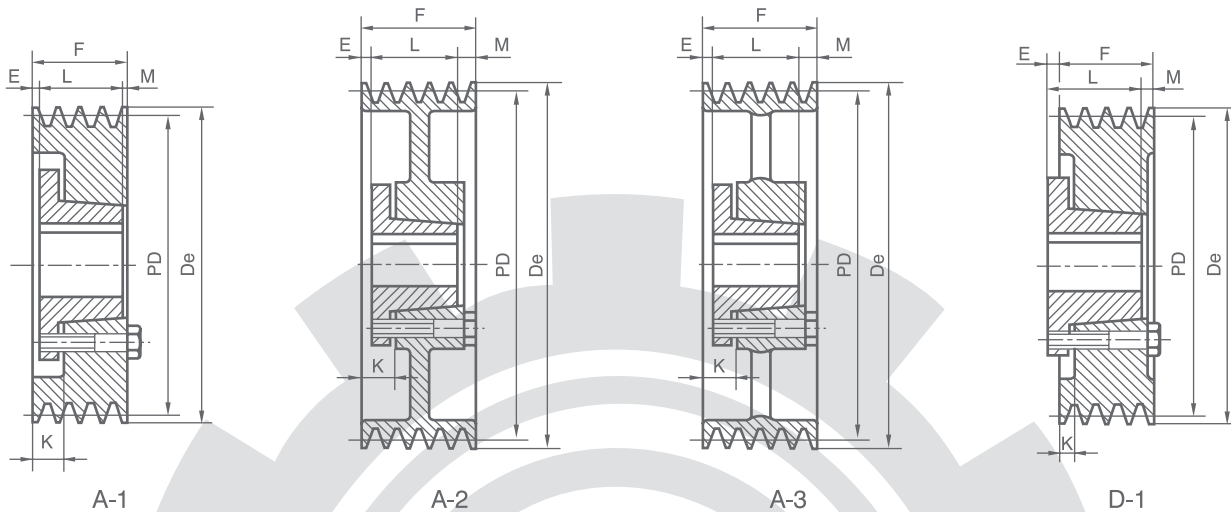
SHEAVE	De	Dp	Bush Max Bore	Bush	Type	Db	E	K	L	M	WT Less Bush
8-3V475-SK	4.75	4.70	25/8	SK	D1	—	9/16	1/8	1 15/16	25/32	6.0
8-3V500-SK	5.00	4.95	25/8	SK	D1	—	9/16	1/8	1 15/16	25/32	6.9
8-3V530-SK	5.30	5.25	25/8	SK	A1	—	5/8	15/16	1 15/16	31/32	7.8
8-3V560-SK	5.60	5.55	25/8	SK	A1	—	5/8	15/16	1 15/16	31/32	9.0
8-3V600-SK	6.00	5.95	25/8	SK	A1	—	5/8	15/16	1 15/16	31/32	10.0
8-3V650-SK	6.50	6.45	25/8	SK	A2	43/8	5/8	15/16	1 15/16	31/32	12.9
8-3V690-SK	6.90	6.85	25/8	SK	A2	43/8	5/8	15/16	1 15/16	31/32	14.0
8-3V800-SF	8.00	7.95	2 15/16	SF	A1	—	7/16	1 1/8	2 1/16	1 1/32	20.0
8-3V1060-SF	10.60	10.55	2 15/16	SF	A2	5	7/16	1 1/8	2 1/16	1 1/32	28.0
8-3V1400-E	14.00	13.95	3 1/2	E	A3	6 1/4	3/8	1 1/4	2 5/8	17/32	40.0
8-3V1900-E	19.00	18.95	3 1/2	E	A3	6 1/4	3/8	1 1/4	2 5/8	17/32	62.0
8-3V2500-E	25.00	24.95	3 1/2	E	A3	6 1/4	3/8	1 1/4	2 5/8	17/32	87.0
8-3V3350-F	33.50	33.45	3 15/16	F	B3	7	1/16	1 1/16	3 5/8	5/32	152

Taper Bore V-pulleys

3V-5V-8V

Cast Iron Sheaves

QTL



3V-10

F=4 11/32"(110.33mm)

SHEAVE	De	Dp	Bush Max Bore	Bush	Type	Db	E	K	L	M	WT Less Bush
10-3V475-SK	4.75	4.70	25/8	SK	D1	—	9/16	1/8	115/16	231/32	7.0
10-3V500-SK	5.00	4.95	25/8	SK	D1	—	9/16	1/8	115/16	231/32	8.6
10-3V530-SK	5.30	5.25	25/8	SK	A1	—	3/4	17/16	115/16	121/32	9.0
10-3V560-SK	5.60	5.55	25/8	SK	A1	—	3/4	17/16	115/16	121/32	10
10-3V600-SK	6.00	5.95	25/8	SK	A1	—	3/4	17/16	115/16	121/32	11
10-3V650-SK	6.50	6.45	25/8	SK	A2	43/8	3/4	17/16	115/16	121/32	14
10-3V690-SK	6.90	6.85	25/8	SK	A2	43/8	3/4	17/16	115/16	121/32	16
10-3V800-SF	8.00	7.95	215/16	SF	A1	—	13/16	11/2	21/16	115/32	22
10-3V1060-E	10.60	10.55	31/2	E	A2	61/4	3/8	11/4	25/8	111/32	33
10-3V1400-E	14.00	13.95	31/2	E	A3	61/4	3/8	11/4	25/8	111/32	43
10-3V1900-E	19.00	18.95	31/2	E	A3	61/4	3/8	11/4	25/8	111/32	66
10-3V2500-F	25.00	24.95	315/16	F	A3	7	5/16	15/16	35/8	13/32	98
10-3V-3350-F	33.50	33.45	315/16	F	A3	7	5/16	15/16	35/8	13/32	178

Bore Range

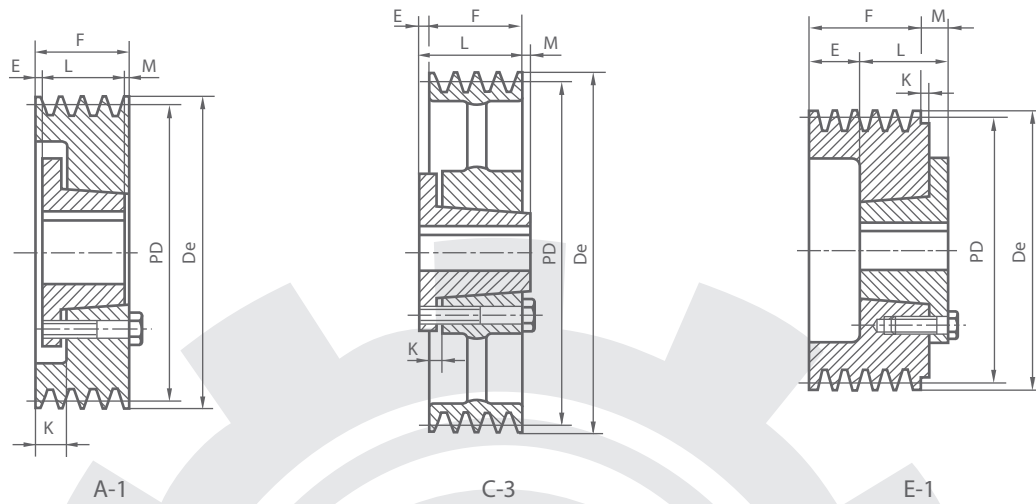
QTL BUSH	Bore	
	Min	Max
JA	1/2	1 1/4
SH	1/2	1 5/16
SD	1/2	2
SK	1/2	2 5/8
SF	1/2	2 15/16
E	7/8	3 1/2



Standard Keyseats

Bore Range	Keyseat
15/16"-11/4"	1/4"x1/8"
15/16"-13/8	5/16x5/32
17/16"-13/4	3/8x3/16
1 13/16"-2 1/4	1/2x1/4
2 5/16"-2 3/4	5/8x5/16
2 13/16"-3 1/4	3/4x3/8
3 3/8"-3 3/4	7/8x7/16

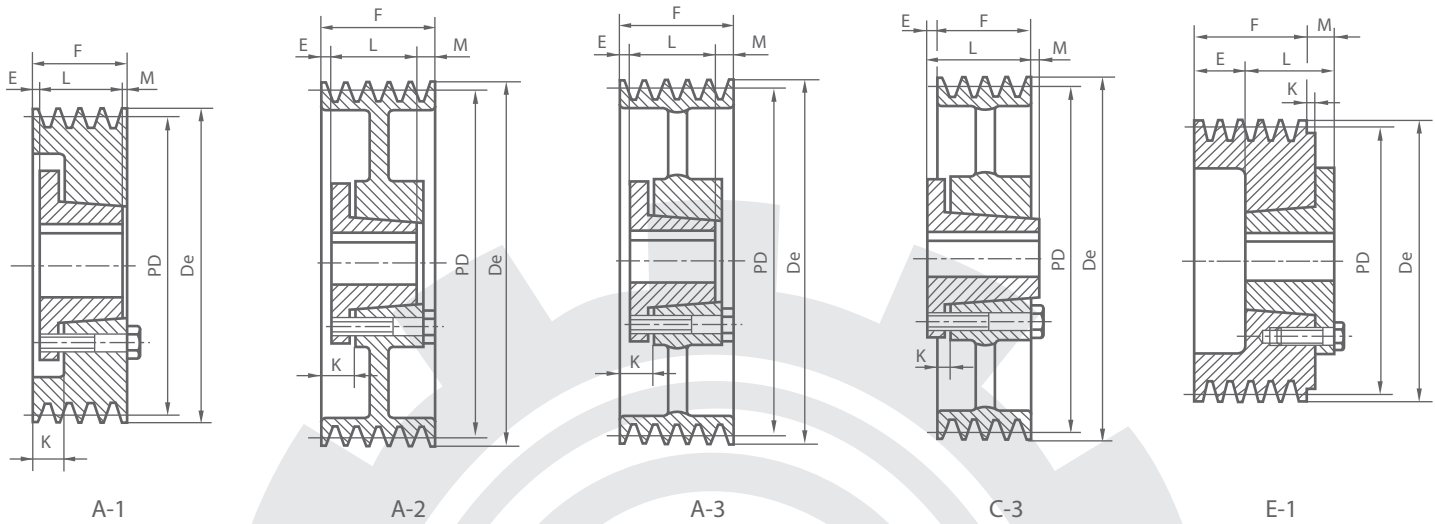
1 3/8" Bore Bushings also available with 3/8"x3/16" Keyseat.



5V-2

F=1 11/16"(42.86mm)

SHEAVE	De	Dp	Bush Max Bore	Bush	Type	Db	E	K	L	M	WT Less Bush
2-5V440-SH	4.40	4.30	1 11/16	SH	A1	—	5/16	7/8	1 5/16	1/16	4.0
2-5V465-SDS	4.65	4.55	2	SDS	E1	—	15/16	—	1 3/8	5/8	4.5
2-5V490-SDS	4.90	4.80	2	SDS	A1	—	1/16	1 1/16	1 3/8	1/4	5.0
2-5V520-SDS	5.20	5.10	2	SDS	A1	—	1/16	1 1/16	1 3/8	1/4	5.5
2-5V550-SDS	5.50	5.40	2	SDS	A1	—	1/16	1 1/16	1 3/8	1/4	6.0
2-5V590-SDS	5.90	5.80	2	SDS	A1	—	1/16	1 1/16	1 3/8	1/4	7.0
2-5V630-SK	6.30	6.20	2 5/8	SK	C1	—	1/4	7/16	1 15/16	—	8.0
2-5V670-SK	6.70	6.60	2 5/8	SK	C1	—	1/4	7/16	1 15/16	—	10
2-5V710-SK	7.10	7.00	2 5/8	SK	C1	—	1/4	7/16	1 15/16	—	11
2-5V750-SK	7.50	7.40	2 5/8	SK	C1	—	1/4	7/16	1 15/16	—	13
2-5V500-SK	8.00	7.90	2 5/8	SK	C1	—	1/4	7/16	1 15/16	—	14
2-5V850-SK	8.50	8.40	2 5/8	SK	C1	—	1/4	7/16	1 15/16	—	15
2-5V900-SK	9.00	8.90	2 5/8	SK	C2	4 3/8	1/4	7/16	1 15/16	—	16
2-5V925-SK	9.25	9.15	2 5/8	SK	C2	4 3/8	1/4	7/16	1 15/16	—	16
2-5V975-SK	9.75	9.65	2 5/8	SK	C3	4 3/8	1/4	7/16	1 15/16	—	17
2-5V1030-SK	10.30	10.20	2 5/8	SK	C3	4 3/8	1/4	7/16	1 15/16	—	18
2-5V1090-SK	10.90	10.80	2 5/8	SK	C3	4 3/8	1/4	7/16	1 15/16	—	19
2-5V1130-SK	11.30	11.20	2 5/8	SK	C3	4 3/8	1/4	7/16	1 15/16	—	19
2-5V1180-SK	11.80	11.70	2 5/8	SK	C3	4 3/8	1/4	7/16	1 15/16	—	20
2-5V1250-SF	12.50	12.40	2 15/16	SF	C3	5	1/4	7/16	2 1/16	1/8	25
2-5V1320-SF	13.20	13.10	2 15/16	SF	C3	5	1/4	7/16	2 1/16	1/8	27
2-5V1400-SF	14.00	13.90	2 15/16	SF	C3	5	1/4	7/16	2 1/16	1/8	28
2-5V1500-SF	15.00	14.90	2 15/16	SF	C3	5	1/4	7/16	2 1/16	1/8	30
2-5V1600-SF	16.00	15.90	2 15/16	SF	C3	5	1/4	7/16	2 1/16	1/8	34
2-5V1870-SF	18.70	18.60	2 15/16	SF	C3	5	1/4	7/16	2 1/16	1/8	49
2-5V2120-SF	21.20	20.10	2 15/16	SF	C3	5	1/4	7/16	2 1/16	1/8	50
2-5V2360-E	23.60	23.50	3 1/2	E	C3	6 1/4	5/8	1/4	2 5/8	5/16	72
2-5V2800-E	28.00	27.90	3 1/2	E	C3	6 1/4	5/8	1/4	2 5/8	5/16	80



5V-3

F=2 3/8"(60.33mm)

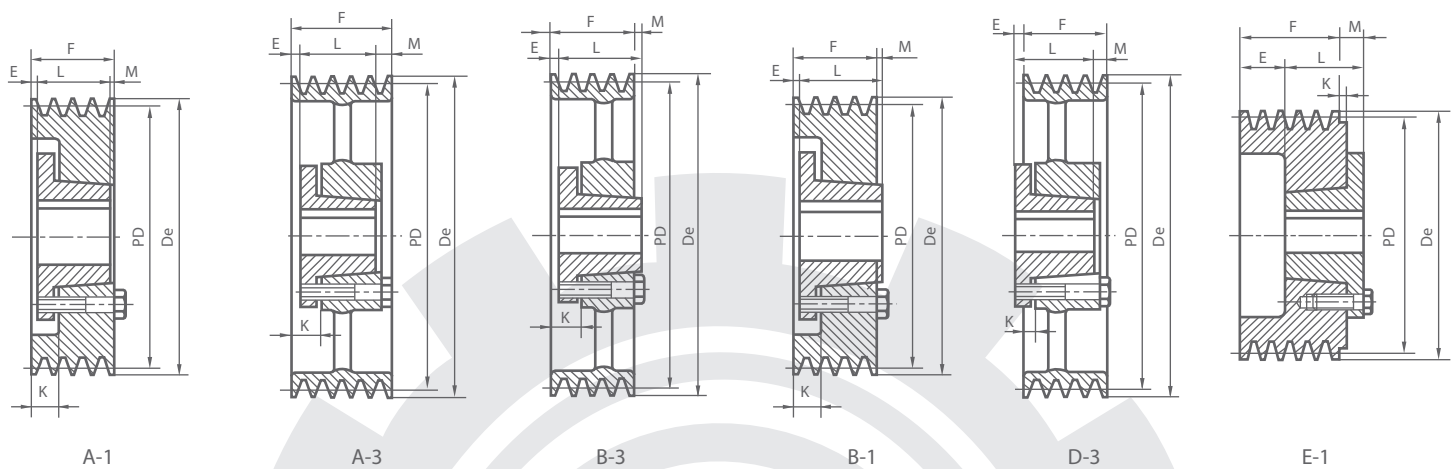
SHEAVE	De	Dp	Bush Max Bore	Bush	Type	Db	E	K	L	M	WT Less Bush
3-5V440-SDS	4.40	4.30	2	SDS	E1	3 1/2	1 5/8	-	1 3/8	5/8	5.5
3-5V465-SDS	4.65	4.55	2	SDS	E1	3 1/2	1 5/8	-	1 3/8	5/8	6.5
3-5V490-SDS	4.90	4.80	2	SDS	A1	—	7/16	1 1/16	1 3/8	9/16	7.0
3-5V520-SDS	5.20	5.10	2	SDS	A1	—	7/16	1 1/16	1 3/8	9/16	7.5
3-5V550-SDS	5.50	5.40	2	SDS	A1	—	7/16	1 1/16	1 3/8	9/16	8.0
3-5V590-SDS	5.90	5.80	2	SDS	A1	—	7/16	1 1/16	1 3/8	9/16	8.5
3-5V630-SK	6.30	6.20	2 5/8	SK	A1	—	3/8	1 1/16	1 15/16	1/16	11.0
3-5V670-SK	6.70	6.60	2 5/8	SK	A1	—	3/8	1 1/16	1 15/16	1/16	11.5
3-5V710-SF	7.10	7.00	2 15/16	SF	A1	—	5/16	1	2 1/16	—	13.0
3-5V750-SF	7.50	7.40	2 15/16	SF	A1	—	5/16	1	2 1/16	—	14.0
3-5V800-SF	8.00	7.90	2 15/16	SF	A1	—	5/16	1	2 1/16	—	15.0
3-5V850-SF	8.50	8.40	2 15/16	SF	A2	5	5/16	1	2 1/16	—	16.0
3-5V900-SF	9.00	8.90	2 15/16	SF	A2	5	5/16	1	2 1/16	—	17.0
3-5V925-SF	9.25	9.15	2 15/16	SF	A2	5	5/16	1	2 1/16	—	18.0
3-5V975-SF	9.75	9.65	2 15/16	SF	A2	5	5/16	1	2 1/16	—	19.0
3-5V1030-SF	10.30	10.20	2 15/16	SF	A2	5	5/16	1	2 1/16	—	22.0
3-5V1090-SF	10.90	10.80	2 15/16	SF	A2	5	5/16	1	2 1/16	—	25.0
3-5V1130-SF	11.30	11.20	2 15/16	SF	A3	5	5/16	1	2 1/16	—	26.0
3-5V1180-SF	11.80	11.70	2 15/16	SF	A3	5	5/16	1	2 1/16	—	28.0
3-5V1250-E	12.50	12.40	3 1/2	E	C3	6 1/4	1/8	3/4	2 5/8	1/8	34.0
3-5V1320-E	13.20	13.10	3 1/2	E	C3	6 1/4	1/8	3/4	2 5/8	1/8	38.0
3-5V1400-E	14.00	13.90	3 1/2	E	C3	6 1/4	1/8	3/4	2 5/8	1/8	43.0
3-5V1500-E	15.00	14.90	3 1/2	E	C3	6 1/4	1/8	3/4	2 5/8	1/8	44.0
3-5V1600-E	16.00	15.90	3 1/2	E	C3	6 1/4	1/8	3/4	2 5/8	1/8	46.0
3-5V1870-E	18.70	18.60	3 1/2	E	C3	6 1/4	1/8	3/4	2 5/8	1/8	60.0
3-5V2120-E	21.20	21.10	3 1/2	E	C3	6 1/4	1/8	3/4	2 5/8	1/8	68.0
3-5V2360-E	23.60	23.50	3 1/2	E	C3	6 1/4	1/8	3/4	2 5/8	1/8	80.0
3-5V2800-E	28.00	27.90	3 1/2	E	C3	6 1/4	1/8	3/4	2 5/8	1/8	92.0
3-5V3150-F	31.50	31.40	3 15/16	F	C3	7	7/16	9/16	3 5/8	13/16	136
3-5V3750-F	37.50	37.40	3 15/16	F	C3	7	7/16	9/16	3 5/8	13/16	156
3-5V5000-F	50.00	49.90	3 15/16	F	C3	7	7/16	9/16	3 5/8	13/16	210

**T_{aper}
B_{ore}** V-pulleys

3V-5V-8V

Cast Iron Sheaves

QTL



5V-4

F=3 1/16"(77.79mm)

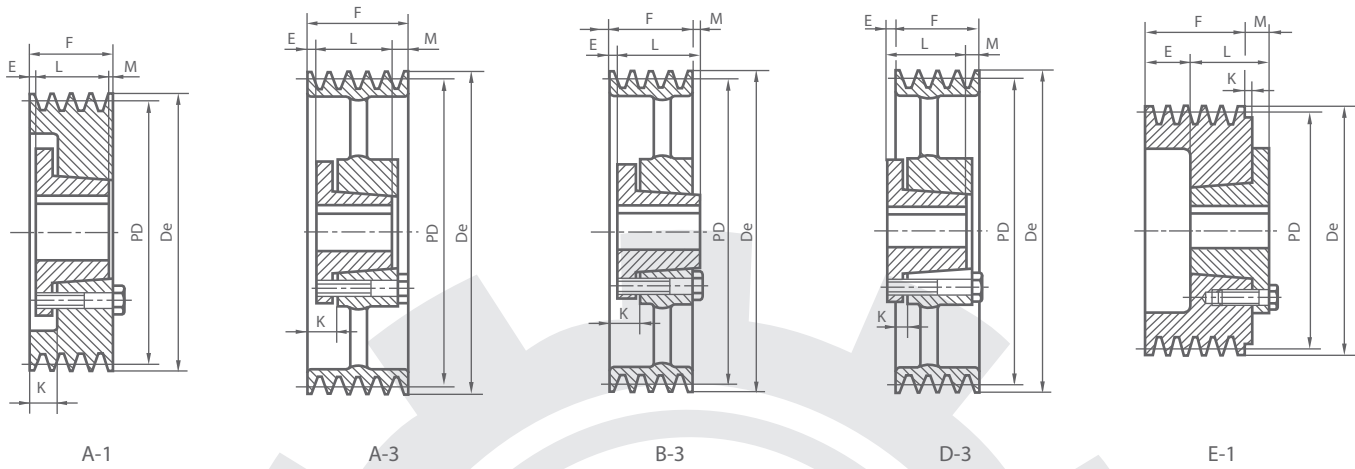
SHEAVE	De	Dp	Bush Max Bore	Bush	Type	Db	E	K	L	M	WT Less Bush
4-5V440-SD	4.40	4.30	2	SD	E1	3 1/2	1 7/8	—	1 13/16	5/8	5.0
4-5V465-SD	4.65	4.55	2	SD	E1	3 1/2	1 7/8	—	1 13/16	5/8	6.0
4-5V490-SD	4.90	4.80	2	SD	A1	—	1 11/16	1 5/16	1 13/16	9/16	7.0
4-5V520-SD	5.20	5.10	2	SD	A1	—	1 11/16	1 5/16	1 13/16	9/16	8.0
4-5V550-SD	5.50	5.40	2	SD	A1	—	1 11/16	1 5/16	1 13/16	9/16	9.0
4-5V590-SD	5.90	5.80	2	SD	A1	—	1 11/16	1 5/16	1 13/16	9/16	10.8
4-5V630-SK	6.30	6.20	2 5/8	SK	A1	—	5/8	1 5/16	1 15/16	1/2	12.0
4-5V670-SK	6.70	6.60	2 5/8	SK	A1	—	5/8	1 5/16	1 15/16	1/2	14.0
4-5V710-SF	7.10	7.00	2 15/16	SF	A1	—	3/8	1 1/16	2 1/16	5/8	15.0
4-5V750-SF	7.50	7.40	2 15/16	SF	A1	—	3/8	1 1/16	2 1/16	5/8	16.0
4-5V800-E	8.00	7.90	3 1/2	E	B1	—	9/16	1 7/16	2 5/8	1/8	19.0
4-5V850-E	8.50	8.40	3 1/2	E	B1	—	9/16	1 7/16	2 5/8	1/8	23.0
4-5V900-E	9.00	8.90	3 1/2	E	B1	—	9/16	1 7/16	2 5/8	1/8	25.0
4-5V925-E	9.25	9.15	3 1/2	E	B1	—	9/16	1 7/16	2 5/8	1/8	26.0
4-5V975-E	9.75	9.65	3 1/2	E	B1	—	9/16	1 7/16	2 5/8	1/8	28.0
4-5V1030-E	10.30	10.20	3 1/2	E	B1	—	9/16	1 7/16	2 5/8	1/8	30.0
4-5V1090-E	10.90	10.80	3 1/2	E	B1	—	9/16	1 7/16	2 5/8	1/8	39.0
4-5V1130-E	11.30	11.20	3 1/2	E	B1	—	9/16	1 7/16	2 5/8	1/8	40.0
4-5V1180-E	11.80	11.70	3 1/2	E	B1	—	9/16	1 7/16	2 5/8	1/8	41.0
4-5V1250-E	12.50	12.40	3 1/2	E	B3	6 1/4	9/16	1 7/16	2 5/8	1/8	43.0
4-5V1320-E	13.20	13.10	3 1/2	E	B3	6 1/4	9/16	1 7/16	2 5/8	1/8	45.0
4-5V1400-E	14.00	13.90	3 1/2	E	B3	6 1/4	9/16	1 7/16	2 5/8	1/8	46.0
4-5V1500-E	15.00	14.90	3 1/2	E	B3	6 1/4	9/16	1 7/16	2 5/8	1/8	47.0
4-5V1600-E	16.00	15.90	3 1/2	E	B3	6 1/4	9/16	1 7/16	2 5/8	1/8	49.0
4-5V1870-E	18.70	18.60	3 1/2	E	A3	6 1/4	3/8	1 1/4	2 5/8	1/16	71.0
4-5V2120-E	20.20	21.10	3 1/2	E	A3	6 1/4	3/8	1 1/4	2 5/8	1/16	72.0
4-5V2360-F	23.60	23.50	3 15/16	F	C3	7	1/8	7/8	3 5/8	7/16	111
4-5V2800-F	28.00	27.90	3 15/16	F	C3	7	1/8	7/8	3 5/8	7/16	118
4-5V3150-F	31.50	31.40	3 15/16	F	C3	7	1/8	7/8	3 5/8	7/16	147
4-5V3750-F	37.50	37.40	3 15/16	F	C3	7	1/8	7/8	3 5/8	7/16	178
4-5V5000-J	50.00	49.90	4 1/2	J	C3	7 3/4	1/2	1 11/16	4 1/2	15/16	266

**T_{aper}
B_{ore}** V-pulleys

3V-5V-8V

Cast Iron Sheaves

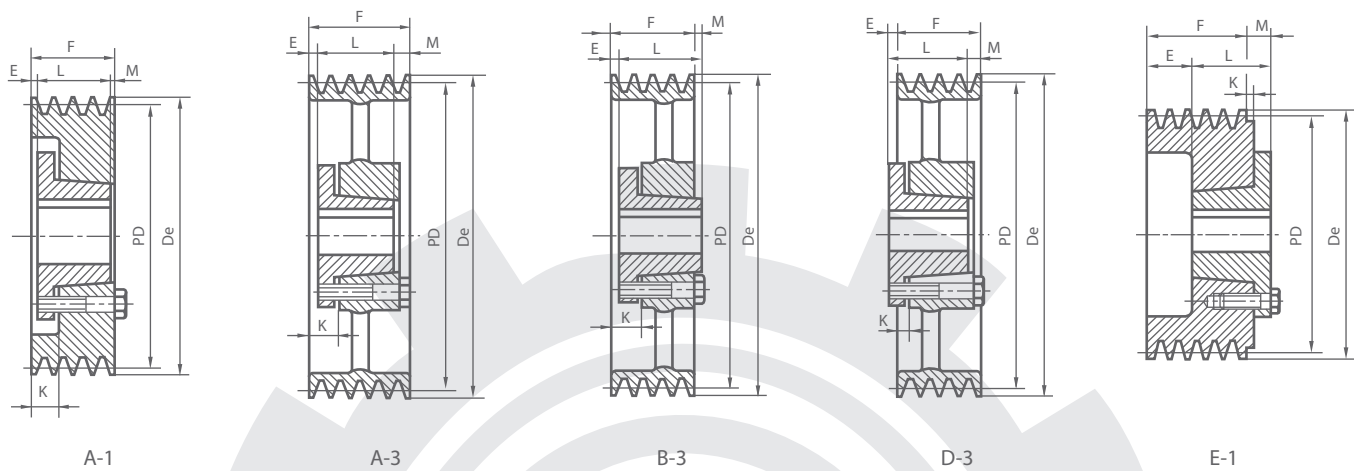
QTL



5V-5

F=3 3/4"(95.25mm)

SHEAVE	De	Dp	Bush Max Bore	Bush	Type	Db	E	K	L	M	WT Less Bush
5-5V440-SD	4.40	4.30	2	SD	E1	3 1/2	29/16	—	1 13/16	5/8	6.0
5-5V465-SD	4.65	4.55	2	SD	E1	3 1/2	29/16	—	1 13/16	5/8	7.0
5-5V490-SD	4.90	4.80	2	SD	A1	—	11/16	15/16	1 13/16	1 1/4	8.0
5-5V520-SD	5.20	5.10	2	SD	A1	—	11/16	15/16	1 13/16	1 1/4	9.0
5-5V550-SD	5.50	5.40	2	SD	A1	—	11/16	15/16	1 13/16	1 1/4	10
5-5V590-SK	5.90	5.80	2	SK	A1	—	5/8	15/16	1 15/16	1 3/16	11
5-5V630-SK	6.30	6.20	25/8	SK	A1	—	5/8	15/16	1 15/16	1 3/16	12
5-5V670-SF	6.70	6.60	25/8	SF	A1	—	5/8	15/16	2 1/16	1 1/16	16
5-5V710-SF	7.10	7.00	2 15/16	SF	A1	—	11/16	13/8	2 1/16	1	14
5-5V750-SF	7.50	7.40	2 15/16	SF	A1	—	11/16	13/8	2 1/16	1	13
5-5V800-E	8.00	7.90	3 1/2	E	A1	—	7/8	13/4	2 5/8	1/4	19
5-5V850-E	8.50	8.40	3 1/2	E	A1	—	7/8	13/4	2 5/8	1/4	22
5-5V900-E	9.00	8.90	3 1/2	E	A1	—	7/8	13/4	2 5/8	1/4	26
5-5V925-E	9.25	9.15	3 1/2	E	A1	—	7/8	13/4	2 5/8	1/4	28
5-5V975-E	9.75	9.65	3 1/2	E	A1	—	7/8	13/4	2 5/8	1/4	30
5-5V1030-E	10.30	10.20	3 1/2	E	A1	—	7/8	13/4	2 5/8	1/4	33
5-5V1090-E	10.90	10.80	3 1/2	E	A1	—	7/8	13/4	2 5/8	1/4	41
5-5V1130-E	11.30	11.20	3 1/2	E	A1	—	7/8	13/4	2 5/8	1/4	42
5-5V1180-E	11.80	11.70	3 1/2	E	A1	—	7/8	13/4	2 5/8	1/4	44
5-5V1250-E	12.50	12.40	3 1/2	E	A3	6 1/4	7/8	13/4	2 5/8	1/4	45
5-5V1320-E	13.20	13.10	3 1/2	E	A3	6 1/4	7/8	13/4	2 5/8	1/4	46
5-5V1400-E	14.00	13.90	3 1/2	E	A3	6 1/4	7/8	13/4	2 5/8	1/4	47
5-5V1500-E	15.00	14.90	3 1/2	E	A3	6 1/4	7/8	13/4	2 5/8	1/4	53
5-5V1600-E	16.00	15.90	3 1/2	E	A3	6 1/4	7/8	13/4	2 5/8	1/4	56
5-5V1870-F	18.70	18.60	3 1/2	F	B3	7	5/16	15/16	3 5/8	3/16	96
5-5V2120-F	21.20	21.10	3 1/2	F	B3	7	5/16	15/16	3 5/8	3/16	98
5-5V2360-F	23.60	23.50	3 15/16	F	B3	7	5/16	15/16	3 5/8	3/16	120
5-5V2800-F	28.00	27.90	3 15/16	F	B3	7	5/16	15/16	3 5/8	3/16	135
5-5V3150-J	31.50	31.40	3 15/16	J	C3	7 3/4	3/16	1	4 1/2	9/16	188
5-5V3750-J	37.50	37.40	3 15/16	J	C3	7 3/4	3/16	1	4 1/2	9/16	224
5-5V5000-J	50.00	49.90	4 1/2	J	C3	7 3/4	3/16	1	4 1/2	9/16	308



5V-6

F=4 7/16"(112.71mm)

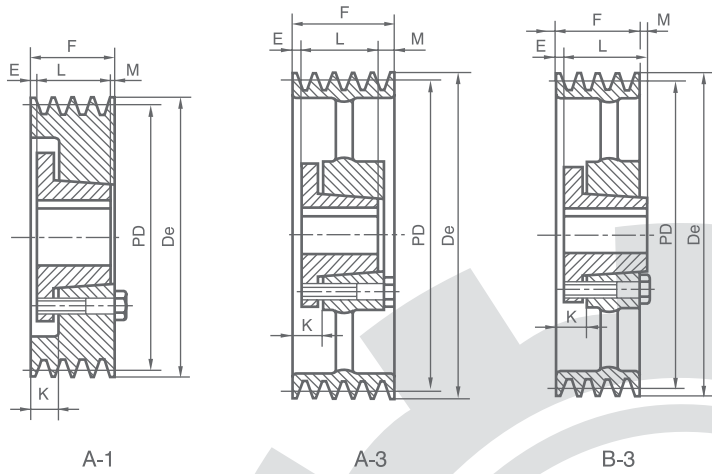
SHEAVE	De	Dp	Bush Max Bore	Bush	Type	Db	E	K	L	M	WT Less Bush
6-5V440-SD	4.40	4.30	2	SD	E1	3 1/2	3 1/4	-	1 13/16	5/8	7.0
6-5V465-SD	4.65	4.55	2	SD	E1	3 1/2	3 1/4	-	1 13/16	5/8	7.8
6-5V490-SD	4.90	4.80	2	SD	A1	—	1 11/16	1 5/16	1 13/16	1 15/16	9.0
6-5V520-SD	5.20	5.10	2	SD	A1	—	1 11/16	1 5/16	1 13/16	1 15/16	10.8
6-5V550-SD	5.50	5.40	2	SD	A1	—	1 11/16	1 5/16	1 13/16	1 15/16	11.3
6-5V590-SK	5.90	5.80	2 5/8	SK	A1	—	5/8	1 5/16	1 15/16	1 7/8	12.0
6-5V630-SK	6.30	6.20	2 5/8	SK	A1	—	5/8	1 5/16	1 15/16	1 7/8	13.0
6-5V670-SF	6.70	6.60	2 15/16	SF	A1	—	15/16	1 5/8	2 1/16	1 7/16	14.0
6-5V710-SF	7.10	7.00	2 15/16	SF	A1	—	15/16	1 5/8	2 1/16	1 7/16	15.0
6-5V750-SF	7.50	7.40	2 15/16	SF	A1	—	15/16	1 5/8	2 1/16	1 7/16	17.0
6-5V800-E	8.00	7.90	3 1/2	E	A1	—	1 1/8	2	2 5/8	1 11/16	20.0
6-5V850-E	8.50	8.40	3 1/2	E	A1	—	1 1/8	2	2 5/8	1 11/16	25.0
6-5V900-E	9.00	8.90	3 1/2	E	A1	—	1 1/8	2	2 5/8	1 11/16	28.0
6-5V925-E	9.25	9.15	3 1/2	E	A1	—	1 1/8	2	2 5/8	1 11/16	29.0
6-5V975-E	9.75	9.65	3 1/2	E	A1	—	1 1/8	2	2 5/8	1 11/16	31.0
6-5V1030-E	10.30	10.20	3 1/2	E	A1	—	1 1/8	2	2 5/8	1 11/16	33.0
6-5V1090-E	10.90	10.80	3 1/2	E	A1	—	1 1/8	2	2 5/8	1 11/16	38.0
6-5V1130-E	11.30	11.20	3 1/2	E	A1	—	1 1/8	2	2 5/8	1 11/16	41.0
6-5V1180-E	11.80	11.70	3 1/2	E	A1	—	1 1/8	2	2 5/8	1 11/16	43.0
6-5V1250-F	12.50	12.40	3 15/16	F	B3	7	1 11/16	2 1/16	3 5/8	1/4	45.0
6-5V1320-F	13.20	13.10	3 15/16	F	B3	7	1 11/16	2 1/16	3 5/8	1/4	48.0
6-5V1400-F	14.00	13.90	3 15/16	F	B3	7	1 11/16	2 1/16	3 5/8	1/4	59.0
6-5V1500-F	15.00	14.90	3 15/16	F	B3	7	1 11/16	2 1/16	3 5/8	1/4	64.0
6-5V1600-F	16.00	15.90	3 15/16	F	B3	7	1 11/16	2 1/16	3 5/8	1/4	68.0
6-5V1870-F	18.70	18.60	3 15/16	F	A3	7	5/16	1 5/16	3 5/8	1/2	84.0
6-5V2120-F	21.20	21.10	3 15/16	F	A3	7	5/16	1 5/16	3 5/8	1/2	110
6-5V2360-J	23.60	23.50	4 1/2	J	B3	7 3/4	1/8	1 5/16	4 1/2	3/16	148
6-5V2800-J	28.00	27.90	4 1/2	J	B3	7 3/4	1/8	1 5/16	4 1/2	3/16	169
6-5V3150-J	31.50	31.40	4 1/2	J	B3	7 3/4	1/8	1 5/16	4 1/2	3/16	206
6-5V3750-J	37.50	37.40	4 1/2	J	B3	7 3/4	1/8	1 5/16	4 1/2	3/16	241
6-5V5000-M	50.00	49.90	5 1/2	M	C3	9 1/2	1/8	1/2	6 3/4	1 3/8	388

**T_{aper}
B_{ore}** V-pulleys

3V-5V-8V

Cast Iron Sheaves

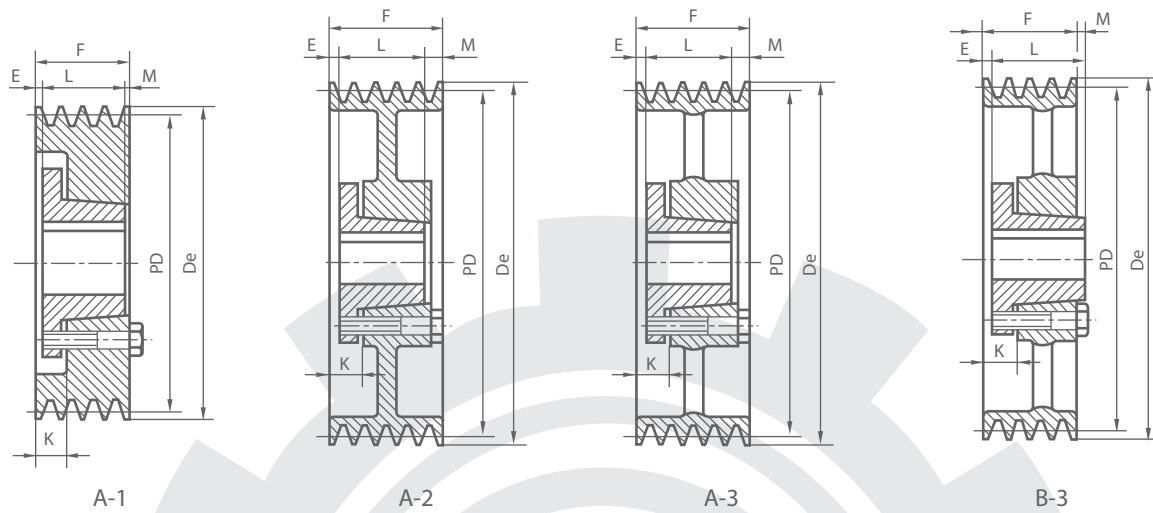
QTL



5V-8

F=5 13/16"(147.64mm)

SHEAVE	De	Dp	Bush Max Bore	Bush	Type	Db	E	K	L	M	WT Less Bush
8-5V710-SF	7.10	7.00	215/16	SF	A1	—	17/16	21/8	21/16	25/16	19
8-5V750-SF	7.50	7.40	215/16	SF	A1	—	17/16	21/8	21/16	25/16	20
8-5V800-E	8.00	7.90	31/2	E	A1	—	15/8	21/2	25/8	19/16	25
8-5V850-E	8.50	8.40	31/2	E	A1	—	15/8	21/2	25/8	19/16	29
8-5V900-E	9.00	8.90	31/2	E	A1	—	15/8	21/2	25/8	19/16	32
8-5V925-F	9.25	9.15	31/2	F	A1	—	19/16	29/16	35/8	5/8	39
8-5V975-F	9.75	9.65	315/16	F	A1	—	19/16	29/16	35/8	5/8	42
8-5V1030-F	10.30	10.20	315/16	F	A1	—	19/16	29/16	35/8	5/8	52
8-5V1090-F	10.90	10.80	315/16	F	A1	—	19/16	29/16	35/8	5/8	59
8-5V1130-F	11.30	11.20	315/16	F	A1	—	19/16	29/16	35/8	5/8	62
8-5V1180-F	11.80	11.70	315/16	F	A1	—	19/16	29/16	35/8	5/8	64
8-5V1250-F	12.50	12.40	315/16	F	A3	7	19/16	29/16	35/8	5/8	66
8-5V1320-F	13.20	13.10	315/16	F	A3	7	19/16	29/16	35/8	5/8	68
8-5V1400-F	14.00	13.90	315/16	F	A3	7	19/16	29/16	35/8	5/8	70
8-5V1500-F	15.00	14.90	315/16	F	A3	7	19/16	29/16	35/8	5/8	73
8-5V1600-F	16.00	15.90	315/16	F	A3	7	19/16	19/16	35/8	5/8	89
8-5V1870-J	18.70	18.60	41/2	J	A3	73/4	3/8	19/16	41/2	15/16	132
8-5V2120-J	21.20	21.10	41/2	J	A3	73/4	3/8	19/16	41/2	15/16	150
8-5V2360-J	23.60	23.50	41/2	J	A3	73/4	3/8	19/16	41/2	15/16	162
8-5V2800-J	28.00	27.90	41/2	J	A3	73/4	3/8	19/16	41/2	15/16	191
8-5V3150-M	31.50	31.40	51/2	M	B3	91/2	1/2	115/16	63/4	17/16	298
8-5V3750-M	37.50	37.40	51/2	M	B3	91/2	1/2	115/16	63/4	17/16	319
8-5V5000-M	50.00	49.90	51/2	M	B3	91/2	1/2	115/16	63/4	17/16	497



5V-10

F=7 3/16"(182.56mm)

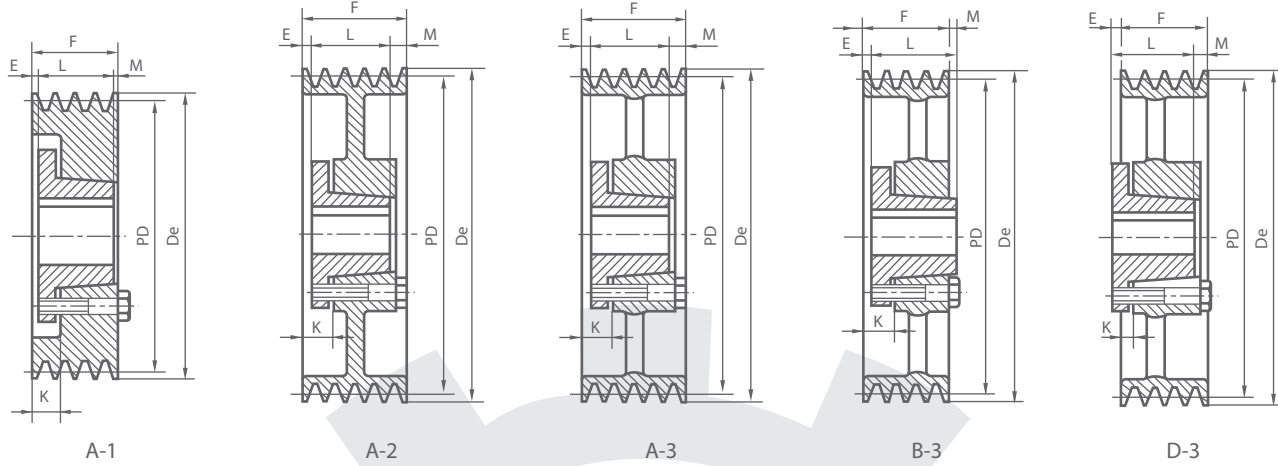
SHEAVE	De	Dp	Bush Max Bore	Bush	Type	Db	E	K	L	M	WT Less Bush
10-5V800-E	8.00	7.90	31/2	E	A1	—	23/8	31/4	25/8	23/16	27
10-5V850-E	8.50	8.40	31/2	E	A1	—	23/8	31/4	25/8	23/16	32
10-5V900-F	9.00	8.90	315/16	F	A1	—	25/16	35/16	35/8	11/4	41
10-5V925-F	9.25	9.15	315/16	F	A1	—	25/16	35/16	35/8	11/4	47
10-5V975-F	9.75	9.65	315/16	F	A1	—	25/16	35/16	35/8	11/4	58
10-5V1030-F	10.30	10.20	315/16	F	A1	—	25/16	35/16	35/8	11/4	66
10-5V1090-F	10.90	10.80	315/16	F	A1	—	25/16	35/16	35/8	11/4	75
10-5V1130-F	11.30	11.20	315/16	F	A1	—	25/16	35/16	35/8	11/4	79
10-5V1180-F	11.80	11.70	315/16	F	A1	—	25/16	35/16	35/8	11/4	80
10-5V1250-J	12.50	12.40	41/2	J	A1	—	23/8	39/16	41/2	5/16	82
10-5V1320-J	13.20	13.10	41/2	J	A1	—	23/8	39/16	41/2	5/16	85
10-5V1400-J	14.00	13.90	41/2	J	A2	73/4	23/8	39/16	41/2	5/16	90
10-5V1500-J	15.00	14.90	41/2	J	A2	73/4	23/8	39/16	41/2	5/16	92
10-5V1600-J	16.00	15.90	41/2	J	A2	—	23/8	39/16	41/2	5/16	102
10-5V1870-J	18.70	18.60	41/2	J	A3	73/4	3/8	19/16	41/2	23/16	150
10-5V2120-J	21.20	21.10	41/2	J	A3	73/4	3/8	19/16	41/2	23/16	164
10-5V2360-M	23.60	23.50	41/2	M	B3	91/2	1/2	115/16	63/4	1/16	258
10-5V2800-M	28.00	27.90	51/2	M	B3	91/2	1/2	115/16	63/4	1/16	278
10-5V3150-M	31.50	31.40	51/2	M	B3	91/2	1/2	115/16	63/4	1/16	318
10-5V3750-M	37.50	37.40	51/2	M	B3	91/2	1/2	115/16	63/4	1/16	340
10-5V5000-M	50.00	49.90	51/2	M	B3	91/2	1/2	115/16	63/4	1/16	538

**T_{aper}
B_{ore}** V-pulleys

3V-5V-8V

Cast Iron Sheaves

QTL



8V-4

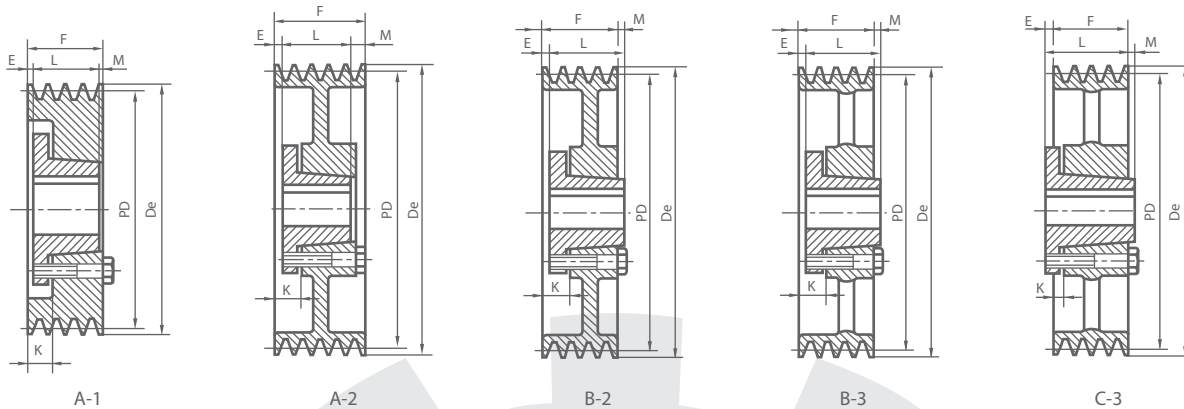
F=4 7/8"(123.83mm)

SHEAVE	De	Dp	Bush Max Bore	Bush	Type	Db	E	K	L	M	WT Less Bush
4-8V1250-F	12.50	12.30	3/15/16	F	A1	—	3/16	13/16	35/8	11/16	63
4-8V1320-F	13.20	13.00	3/15/16	F	A2	7	3/16	13/16	35/8	11/16	66
4-8V1400-F	14.00	13.80	3/15/16	F	A2	7	3/16	13/16	35/8	11/16	70
4-8V1500-F	15.00	14.80	3/15/16	F	A2	7	3/16	13/16	35/8	11/16	74
4-8V1600-F	16.00	15.80	3/15/16	F	A2	7	3/16	13/16	35/8	11/16	82
4-8V1700-F	17.00	16.80	3/15/16	F	A3	7	3/16	13/16	35/8	11/16	94
4-8V1800-F	18.00	17.80	3/15/16	F	A3	7	3/16	13/16	35/8	11/16	99
4-8V1900-F	19.00	18.80	3/15/16	F	A3	7	3/16	13/16	35/8	11/16	105
4-8V2000-J	20.00	19.80	4 1/2	J	A3	7 3/4	1/4	17/16	4 1/2	1/8	141
4-8V2120-J	21.20	21.00	4 1/2	J	A3	7 3/4	1/4	17/16	4 1/2	1/8	150
4-8V2240-J	22.40	22.20	4 1/2	J	A3	7 3/4	1/4	17/16	4 1/2	1/8	177
4-8V2480-M	24.80	24.60	5 1/2	M	C3	9 1/2	5/8	13/16	6 3/4	1 1/4	223
4-8V3000-M	30.00	29.80	5 1/2	M	C3	9 1/2	5/8	13/16	6 3/4	1 1/4	285
4-8V3550-M	35.50	35.30	5 1/2	M	C3	9 1/2	5/8	13/16	6 3/4	1 1/4	305
4-8V4000-M	40.00	39.80	5 1/2	M	C3	9 1/2	5/8	13/16	6 3/4	1 1/4	355
4-8V4450-M	44.50	44.30	5 1/2	M	C3	9 1/2	5/8	13/16	6 3/4	1 1/4	369
4-8V5300-M	53.00	52.80	5 1/2	M	C3	9 1/2	3/8	13/16	6 3/4	1 1/4	478

8V-5

F=6" (152.40mm)

SHEAVE	De	Dp	Bush Max Bore	Bush	Type	Db	E	K	L	M	WT Less Bush
5-8V1250-F	12.50	12.30	3/15/16	F	A1	—	15/16	25/16	35/8	11/16	68
5-8V1320-F	13.20	13.00	3/15/16	F	A2	7	15/16	25/16	35/8	11/16	75
5-8V1400-F	14.00	13.80	3/15/16	F	A2	7	15/16	25/16	35/8	11/16	78
5-8V1500-F	15.00	14.80	3/15/16	F	A2	7	15/16	25/16	35/8	11/16	94
5-8V1600-F	16.00	15.80	3/15/16	F	A2	7	15/16	25/16	35/8	11/16	101
5-8V1700-J	17.00	16.80	4 1/2	J	A3	7 3/4	13/16	2	4 1/2	11/16	111
5-8V1800-J	18.00	17.80	4 1/2	J	A3	7 3/4	13/16	2	4 1/2	11/16	130
5-8V1900-J	19.00	18.80	4 1/2	J	A3	7 3/4	13/16	2	4 1/2	11/16	135
5-8V2000-J	20.00	19.80	4 1/2	J	A3	7 3/4	13/16	2	4 1/2	11/16	152
5-8V2120-J	21.20	21.00	4 1/2	J	A3	7 3/4	13/16	2	4 1/2	11/16	183
5-8V2240-M	22.40	22.20	5 1/2	M	B3	9 1/2	1/2	1 15/16	6 3/4	1 1/4	223
5-8V2480-M	24.80	24.60	5 1/2	M	B3	9 1/2	1/2	1 15/16	6 3/4	1 1/4	254
5-8V3000-M	30.00	29.80	5 1/2	M	B3	9 1/2	1/2	1 15/16	6 3/4	1 1/4	294
5-8V3550-M	35.50	35.30	5 1/2	M	B3	9 1/2	1/2	1 15/16	6 3/4	1 1/4	325
5-8V4000-M	40.00	39.80	5 1/2	M	B3	9 1/2	1/2	1 15/16	6 3/4	1 1/4	430
5-8V4450-N	44.50	44.30	6	N	C3	10 1/2	13/16	15/16	8 1/8	15/16	485
5-8V5300-N	53.00	52.80	6	N	C3	10 1/2	13/16	15/16	8 1/8	15/16	672



8V-6

F=7 1/8"(180.98mm)

SHEAVE	De	Dp	Bush Max Bore	Bush	Type	Db	E	K	L	M	WT Less Bush
6-8V1250-F	12.50	12.30	3/15/16	F	A1	—	15/16	25/16	35/8	23/16	86
6-8V1320-F	13.20	13.00	3/15/16	F	A1	—	15/16	25/16	35/8	23/16	94
6-8V1400-F	14.00	13.80	3/15/16	F	A1	—	15/16	25/16	35/8	23/16	108
6-8V1500-J	15.00	14.80	4/1/2	J	A1	—	13/8	29/16	4/1/2	11/4	138
6-8V1600-J	16.00	15.80	4/1/2	J	A1	—	13/8	29/16	4/1/2	11/4	142
6-8V1700-J	17.00	16.80	4/1/2	J	A2	7/3/4	13/8	29/16	4/1/2	11/4	144
6-8V1800-J	18.00	17.80	4/1/2	J	A2	7/3/4	13/8	29/16	4/1/2	11/4	160
6-8V1900-J	19.00	18.80	4/1/2	J	A2	7/3/4	13/8	29/16	4/1/2	11/4	172
6-8V2000-M	20.00	19.80	5/1/2	M	B2	9/1/2	11/2	215/16	63/4	11/8	204
6-8V2120-M	21.20	21.00	5/1/2	M	B2	9/1/2	11/2	215/16	63/4	11/8	226
6-8V2240-M	22.40	22.20	5/1/2	M	B3	9/1/2	11/2	215/16	63/4	11/8	235
6-8V2480-M	24.80	24.60	5/1/2	M	B3	9/1/2	1/2	115/16	63/4	1/8	246
6-8V3000-M	30.00	29.80	5/1/2	M	B3	9/1/2	1/2	115/16	63/4	1/8	306
6-8V3550-N	35.50	35.30	6	N	C3	101/2	5/8	11/8	81/8	3/8	466
6-8V4000-N	40.00	39.80	6	N	C3	101/2	5/8	11/8	81/8	3/8	548
6-8V4450-N	44.50	44.30	6	N	C3	101/2	5/8	11/8	81/8	3/8	590
6-8V5300-N	53.00	52.80	6	N	C3	101/2	5/8	11/8	81/8	3/8	658
6-8V6300-P	63.00	62.80	63/4	P	C3	121/4	—	2	93/8	17/8	860
6-8V7100-P	71.00	70.80	63/4	P	C3	121/4	5/8	25/8	93/8	21/2	1272

8V-8

F=9 3/8"(238.13mm)

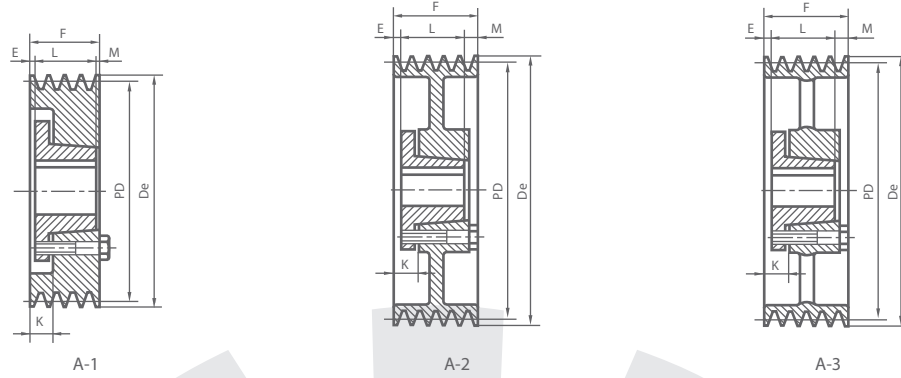
SHEAVE	De	Dp	Bush Max Bore	Bush	Type	Db	E	K	L	M	WT Less Bush
8-8V1250-J	12.50	12.30	4/1/2	J	A1	—	23/8	39/16	4/1/2	2 1/2	108
8-8V1320-J	13.20	13.00	4/1/2	J	A1	—	23/8	39/16	4/1/2	2 1/2	118
8-8V1400-J	14.00	13.80	4/1/2	J	A1	—	23/8	39/16	4/1/2	2 1/2	131
8-8V1500-J	15.00	14.80	4/1/2	J	A1	—	23/8	39/16	4/1/2	2 1/2	151
8-8V1600-J	16.00	15.80	4/1/2	J	A1	—	23/8	39/16	4/1/2	2 1/2	155
8-8V1700-M	17.00	16.80	5/1/2	M	A2	9/1/2	21/2	315/16	63/4	1/8	188
8-8V1800-M	18.00	17.80	5/1/2	M	A2	9/1/2	21/2	315/16	63/4	1/8	202
8-8V1900-M	19.00	18.80	5/1/2	M	A2	9/1/2	21/2	315/16	63/4	1/8	221
8-8V2000-M	20.00	19.80	5/1/2	M	A2	9/1/2	21/2	315/16	63/4	1/8	236
8-8V2120-M	21.20	21.00	5/1/2	M	A2	9/1/2	21/2	315/16	63/4	1/8	267
8-8V2240-M	22.40	22.20	5/1/2	M	A3	9/1/2	21/2	315/16	63/4	1/8	284
8-8V2480-N	24.80	24.60	6	N	A3	101/2	1/2	21/4	81/8	3/4	418
8-8V3000-N	30.00	29.80	6	N	A3	101/2	1/2	21/4	81/8	3/4	447
8-8V3550-N	35.50	35.30	6	N	A3	101/2	1/2	21/4	81/8	3/4	553
8-8V4000-N	40.00	39.80	6	N	A3	101/2	1/2	21/4	81/8	3/4	648
8-8V4450-P	44.50	44.30	63/4	P	B3	121/4	5/8	25/8	93/8	5/8	679
8-8V5300-P	53.00	52.80	63/4	P	B3	121/4	5/8	25/8	93/8	5/8	946
8-8V6300-P	63.00	62.80	63/4	P	B3	121/4	5/8	25/8	93/8	5/8	1372
8-8V7100-W	71.00	70.80	81/2	W	C3	16	7/8	13/8	113/8	3/4	1680

**T_{aper}
B_{ore}** V-pulleys

3V-5V-8V

Cast Iron Sheaves

QTL



8V-10

F=11 5/8"(295.28mm)

SHEAVE	De	Dp	Bush Max Bore	Bush	Type	Db	E	K	L	M	WT Less Bush
10-8V1250-J	12.50	12.30	4 1/2	J	A1	—	23/8	39/16	4 1/2	4 3/4	122
10-8V1320-J	13.20	13.00	4 1/2	J	A1	—	23/8	39/16	4 1/2	4 3/4	140
10-8V1400-J	14.00	13.80	4 1/2	J	A1	—	23/8	39/16	4 1/2	4 3/4	152
10-8V1500-M	15.00	14.80	5 1/2	M	A1	—	2 1/2	3 15/16	6 3/4	2 3/8	212
10-8V1600-M	16.00	15.80	5 1/2	M	A1	—	2 1/2	3 15/16	6 3/4	2 3/8	219
10-8V1700-M	17.00	16.80	5 1/2	M	A2	9 1/2	2 1/2	3 15/16	6 3/4	2 3/8	228
10-8V1800-M	18.00	17.80	5 1/2	M	A2	9 1/2	2 1/2	3 15/16	6 3/4	2 3/8	236
10-8V1900-M	19.00	18.80	5 1/2	M	A2	9 1/2	2 1/2	3 15/16	6 3/4	2 3/8	260
10-8V2000-M	20.00	19.80	5 1/2	M	A2	9 1/2	2 1/2	3 15/16	6 3/4	2 3/8	280
10-8V2120-M	21.20	21.00	5 1/2	M	A2	9 1/2	2 1/2	3 15/16	6 3/4	2 3/8	298
10-8V2240-N	22.40	22.20	6	N	A2	10 1/2	1/2	2 1/4	8 1/8	3	366
10-8V2480-N	24.80	24.60	6	N	A2	10 1/2	1/2	2 1/4	8 1/8	3	454
10-8V3000-N	30.00	29.80	6	N	A3	10 1/2	1/2	2 1/4	8 1/8	3	468
10-8V3550-P	35.50	35.30	6 3/4	P	A3	12 1/4	5/8	2 5/8	9 3/8	1 5/8	784
10-8V4000-P	40.00	39.80	6 3/4	P	A3	12 1/4	5/8	2 5/8	9 3/8	1 5/8	826
10-8V4450-P	44.50	44.30	6 3/4	P	A3	12 1/4	5/8	2 5/8	9 3/8	1 5/8	996
10-8V5300-P	53.00	52.80	6 3/4	P	A3	12 1/4	5/8	2 5/8	9 3/8	1 1/4	1010
10-8V6300-W	63.00	62.80	8 1/2	W	A3	16	5/8	2 7/8	11 3/8	—	1443
10-8V7100-W	71.00	70.80	8 1/2	W	A3	16	5/8	2 7/8	11 3/8	—	1842

8V-12

F=14" (355.60mm)

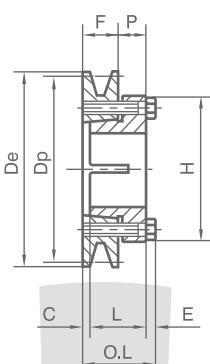
SHEAVE	De	Dp	Bush Max Bore	Bush	Type	Db	E	K	L	M	WT Less Bush
12-8V1250-M	12.50	12.30	5 1/2	M	A1	—	2 1/2	3 15/16	6 3/4	4 5/8	161
12-8V1320-M	13.20	13.00	5 1/2	M	A1	—	2 1/2	3 15/16	6 3/4	4 5/8	185
12-8V1400-M	14.00	13.80	5 1/2	M	A1	—	2 1/2	3 15/16	6 3/4	4 5/8	211
12-8V1500-M	15.00	14.80	5 1/2	M	A1	—	2 1/2	3 15/16	6 3/4	4 5/8	234
12-8V1600-M	16.00	15.80	5 1/2	M	A1	—	2 1/2	3 15/16	6 3/4	4 5/8	285
12-8V1700-M	17.00	16.80	5 1/2	M	A1	—	2 1/2	3 15/16	6 3/4	4 5/8	324
12-8V1800-M	18.00	17.80	5 1/2	M	A2	—	2 1/2	3 15/16	6 3/4	4 5/8	330
12-8V1900-N	19.00	18.80	6	N	A2	10 1/2	1/2	2 1/4	8 1/8	5 1/4	338
12-8V2000-N	20.00	19.80	6	N	A2	10 1/2	1/2	2 1/4	8 1/8	5 1/4	365
12-8V2120-N	21.20	21.00	6	N	A2	10 1/2	1/2	2 1/4	8 1/8	5 1/4	387
12-8V2240-N	22.40	22.20	6	N	A2	10 1/2	1/2	2 1/4	8 1/8	5 1/4	399
12-8V2480-N	24.80	24.60	6	N	A2	10 1/2	1/2	2 1/4	8 1/8	5 1/4	454
12-8V3000-P	30.00	29.80	6 3/4	P	A3	12 1/2	5/8	2 5/8	9 3/8	3 7/8	605
12-8V3550-P	35.50	35.30	6 3/4	P	A3	12 1/4	5/8	2 5/8	9 3/8	3 7/8	706
12-8V4000-P	40.00	39.80	6 3/4	P	A3	12 1/4	5/8	2 5/8	9 3/8	3 7/8	766
12-8V4450-P	44.50	44.30	6 3/4	P	A3	12 1/4	5/8	2 5/8	9 3/8	3 7/8	910
12-8V5300-W	53.00	52.80	8 1/2	W	A3	16	5/8	2 7/8	11 3/8	2 1/4	1333
12-8V6300-W	63.00	62.80	8 1/2	W	A3	16	5/8	2 7/8	11 3/8	2 1/4	1777
12-8V7100-W	71.00	70.80	8 1/2	W	A3	16	5/8	2 7/8	11 3/8	2 1/4	2002

**T_{aper}
B_{ore}** V-pulleys

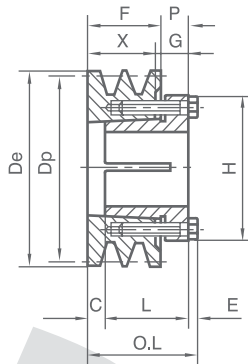
3V-5V-8V

Cast Iron Sheaves

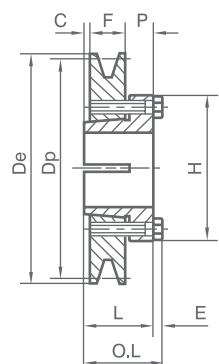
STL



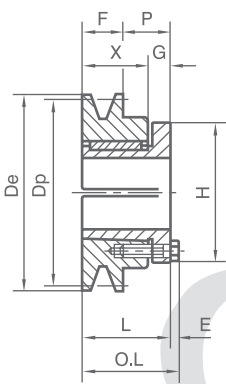
G1



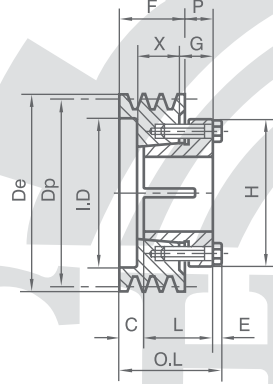
G2



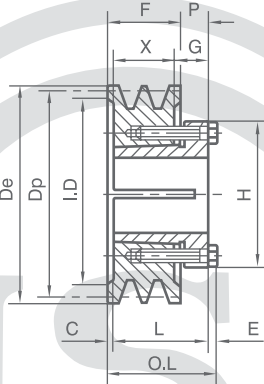
H1



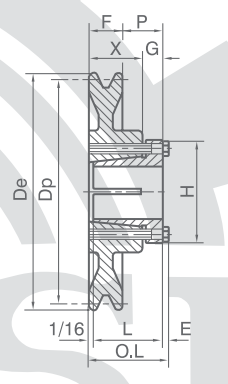
2



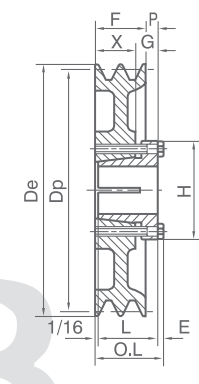
4



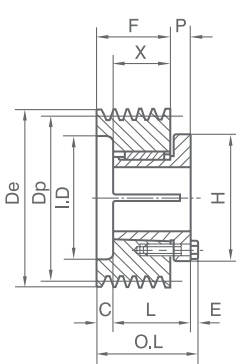
H2



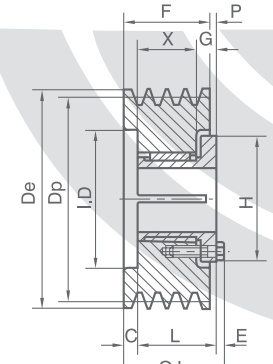
H3



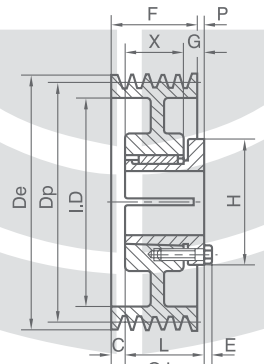
H4



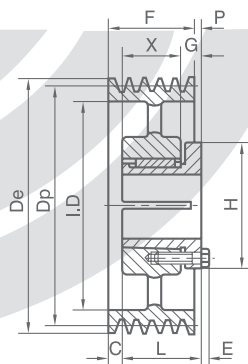
5



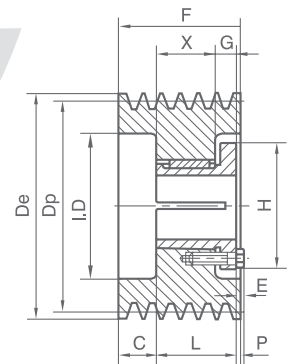
4A



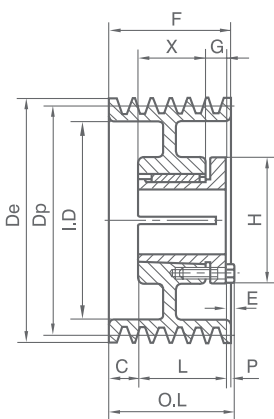
4B



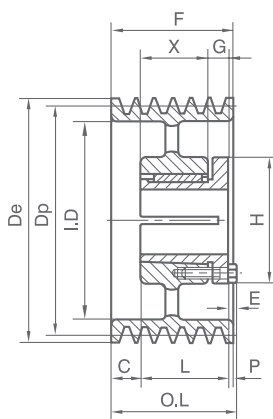
4C



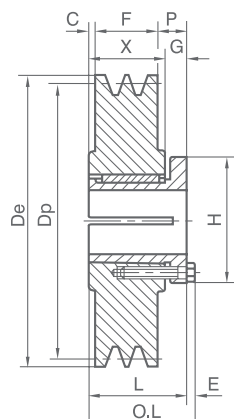
6A



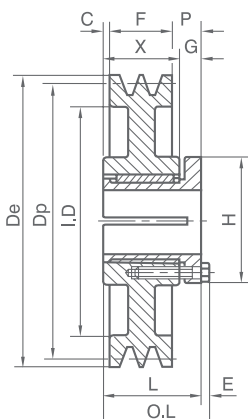
6B



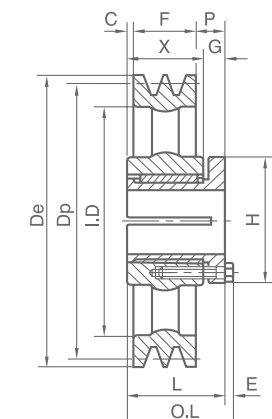
6C



7A



7B



7C



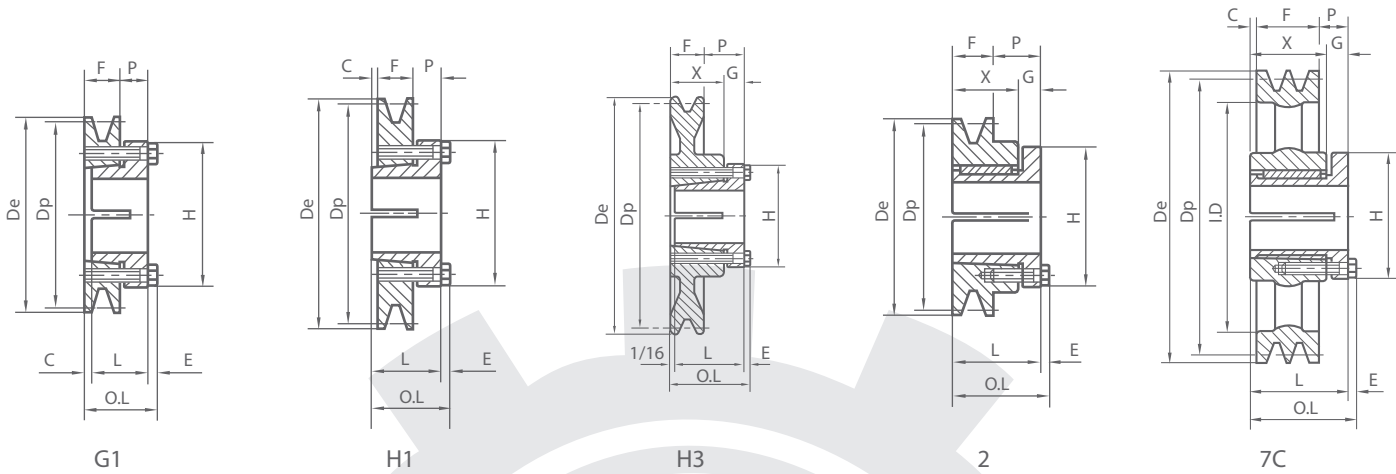
New Standard Power Transmission

**T_{aper}
B_{ore}** V-pulleys

3V-5V-8V

Cast Iron Sheaves

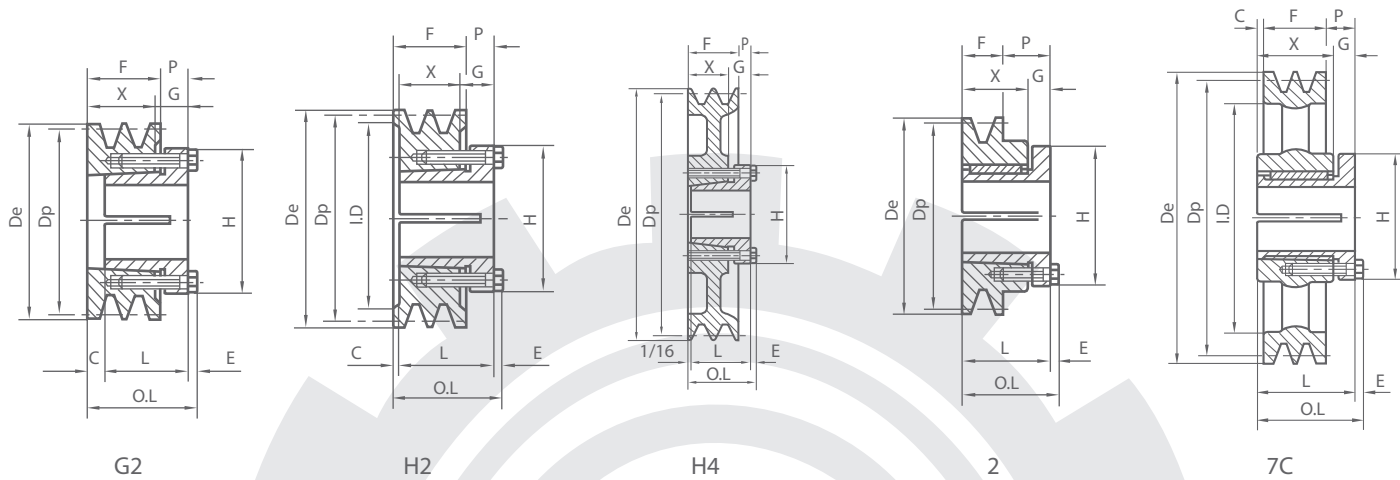
STL



3V-1

F=11/16"(17.46mm)

SHEAVE	DIAMETERS		Bushing	Type	Dimensions								wt Incl Bush	
	Dp	De			I.D	OL	L	P	C	H	G	X		E



3V-2

F=1 3/32"(27.78mm)

SHEAVE	DIAMETERS		Bushing	Type	Dimensions									wt Incl Bush
	Dp	De			I.D.	OL	L	P	C	H	G	X	E	
2-G3V26	2.60	2.65	G	G2	—	119/32	1	5/16	13/32	2	7/16	31/32	3/16	0.8
2-G3V28	2.75	2.80	G	G2	—	119/32	1	5/16	13/32	2	7/16	31/32	3/16	0.9
2-G3V30	2.95	3.00	G	G2	—	119/32	1	5/16	13/32	2	7/16	31/32	3/16	1.3
2-H3V31	3.10	3.15	H	H2	2	119/32	1 1/4	3/8	7/32	2 1/2	7/16	13/16	3/16	0.9
2-H3V33	3.30	3.35	H	H2	2	119/32	1 1/4	3/8	7/32	2 1/2	7/16	13/16	3/16	1.3
2-H3V36	3.60	3.65	H	H4	—	1 1/2	1 1/4	7/32	—	2 1/2	7/16	7/8	3/16	1.6
2-P3V36	3.60	3.65	P1	2	—	23/16	1 15/16	27/32	—	3	5/8	15/16	1/4	2.0
2-H3V41	4.07	4.12	H	H4	—	1 1/2	1 1/4	7/32	—	2 1/2	7/16	7/8	3/16	2.3
2-P3V41	4.07	4.12	P1	2	—	23/16	1 15/16	27/32	—	3	5/8	15/16	1/4	2.8
2-H3V45	4.45	4.50	H	H4	—	1 1/2	1 1/4	7/32	—	2 1/2	7/16	7/8	3/16	2.8
2-P3V45	4.45	4.50	P1	2	—	23/16	1 15/16	27/32	—	3	5/8	15/16	1/4	3.5
2-H3V47	4.70	4.75	H	H4	—	1 1/2	1 1/4	7/32	—	2 1/2	7/16	7/8	3/16	3.1
2-P3V47	4.70	4.75	P1	2	—	23/16	1 15/16	27/32	—	3	5/8	15/16	1/4	4.0
2-H3V50	4.95	5.00	H	H4	—	1 1/2	1 1/4	7/32	—	2 1/2	7/16	7/8	3/16	3.4
2-P3V50	4.95	5.00	P1	2	—	23/16	1 15/16	27/32	—	3	5/8	15/16	1/4	4.6
2-H3V53	5.25	5.30	H	H4	—	1 1/2	1 1/4	7/32	—	2 1/2	7/16	7/8	3/16	3.7
2-P3V53	5.25	5.30	P1	2	—	23/16	1 15/16	27/32	—	3	5/8	15/16	1/4	5.6
2-H3V56	5.55	5.60	H	H4	—	1 1/2	1 1/4	7/32	—	2 1/2	7/16	7/8	3/16	3.1
2-P3V56	5.55	5.60	P1	2	—	23/16	1 15/16	27/32	—	3	5/8	15/16	1/4	6.0
2-H3V60	5.95	6.00	H	H4	—	1 1/2	1 1/4	7/32	—	2 1/2	7/16	7/8	3/16	3.6
2-P3V60	5.95	6.00	P1	2	—	23/16	1 15/16	27/32	—	3	5/8	15/16	1/4	6.8
2-Q3V65	6.45	6.50	Q1	7C	5 1/4	225/32	2 1/2	15/64	21/64	4 1/8	3/4	13/4	9/32	8.3
2-Q3V69	6.85	6.90	Q1	7C	5 5/8	225/32	2 1/2	15/64	21/64	4 1/8	3/4	13/4	9/32	9.8
2-Q3V80	7.95	8.00	Q1	7C	6 1/2	225/32	2 1/2	15/64	21/64	4 1/8	3/4	13/4	9/32	10.8
2-Q3V106	10.55	10.60	Q1	7C	9 3/8	225/32	2 1/2	15/64	21/64	4 1/8	3/4	13/4	9/32	13.5
2-Q3V140	13.95	14.00	Q1	7C	12 3/4	225/32	2 1/2	15/64	21/64	4 1/8	3/4	13/4	9/32	22.5
2-Q3V190	18.95	19.00	Q1	7C	17 3/4	225/32	2 1/2	15/64	21/64	4 1/8	3/4	13/4	9/32	28.9
2-Q3V250	24.95	25.00	Q1	7C	23 5/8	225/32	2 1/2	15/64	21/64	4 1/8	3/4	13/4	9/32	43.5



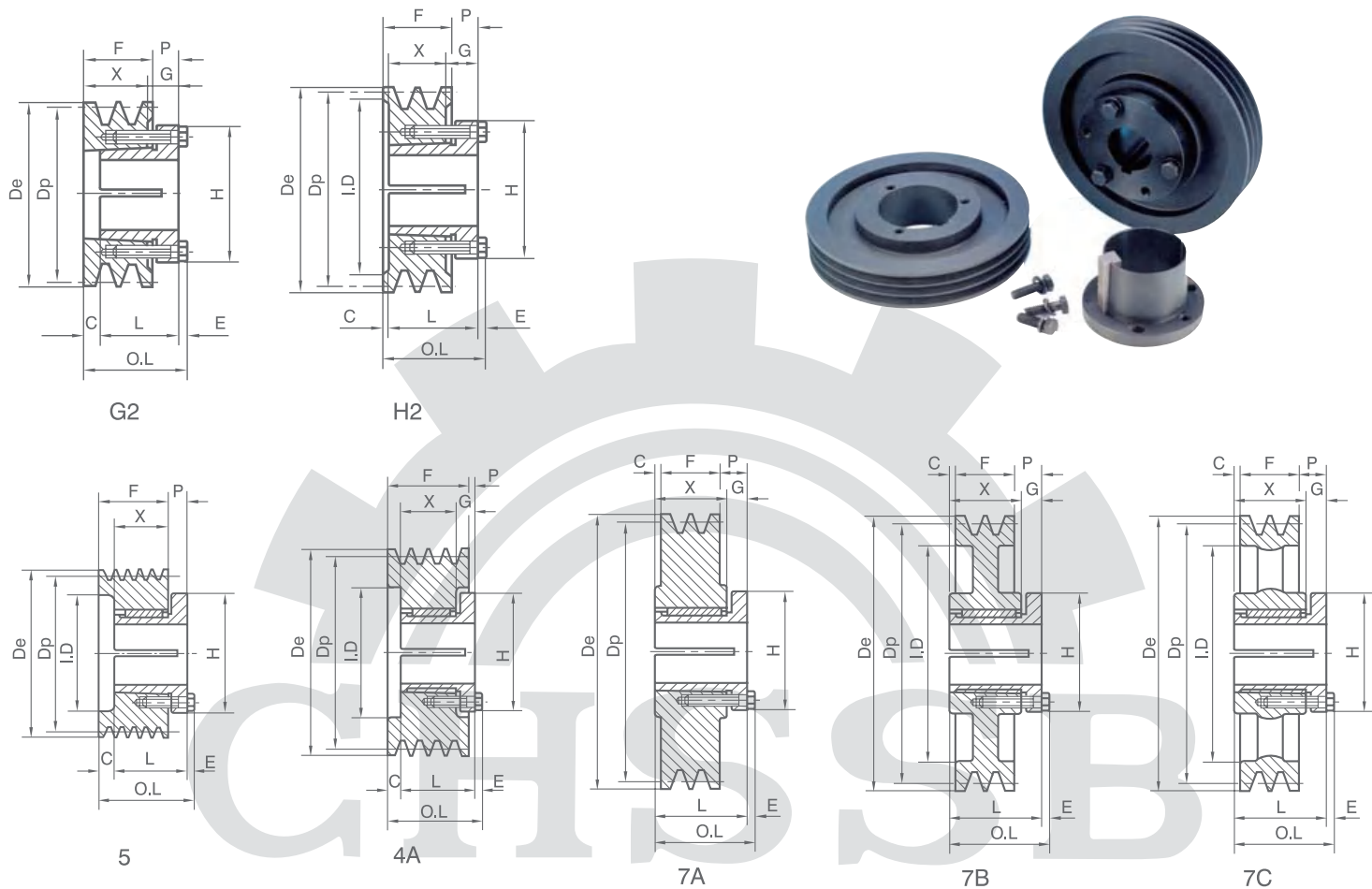
New Standard Power Transmission

**T_{aper}
B_{ore}** V-pulleys

3V-5V-8V

Cast Iron Sheaves

STL



3V-3

F = 1 1/2" (38.10mm)

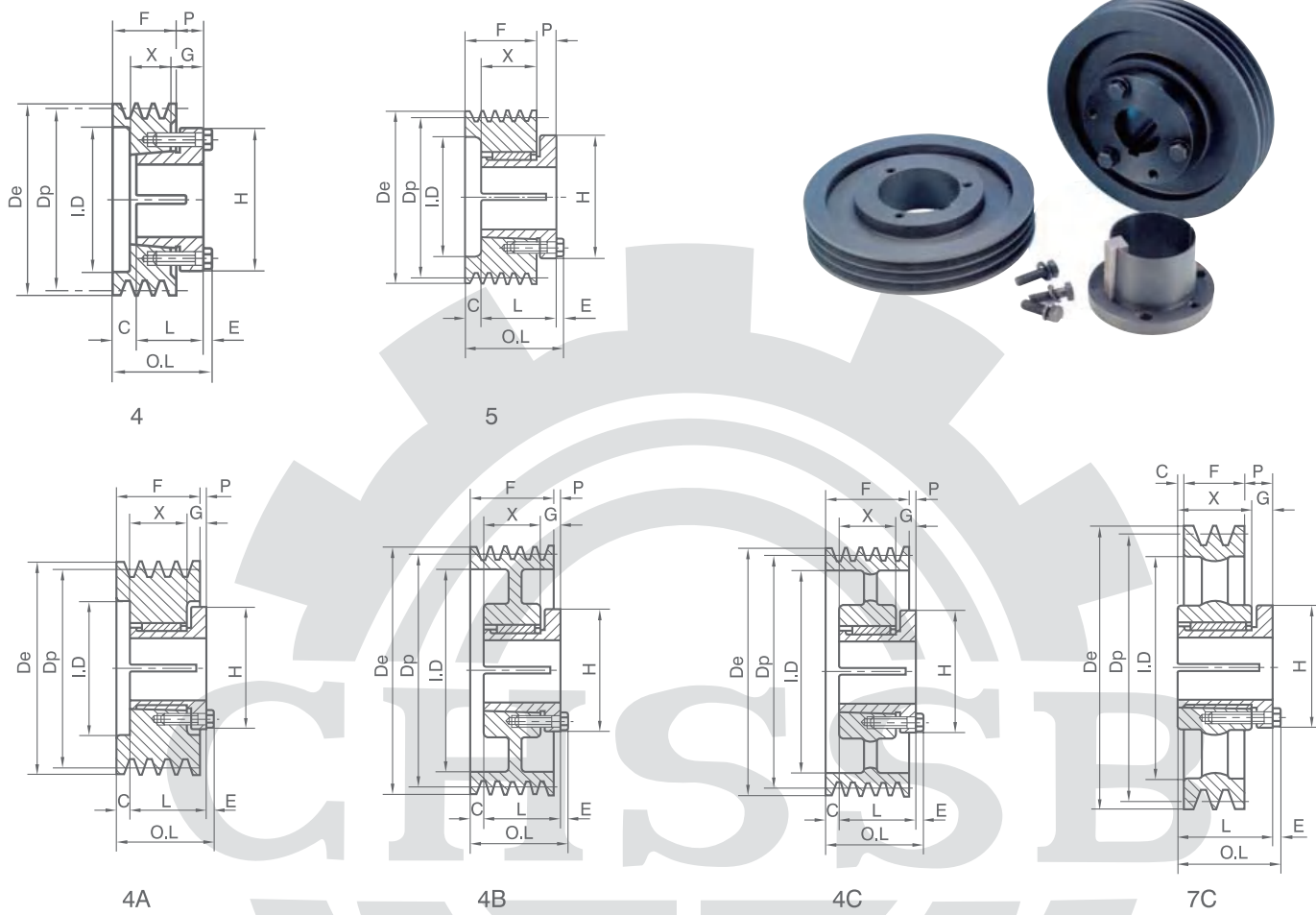
SHEAVE	DIAMETERS		Bushing	Type	Dimensions									wt Incl Bush
	Dp	De			I.D.	OL	L	P	C	H	G	X	E	
3-G3V26	2.60	2.65	G	G2	—	2	1	5/16	13/16	2	7/16	13/8	3/16	1.1
3-G3V28	2.75	2.80	G	G2	—	2	1	5/16	13/16	2	7/16	13/8	3/16	1.6
3-G3V30	2.95	3.00	G	G2	—	2	1	5/16	13/16	2	7/16	13/8	3/16	1.8
3-H3V31	3.10	3.15	H	H2	—	2	1 1/4	5/16	9/16	2 1/2	7/16	13/8	3/16	1.4
3-H3V33	3.30	3.35	H	H2	—	2	1 1/4	5/16	9/16	2 1/2	7/16	13/8	3/16	1.8
3-P3V36	3.60	3.65	P1	5	23/16	23/8	115/16	5/8	3/16	3	—	15/16	1/4	2.5
3-P3V41	4.07	4.12	P1	5	29/16	23/8	115/16	5/8	3/16	3	—	15/16	1/4	3.0
3-P3V45	4.45	4.50	P1	4A	35/16	23/16	115/16	7/16	—	3	5/8	15/16	1/4	3.9
3-P3V47	4.70	4.75	P1	4A	3 1/2	23/16	115/16	7/16	—	3	5/8	15/16	1/4	4.4
3-P3V50	4.95	5.00	P1	4A	3 13/16	23/16	115/16	7/16	—	3	5/8	15/16	1/4	4.9
3-P3V53	5.25	5.30	P1	4A	4 1/8	23/16	115/16	7/16	—	3	5/8	15/16	1/4	5.9
3-P3V56	5.55	5.60	P1	4A	4 3/8	23/16	115/16	7/16	—	3	5/8	15/16	1/4	7.5
3-P3V60	5.95	6.00	P1	4A	4 13/16	23/16	115/16	7/16	—	3	5/8	15/16	1/4	8.0
3-Q3V65	6.45	6.50	Q1	7A	5 1/4	225/32	21/2	7/8	1/8	4 1/8	3/4	13/4	9/32	9.9
3-Q3V69	6.85	6.90	Q1	7A	5 5/8	225/32	21/2	7/8	1/8	4 1/8	3/4	13/4	9/32	11.3
3-Q3V80	7.95	8.00	Q1	7B	6 1/2	225/32	21/2	7/8	1/8	4 1/8	3/4	13/4	9/32	11.9
3-Q3V106	10.55	10.60	Q1	7C	9 3/8	225/32	21/2	7/8	1/8	4 1/8	3/4	13/4	9/32	15.1
3-Q3V140	13.95	14.00	Q1	7C	12 3/4	225/32	21/2	7/8	1/8	4 1/8	3/4	13/4	9/32	24.5
3-R3V190	18.95	19.00	R1	7C	17 3/4	35/32	27/8	1 1/8	1/4	53/8	7/8	2	9/32	35.1
3-R3V250	24.95	25.00	R1	7C	23 5/8	35/32	27/8	1 1/8	1/4	53/8	7/8	2	9/32	55.0
3-R3V335	33.45	33.50	R1	7C	32 1/4	35/32	27/8	1 1/8	1/4	53/8	7/8	2	9/32	80.0

**T_{aper}
B_{ore}** V-pulleys

3V-5V-8V

Cast Iron Sheaves

STL



3V-4

F = 1 29/32" (48.42mm)

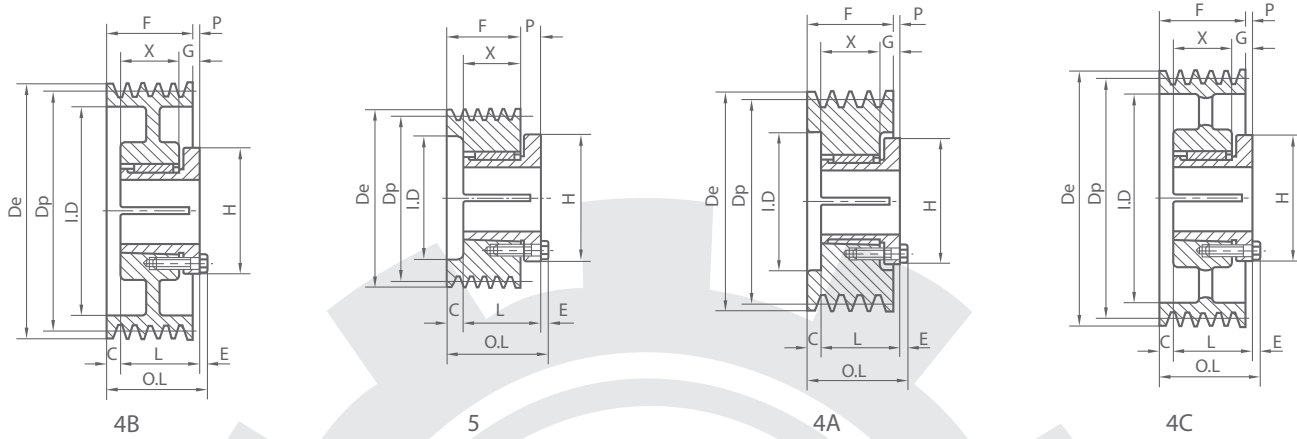
SHEAVE	DIAMETERS		Bushing	Type	Dimensions									wt Incl Bush
	Dp	De			I.D.	OL	L	P	C	H	G	X	E	
4-G3V26	2.60	2.65	G	4	13/8	213/32	1	5/16	17/32	2	7/16	11/2	3/16	1.4
4-G3V28	2.75	2.80	G	4	13/8	213/32	1	5/16	17/32	2	7/16	11/2	3/16	1.8
4-G3V30	2.95	3.00	G	4	13/8	213/32	1	5/16	17/32	2	7/16	11/2	3/16	2.1
4-H3V31	3.10	3.15	H	4	13/4	213/32	1 1/4	5/16	31/32	2 1/2	7/16	31/32	3/16	1.8
4-H3V33	3.30	3.35	H	4	2	213/32	1 1/4	5/16	31/32	2 1/2	7/16	31/32	3/16	2.3
4-P3V36	3.60	3.65	P1	5	23/16	225/32	1 15/16	5/8	19/32	3	—	15/16	1/4	2.8
4-P3V41	4.07	4.12	P1	5	29/16	225/32	1 15/16	5/8	19/32	3	—	15/16	1/4	3.7
4-P3V45	4.45	4.50	P1	4A	35/16	23/16	1 15/16	1/32	—	3	5/8	15/16	1/4	4.4
4-P3V47	4.70	4.75	P1	4A	3 1/2	23/16	1 15/16	1/32	—	3	5/8	15/16	1/4	5.1
4-P3V50	4.95	5.00	P1	4A	3 13/16	23/16	1 15/16	1/32	—	3	5/8	15/16	1/4	5.8
4-P3V53	5.25	5.30	P1	4A	4 1/8	23/16	1 15/16	1/32	—	3	5/8	15/16	1/4	6.5
4-P3V56	5.55	5.60	P1	4A	4 3/8	23/16	1 15/16	1/32	—	3	5/8	15/16	1/4	8.1
4-Q3V60	5.95	6.00	Q1	4A	4 3/4	225/32	2 1/2	19/32	—	4 1/8	3/4	13/4	9/32	9.0
4-Q3V65	6.45	6.50	Q1	4B	5 1/4	255/64	2 1/2	43/64	5/64	4 1/8	3/4	13/4	9/32	11.1
4-Q3V69	6.85	6.90	Q1	4B	5 5/8	255/64	2 1/2	43/64	5/64	4 1/8	3/4	13/4	9/32	12.9
4-Q3V80	7.95	8.00	Q1	4B	6 1/2	255/64	2 1/2	43/64	5/64	4 1/8	3/4	13/4	9/32	13.1
4-Q3V106	10.55	10.60	Q1	4C	9 3/8	255/64	2 1/2	43/64	5/64	4 1/8	3/4	13/4	9/32	15.9
4-Q3V140	13.95	14.00	Q1	4C	12 3/4	255/64	2 1/2	43/64	5/64	4 1/8	3/4	13/4	9/32	25.4
4-R3V190	18.95	19.00	R1	7C	17 3/4	35/32	27/8	63/64	3/64	5 3/8	7/8	2	9/32	37.3
4-R3V250	24.95	25.00	R1	7C	23 5/8	35/32	27/8	63/64	3/64	5 3/8	7/8	2	9/32	60.0
4-R3V335	33.45	33.50	R1	7C	32 1/4	35/32	27/8	63/64	3/64	5 3/8	7/8	2	9/32	88.0

**T_{aper}
B_{ore}** V-pulleys

3V-5V-8V

Cast Iron Sheaves

STL



3V-5

F=2 5/16"(58.74mm)

SHEAVE	DIAMETERS		Bushing	Type	Dimensions									wt Incl Bush
	Dp	De			I.D.	OL	L	P	C	H	G	X	E	
5-P3V47	4.70	4.75	P1	4B	31/2	29/16	115/16	—	3/8	3	5/8	15/16	1/4	5.6
5-P3V50	4.95	5.00	P1	4B	313/16	29/16	115/16	—	3/8	3	5/8	15/16	1/4	6.0
5-P3V53	5.25	5.30	P1	4B	41/8	29/16	115/16	—	3/8	3	5/8	15/16	1/4	7.1
5-P3V56	5.55	5.60	P1	4B	43/8	29/16	115/16	—	3/8	3	5/8	15/16	1/4	8.1
5-Q3V60	5.95	6.00	Q1	4B	43/4	225/32	21/2	3/16	—	41/8	3/4	13/4	9/32	9.5
5-Q3V65	6.45	6.50	Q1	4B	51/4	31/16	21/2	15/32	9/32	41/8	3/4	13/4	9/32	11.6
5-Q3V69	6.85	6.90	Q1	4B	55/8	31/16	21/2	15/32	9/32	41/8	3/4	13/4	9/32	13.9
5-Q3V80	7.95	8.00	Q1	4B	61/2	31/16	21/2	15/32	9/32	41/8	3/4	13/4	9/32	14.3
5-Q3V106	10.55	10.60	Q1	4C	93/8	31/16	21/2	15/32	9/32	41/8	3/4	13/4	9/32	17.5
5-Q3V140	13.95	14.00	Q1	4C	123/4	31/16	21/2	15/32	9/32	41/8	3/4	13/4	9/32	27.5
5-R3V190	18.95	19.00	R1	4C	173/4	35/16	27/8	23/32	5/32	53/8	7/8	2	9/32	40.9
5-R3V250	24.95	25.00	R1	4C	235/8	35/16	27/8	23/32	5/32	53/8	7/8	2	9/32	64.0
5-R3V335	33.45	33.50	R1	4C	321/4	35/16	27/8	23/32	5/32	53/8	7/8	2	9/32	92.0

3V-6

F=2 23/32"(69.06mm)

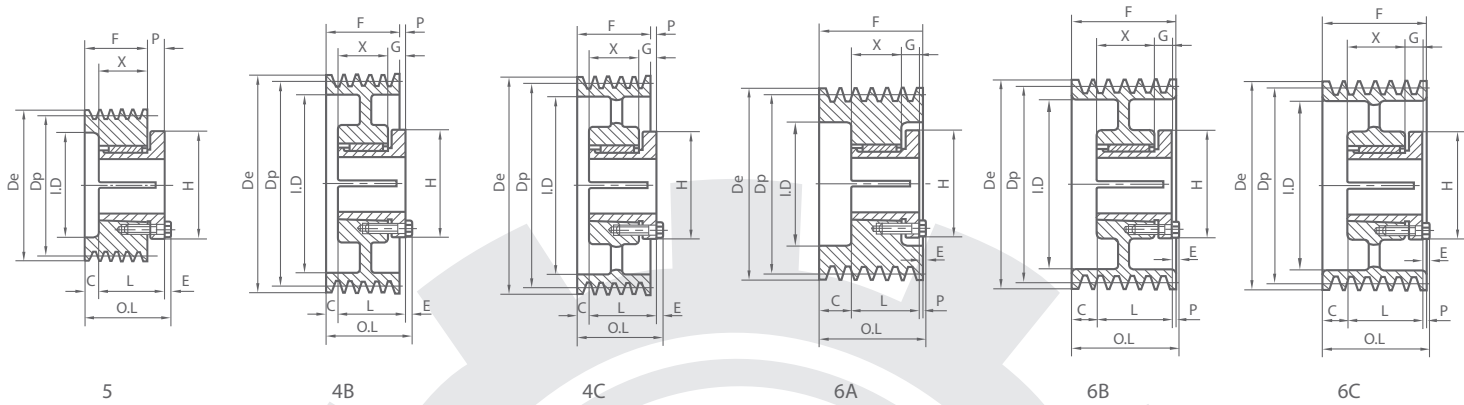
SHEAVE	DIAMETERS		Bushing	Type	Dimensions									wt Incl Bush
	Dp	De			I.D.	OL	L	P	C	H	G	X	E	
6-Q3V47	4.70	4.75	Q1	5	31/2	33/4	21/2	3/4	31/32	41/8	3/4	13/4	9/32	5.6
6-Q3V50	4.95	5.00	Q1	5	313/16	33/4	21/2	3/4	31/32	41/8	3/4	13/4	9/32	6.1
6-Q3V53	5.25	5.30	Q1	5	41/8	33/4	21/2	3/4	31/32	41/8	3/4	13/4	9/32	7.3
6-Q3V56	5.55	5.60	Q1	4A	41/4	3	21/2	—	7/32	41/8	3/4	13/4	9/32	8.8
6-Q3V60	5.95	6.00	Q1	4B	43/4	3	21/2	—	7/32	41/8	3/4	13/4	9/32	10.1
6-Q3V65	6.45	6.50	Q1	4B	51/4	317/64	21/2	17/64	31/64	41/8	3/4	13/4	9/32	12.9
6-Q3V69	6.85	6.90	Q1	4B	55/8	317/64	21/2	17/64	31/64	41/8	3/4	13/4	9/32	14.4
6-Q3V80	7.95	8.00	Q1	4B	61/2	317/64	21/2	17/64	31/64	41/8	3/4	13/4	9/32	16.1
6-R3V106	10.55	10.60	R1	4C	93/8	333/64	27/8	33/64	23/64	53/8	7/8	2	9/32	22.4
6-R3V140	13.95	14.00	R1	4C	123/4	333/64	27/8	33/64	23/64	53/8	7/8	2	9/32	32.1
6-R3V190	18.95	19.00	R1	4C	173/4	333/64	27/8	33/64	23/64	53/8	7/8	2	9/32	42.8
6-R3V250	24.95	25.00	R1	4C	235/8	333/64	27/8	33/64	23/64	53/8	7/8	2	9/32	64.0
6-R3V335	33.45	33.50	R1	4C	321/4	333/64	27/8	33/64	23/64	53/8	7/8	2	9/32	99.0

**T_{aper}
B_{ore}** V-pulleys

3V-5V-8V

Cast Iron Sheaves

STL



3V-8

F=3 17/32"(89.70mm)

SHEAVE	DIAMETERS		Bushing	Type	Dimensions								wt Incl Bush	
	Dp	De			I.D.	OL	L	P	C	H	G	X		E
8-Q3V47	4.70	4.75	Q2	5	31/2	49/16	31/2	3/4	25/32	41/8	3/4	23/4	9/32	7.3
8-Q3V50	4.95	5.00	Q2	5	313/16	49/16	31/2	3/4	25/32	41/8	3/4	23/4	9/32	8.6
8-Q3V53	5.25	5.30	Q2	5	41/8	49/16	31/2	3/4	25/32	41/8	3/4	23/4	9/32	10.3
8-Q3V56	5.55	5.60	Q2	6A	41/4	325/32	31/2	1/32	—	41/8	3/4	23/4	9/32	12.3
8-Q3V60	5.95	6.00	Q2	6A	43/4	325/32	31/2	1/32	—	41/8	3/4	23/4	9/32	15.1
8-Q3V65	6.45	6.50	Q2	4B	51/4	411/64	31/2	23/64	25/64	41/8	3/4	23/4	9/32	18.3
8-Q3V69	6.85	6.90	Q2	4B	55/8	411/64	31/2	23/64	25/64	41/8	3/4	23/4	9/32	21.4
8-R3V80	7.95	8.00	R1	4B	61/2	359/64	27/8	7/64	49/64	53/8	7/8	2	9/32	23.2
8-R3V106	10.55	10.60	R1	4C	93/8	359/64	27/8	7/64	49/64	53/8	7/8	2	9/32	24.5
8-R3V140	13.95	14.00	R1	4C	123/4	359/64	27/8	7/64	49/64	53/8	7/8	2	9/32	39.0
8-R3V190	18.95	19.00	R1	4C	173/4	359/64	27/8	7/64	49/64	53/8	7/8	2	9/32	49.0
8-R3V250	24.95	25.00	R1	4C	235/8	359/64	27/8	7/64	49/64	53/8	7/8	2	9/32	76.0
8-S3V335	33.45	33.50	S1	4C	321/4	455/64	43/8	61/64	7/64	63/8	11/16	35/16	3/8	126

3V-10

F=4 11/32"(110.33mm)

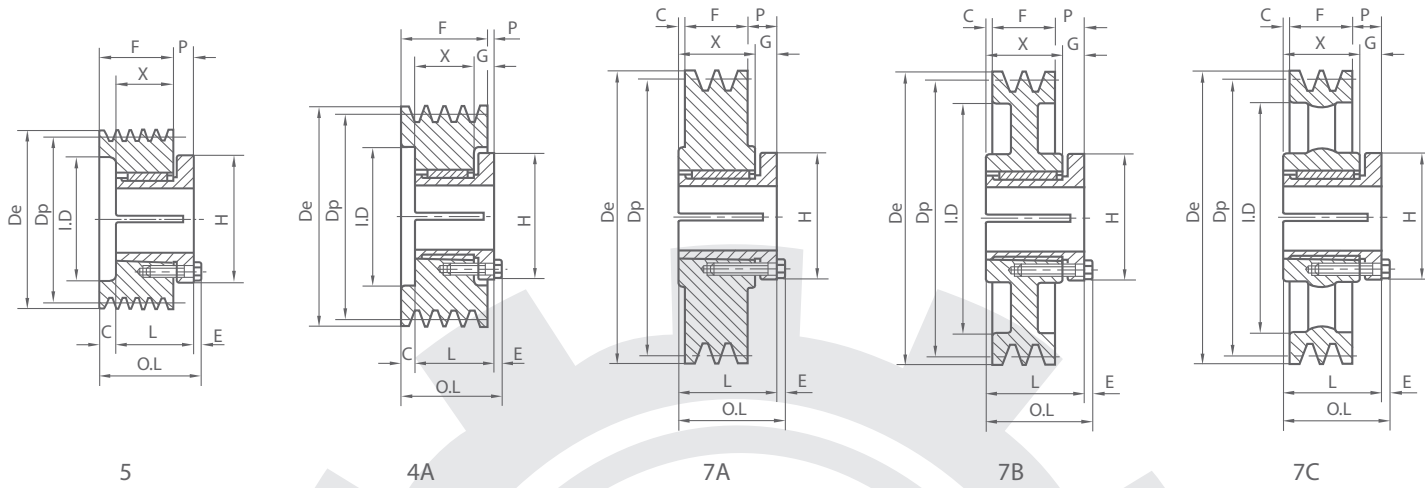
SHEAVE	DIAMETERS		Bushing	Type	Dimensions								wt Incl Bush	
	Dp	De			I.D.	OL	L	P	C	H	G	X		E
10-Q3V47	4.70	4.75	Q2	5	31/2	53/8	31/2	3/4	119/32	41/8	3/4	23/4	9/32	8.4
10-Q3V50	4.95	5.00	Q2	5	313/16	53/8	31/2	3/4	119/32	41/8	3/4	23/4	9/32	9.9
10-Q3V53	5.25	5.30	Q2	5	41/8	53/8	31/2	3/4	119/32	41/8	3/4	23/4	9/32	11.4
10-Q3V56	5.55	5.60	Q2	4B	41/4	45/8	31/2	—	27/32	41/8	3/4	23/4	9/32	13.8
10-Q3V60	5.95	6.00	Q2	4B	43/4	45/8	31/2	—	27/32	41/8	3/4	23/4	9/32	16.5
10-Q3V65	6.45	6.50	Q2	6B	51/4	437/64	31/2	3/64	51/64	41/8	3/4	23/4	9/32	20.4
10-Q3V69	6.85	6.90	Q2	6B	55/8	437/64	31/2	3/64	51/64	41/8	3/4	23/4	9/32	23.4
10-R3V80	7.95	8.00	R1	6B	61/2	411/32	27/8	19/64	111/64	53/8	7/8	2	9/32	26.0
10-R3V106	10.55	10.60	R1	6C	93/8	411/32	27/8	19/64	111/64	53/8	7/8	2	9/32	28.4
10-R3V140	13.95	14.00	R1	6C	123/4	411/32	27/8	19/64	111/64	53/8	7/8	2	9/32	42.3
10-R3V190	18.95	19.00	R1	6C	173/4	411/32	27/8	19/64	111/64	53/8	7/8	2	9/32	54.0
10-S3V250	24.95	25.00	S1	4C	235/8	517/64	43/8	35/64	33/64	63/8	11/16	35/16	3/8	103
10-S3V335	33.45	33.50	S1	4C	321/4	517/64	43/8	35/64	33/64	63/8	11/16	35/16	3/8	138

T_B^{aper} **V-pulleys**

3V-5V-8V

Cast Iron Sheaves

STL



5V-2

F=1 11/16"(42.86mm)

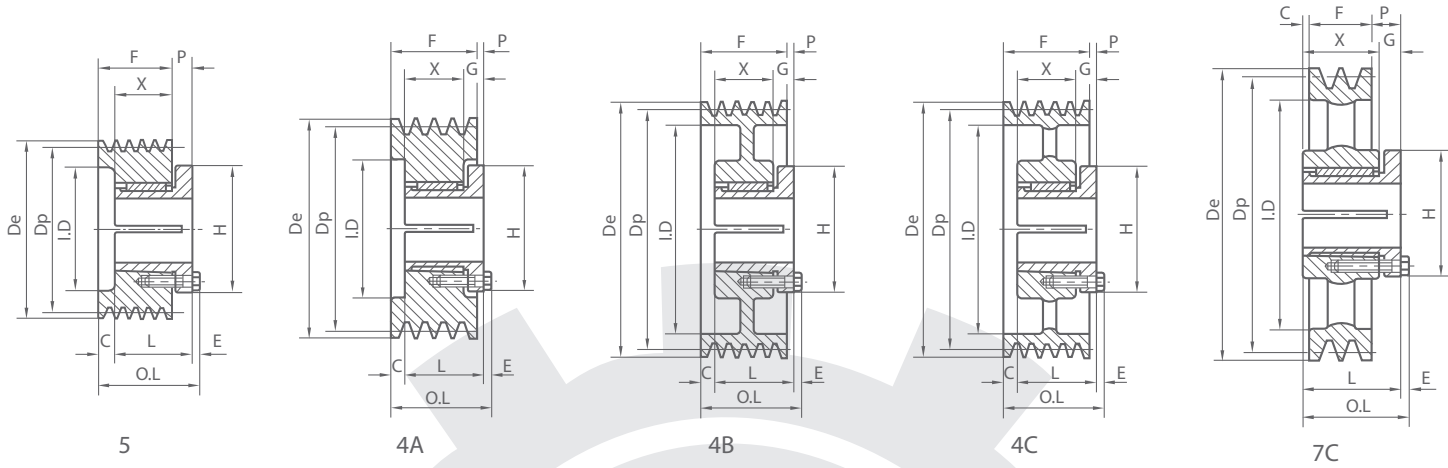
SHEAVE	DIAMETERS		Bushing	Type	Dimensions									wt Incl Bush
	Dp	De			I.D.	OL	L	P	C	H	G	X	E	
2-P5V44	4.30	4.40	P1	4A	33/16	23/16	115/16	1/4	—	3	5/8	15/16	1/4	3.8
2-Q5V46	4.50	4.60	Q1	5	27/8	37/8	21/2	3/4	13/32	41/8	—	13/4	9/32	6.6
2-Q5V49	4.80	4.90	Q1	5	31/8	35/16	21/2	3/4	17/32	41/8	—	13/4	9/32	6.2
2-Q5V52	5.10	5.20	Q1	7A	—	225/32	21/2	3/4	1/16	41/8	3/4	13/4	9/32	5.6
2-Q5V55	5.40	5.50	Q1	7A	—	225/32	21/2	3/4	1/16	41/8	3/4	13/4	9/32	6.6
2-Q5V59	5.80	5.90	Q1	7A	—	225/32	21/2	3/4	1/16	41/8	3/4	13/4	9/32	7.6
2-Q5V63	6.20	6.30	Q1	7A	—	225/32	21/2	3/4	1/16	41/8	3/4	13/4	9/32	9.4
2-Q5V67	6.60	6.70	Q1	7A	—	225/32	21/2	3/4	1/16	41/8	3/4	13/4	9/32	11.0
2-Q5V71	7.00	7.10	Q1	7A	—	225/32	21/2	25/32	1/32	41/8	3/4	13/4	9/32	12.3
2-Q5V75	7.40	7.50	Q1	7A	—	225/32	21/2	25/32	1/32	41/8	3/4	13/4	9/32	14.1
2-Q5V80	7.90	8.00	Q1	7B	61/4	225/32	21/2	25/32	1/32	41/8	3/4	13/4	9/32	11.6
2-Q5V85	8.40	8.50	Q1	7B	63/4	225/32	21/2	25/32	1/32	41/8	3/4	13/4	9/32	12.9
2-Q5V90	8.90	9.00	Q1	7B	71/4	225/32	21/2	25/32	1/32	41/8	3/4	13/4	9/32	16.3
2-Q5V92	9.15	9.25	Q1	7C	73/8	225/32	21/2	25/32	1/32	41/8	3/4	13/4	9/32	15.1
2-Q5V97	9.65	9.75	Q1	7C	77/8	225/32	21/2	25/32	1/32	41/8	3/4	13/4	9/32	16.1
2-Q5V103	10.20	10.30	Q1	7C	87/16	225/32	21/2	25/32	1/32	41/8	3/4	13/4	9/32	18.8
2-Q5V109	10.80	10.90	Q1	7C	9	225/32	21/2	25/32	1/32	41/8	3/4	13/4	9/32	19.3
2-Q5V118	11.70	11.80	Q1	7C	10	225/32	21/2	25/32	1/32	41/8	3/4	13/4	9/32	21.4
2-Q5V125	12.40	12.50	Q1	7C	103/4	225/32	21/2	25/32	1/32	41/8	3/4	13/4	9/32	23.8
2-Q5V132	13.10	13.20	Q1	7C	117/16	225/32	21/2	25/32	1/32	41/8	3/4	13/4	9/32	25.5
2-R5V140	13.90	14.00	R1	7C	121/4	35/32	27/8	11/32	5/32	53/8	7/8	2	9/32	27.6
2-R5V150	14.90	15.00	R1	7C	131/4	35/32	27/8	11/32	5/32	53/8	7/8	2	9/32	30.9
2-R5V160	15.90	16.00	R1	7C	141/4	35/32	27/8	11/32	5/32	53/8	7/8	2	9/32	33.3
2-R5V212	21.10	21.20	R1	7C	193/8	35/32	27/8	11/32	5/32	53/8	7/8	2	9/32	47.5
2-R5V280	27.90	28.00	R1	7C	261/4	35/32	27/8	11/32	5/32	53/8	7/8	2	9/32	71.0

**T_{aper}
B_{ore}** V-pulleys

3V-5V-8V

Cast Iron Sheaves

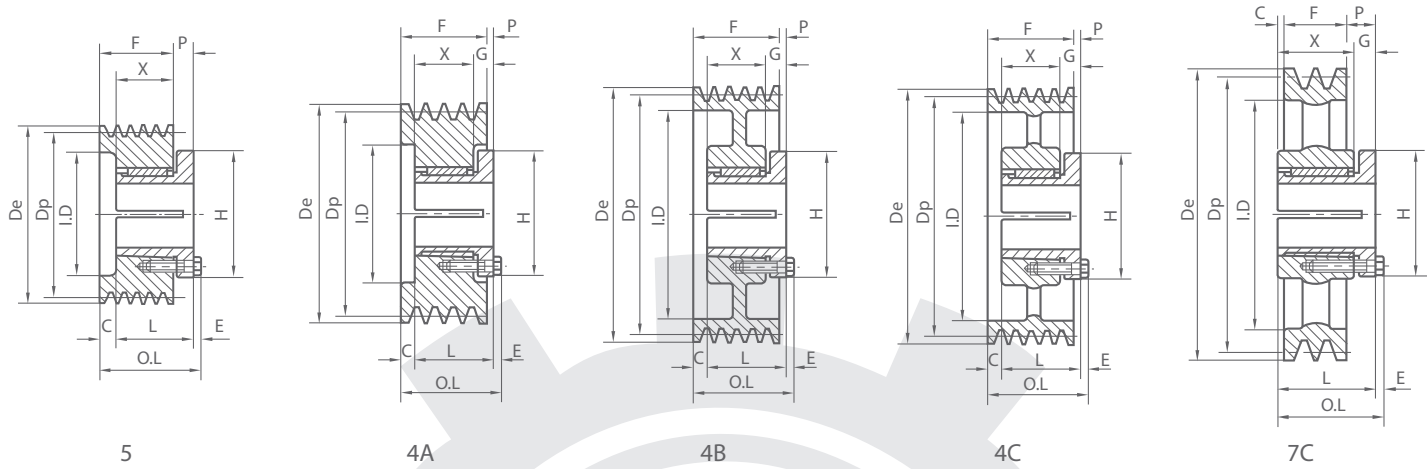
STL



5V-3

F=2 3/8"(60.33mm)

SHEAVE	DIAMETERS		Bushing	Type	Dimensions									wt Incl Bush
	Dp	De			I.D	OL	L	P	C	H	G	X	E	
3-P5V44	4.30	4.40	P1	4A	33/16	223/32	115/16	3/32	17/32	3	5/8	15/16	1/4	5.1
3-Q5V46	4.50	4.60	Q1	5	27/8	43/4	21/2	3/4	125/32	41/8	—	13/4	9/32	7.6
3-Q5V49	4.80	4.90	Q1	5	31/8	313/32	21/2	3/4	5/8	41/8	—	13/4	9/32	7.3
3-Q5V52	5.10	5.20	Q1	5	31/2	313/32	21/2	3/4	5/8	41/8	—	13/4	9/32	5.8
3-Q5V55	5.40	5.50	Q1	5	33/4	313/32	21/2	3/4	5/8	41/8	—	13/4	9/32	7.5
3-Q5V59	5.80	5.90	Q1	4A	43/16	231/32	21/2	5/16	3/16	41/8	3/4	13/4	9/32	8.6
3-Q5V63	6.20	6.30	Q1	4A	49/16	231/32	21/2	5/16	3/16	41/8	3/4	13/4	9/32	10.3
3-Q5V67	6.60	6.70	Q1	4A	5	231/32	21/2	5/16	3/16	41/8	3/4	13/4	9/32	12.0
3-Q5V71	7.00	7.10	Q1	4B	53/8	231/32	21/2	5/16	3/16	41/8	3/4	13/4	9/32	13.9
3-Q5V75	7.40	7.50	Q1	4B	53/4	231/32	21/2	5/16	3/16	41/8	3/4	13/4	9/32	16.0
3-R5V80	7.90	8.00	R1	4B	61/4	311/32	27/8	11/16	3/16	53/8	7/8	2	9/32	17.2
3-R5V85	8.40	8.50	R1	4B	63/4	311/32	27/8	11/16	3/16	53/8	7/8	2	9/32	20.5
3-R5V90	8.90	9.00	R1	4B	71/4	311/32	27/8	11/16	3/16	53/8	7/8	2	9/32	22.2
3-R5V92	9.15	9.25	R1	4B	73/8	311/32	27/8	11/16	3/16	53/8	7/8	2	9/32	24.1
3-R5V97	9.65	9.75	R1	4B	77/8	311/32	27/8	11/16	3/16	53/8	7/8	2	9/32	24.8
3-R5V103	10.20	10.30	R1	4B	87/16	311/32	27/8	11/16	3/16	53/8	7/8	2	9/32	26.4
3-R5V109	10.80	10.90	R1	4B	9	311/32	27/8	11/16	3/16	53/8	7/8	2	9/32	28.0
3-R5V118	11.70	11.80	R1	4B	10	311/32	27/8	11/16	3/16	53/8	7/8	2	9/32	31.9
3-R5V125	12.40	12.50	R1	4C	103/4	311/32	27/8	11/16	3/16	53/8	7/8	2	9/32	35.1
3-R5V132	13.10	13.20	R1	4C	117/16	311/32	27/8	11/16	3/16	53/8	7/8	2	9/32	39.0
3-R5V140	13.90	14.00	R1	4C	121/4	311/32	27/8	11/16	3/16	53/8	7/8	2	9/32	42.3
3-R5V150	14.90	15.00	R1	4C	131/4	311/32	27/8	11/16	3/16	53/8	7/8	2	9/32	45.3
3-R5V160	15.90	16.00	R1	4C	141/4	311/32	27/8	11/16	3/16	53/8	7/8	2	9/32	48.7
3-R5V212	21.10	21.20	R1	4C	193/8	311/32	27/8	11/16	3/16	53/8	7/8	2	9/32	52.0
3-R5V280	27.90	28.00	R1	4C	261/4	311/32	27/8	11/16	3/16	53/8	7/8	2	9/32	147.0
3-S5V375	37.40	37.50	S1	7C	353/4	43/4	43/8	117/32	15/32	63/8	11/16	35/16	3/8	147.0
3-U5V500	49.90	50.00	U0	7C	481/4	513/32	415/16	17/8	11/16	83/8	13/16	33/4	15/32	216.0



5V-4

F=3 1/16"(77.79mm)

SHEAVE	DIAMETERS		Bushing	Type	Dimensions									wt Incl Bush
	Dp	De			I.D	OL	L	P	C	H	G	X	E	
4-P5V44	4.30	4.40	P1	4A	3	33/16	115/32	1/8	7/8	3	5/8	15/16	1/4	7.2
4-Q5V46	4.50	4.60	Q2	5	27/8	51/4	31/2	3/4	115/32	41/8	—	23/4	9/32	8.6
4-Q5V49	4.80	4.90	Q1	5	31/8	43/32	21/2	3/4	15/16	41/8	—	13/4	9/32	8.5
4-Q5V52	5.10	5.20	Q1	5	31/2	43/32	21/2	3/4	15/16	41/8	—	13/4	9/32	9.8
4-Q5V55	5.40	5.50	Q1	5	33/4	43/32	21/2	3/4	15/16	41/8	3/4	13/4	9/32	10.3
4-Q5V59	5.80	5.90	Q1	4A	43/16	43/32	21/2	—	9/16	41/8	3/4	13/4	9/32	11.1
4-Q5V63	6.20	6.30	Q1	4A	49/16	43/32	21/2	—	9/16	41/8	3/4	13/4	9/32	11.8
4-Q5V67	6.60	6.70	Q1	4A	5	43/32	21/2	—	9/16	41/8	3/4	13/4	9/32	13.6
4-Q5V71	7.00	7.10	Q1	4B	53/8	311/32	21/2	—	9/16	41/8	3/4	13/4	9/32	15.9
4-Q5V75	7.40	7.50	Q1	4B	53/4	311/32	21/2	—	9/16	41/8	3/4	13/4	9/32	18.4
4-R5V80	7.90	8.00	R1	4B	61/4	311/16	27/8	11/32	17/32	53/8	7/8	2	9/32	19.4
4-R5V85	8.40	8.50	R1	4B	63/4	311/16	27/8	11/32	17/32	53/8	7/8	2	9/32	22.8
4-R5V90	8.90	9.00	R1	4B	71/4	311/16	27/8	11/32	17/32	53/8	7/8	2	9/32	24.5
4-R5V92	9.15	9.25	R1	4B	73/8	311/16	27/8	11/32	17/32	53/8	7/8	2	9/32	26.6
4-R5V97	9.65	9.75	R1	4B	77/8	311/16	27/8	11/32	17/32	53/8	7/8	2	9/32	28.0
4-R5V103	10.20	10.30	R1	4B	87/16	311/16	27/8	11/32	17/32	53/8	7/8	2	9/32	30.8
4-R5V109	10.80	10.90	R1	4B	9	311/16	27/8	11/32	17/32	53/8	7/8	2	9/32	31.7
4-R5V118	11.70	11.80	R1	4B	10	311/16	27/8	11/32	17/32	53/8	7/8	2	9/32	35.3
4-R5V125	12.40	12.50	R1	4B	103/4	311/16	27/8	11/32	17/32	53/8	7/8	2	9/32	37.9
4-R5V132	13.10	13.20	R1	4C	117/16	311/16	27/8	11/32	17/32	53/8	7/8	2	9/32	33.3
4-R5V140	13.90	14.00	R1	4C	121/4	311/16	27/8	11/32	17/32	53/8	7/8	2	9/32	36.5
4-R5V150	14.90	15.00	R1	4C	131/4	311/16	27/8	11/32	17/32	53/8	7/8	2	9/32	40.9
4-R5V160	15.90	16.00	R1	4C	141/4	311/16	27/8	11/32	17/32	53/8	7/8	2	9/32	43.3
4-R5V212	21.10	21.20	R1	4C	193/8	311/16	27/8	11/32	17/32	53/8	7/8	2	9/32	59.0
4-S 5V280	27.90	28.00	S1	7C	261/4	43/4	43/8	13/16	1/8	63/8	11/16	35/16	3/8	135
4-S5V375	37.40	37.50	S1	7C	353/4	43/4	43/8	13/16	1/8	63/8	11/16	35/16	3/8	157
4-U5V500	49.90	50.00	U0	7C	481/4	513/32	415/16	117/32	11/32	83/8	13/16	33/4	15/32	239



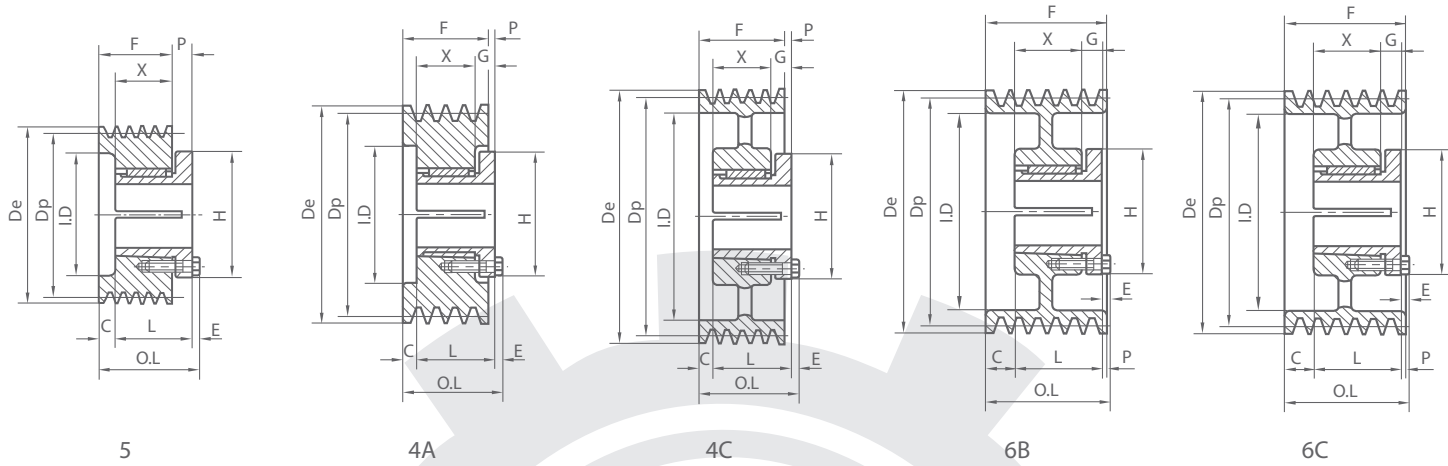
New Standard Power Transmission

**T_{aper}
B_{ore}** V-pulleys

3V-5V-8V

Cast Iron Sheaves

STL



5V-5

F=3 3/4"(95.25mm)

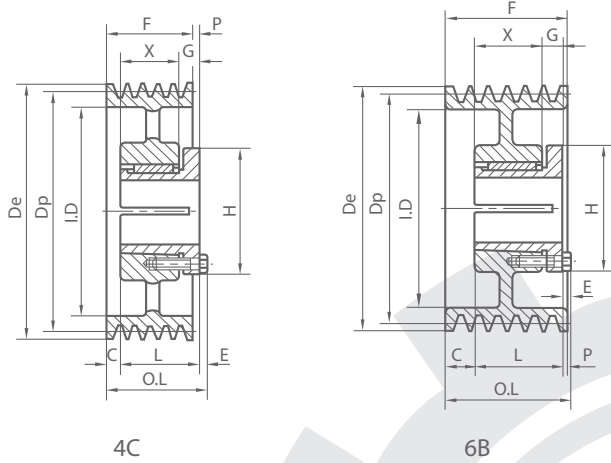
SHEAVE	DIAMETERS		Bushing	Type	Dimensions								wt Incl Bush	
	Dp	De			I.D.	OL	L	P	C	H	G	X		E
5-Q5V46	4.50	4.60	Q2	5	27/8	515/16	31/2	3/4	25/16	41/8	—	23/4	9/32	8.9
5-Q5V49	4.80	4.90	Q2	5	31/8	53/8	31/2	3/4	1	41/8	—	23/4	9/32	9.2
5-Q5V52	5.10	5.20	Q2	5	31/2	425/32	31/2	3/4	1	41/8	3/4	23/4	9/32	9.0
5-Q5V55	5.40	5.50	Q2	5	33/4	425/32	31/2	3/4	1	41/8	3/4	23/4	9/32	10.8
5-Q5V59	5.80	5.90	Q2	4A	43/16	43/32	31/2	—	1/4	41/8	3/4	23/4	9/32	13.2
5-Q5V63	6.20	6.30	Q2	4A	49/16	43/32	31/2	—	1/4	41/8	3/4	23/4	9/32	15.9
5-Q5V67	6.60	6.70	Q2	4A	5	43/32	31/2	—	1/4	41/8	3/4	23/4	9/32	18.6
5-Q5V71	7.00	7.10	Q2	4B	53/8	41/32	31/2	—	1/4	41/8	3/4	23/4	9/32	22.0
5-Q5V75	7.40	7.50	Q2	4B	53/4	41/32	31/2	—	1/4	41/8	3/4	23/4	9/32	25.0
5-R5V80	7.90	8.00	R1	6B	61/4	41/32	27/8	—	7/8	53/8	7/8	2	9/32	21.7
5-R5V85	8.40	8.50	R1	6B	63/4	41/32	27/8	—	7/8	53/8	7/8	2	9/32	25.1
5-R5V90	8.90	9.00	R1	6B	71/4	41/32	27/8	—	7/8	53/8	7/8	2	9/32	25.4
5-R5V92	9.15	9.25	R1	6B	73/8	41/32	27/8	—	7/8	53/8	7/8	2	9/32	28.4
5-R5V97	9.65	9.75	R1	6B	77/8	41/32	27/8	—	7/8	53/8	7/8	2	9/32	31.8
5-R5V103	10.20	10.30	R1	6B	87/16	41/32	27/8	—	7/8	53/8	7/8	2	9/32	32.5
5-R5V109	10.80	10.90	R1	6B	9	41/32	27/8	—	7/8	53/8	7/8	2	9/32	35.1
5-R5V118	11.70	11.80	R1	6B	10	41/32	27/8	—	7/8	53/8	7/8	2	9/32	38.8
5-R5V125	12.40	12.50	R1	6B	103/4	41/32	27/8	—	7/8	53/8	7/8	2	9/32	41.8
5-R5V132	13.10	13.20	R1	6C	117/16	4 1/32	27/8	—	7/8	53/8	7/8	2	9/32	37.1
5-R5V140	13.90	14.00	R1	6C	121/4	41/32	27/8	—	7/8	53/8	7/8	2	9/32	41.6
5-R5V150	14.90	15.00	R1	6C	131/4	41/32	27/8	—	7/8	53/8	7/8	2	9/32	45.0
5-R5V160	15.90	16.00	R1	6C	141/4	41/32	27/8	—	7/8	53/8	7/8	2	9/32	48.0
5-S5V212	21.10	21.20	S1	4C	193/8	431/32	43/8	27/32	7/32	63/8	11/16	35/16	3/8	90.0
5-S5V250	24.90	25.00	S1	4C	231/4	431/32	43/8	27/32	7/32	63/8	11/16	35/16	3/8	105
5-S5V280	27.90	28.00	S1	4C	261/4	431/32	43/8	27/32	7/32	63/8	11/16	35/16	3/8	120
5-U5V375	37.40	37.50	U0	4C	353/4	513/32	415/16	13/16	—	83/8	13/16	33/4	15/32	185
5-U5V500	49.90	50.00	U0	4C	481/4	513/32	415/16	13/16	—	83/8	13/16	33/4	15/32	244

**T_{aper}
B_{ore}** V-pulleys

3V-5V-8V

Cast Iron Sheaves

STL



5V-6

F=4 7/16"(112.71mm)

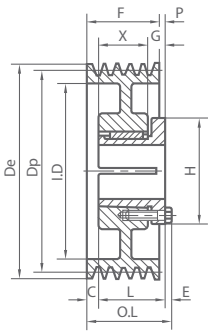
SHEAVE	DIAMETERS		Bushing	Type	Dimensions									wt Incl Bush
	Dp	De			I.D	OL	L	P	C	H	G	X	E	
6-Q5V71	7.00	7.10	Q2	6B	53/8	47/16	3 1/2	1/2	7/16	4 1/8	3/4	2 3/4	9/32	23.6
6-Q5V75	7.40	7.50	Q2	6B	53/4	47/16	3 1/2	1/2	7/16	4 1/8	3/4	2 3/4	9/32	27.3
6-R5V80	7.90	8.00	R1	6B	6 1/4	47/16	2 7/8	11/32	1 7/32	5 3/8	7/8	2	9/32	23.3
6-R5V85	8.40	8.50	R1	6B	6 3/4	47/16	2 7/8	11/32	1 7/32	5 3/8	7/8	2	9/32	27.3
6-R5V90	8.90	9.00	R1	6B	7 1/4	47/16	2 7/8	11/32	1 7/32	5 3/8	7/8	2	9/32	28.8
6-R5V92	9.15	9.25	R1	6B	7 3/8	47/16	2 7/8	11/32	1 7/32	5 3/8	7/8	2	9/32	31.1
6-R5V97	9.65	9.75	R1	6B	7 7/8	47/16	2 7/8	11/32	1 7/32	5 3/8	7/8	2	9/32	34.5
6-R5V103	10.20	10.30	R1	6B	8 7/16	47/16	2 7/8	11/32	1 7/32	5 3/8	7/8	2	9/32	36.8
6-R5V109	10.80	10.90	R1	6B	9	47/16	2 7/8	11/32	1 7/32	5 3/8	7/8	2	9/32	39.6
6-R5V118	11.70	11.80	R1	6B	10	47/16	2 7/8	11/32	1 7/32	5 3/8	7/8	2	9/32	42.5
6-S5V125	12.40	12.50	S1	4C	10 3/4	5 5/16	4 3/8	1/2	9/16	6 3/8	1 1/16	3 5/16	3/8	65.0
6-S5V132	13.10	13.20	S1	4C	11 7/16	5 5/16	4 3/8	1/2	9/16	6 3/8	1 1/16	3 5/16	3/8	71.0
6-S5V140	13.90	14.00	S1	4C	12 1/4	5 5/16	4 3/8	1/2	9/16	6 3/8	1 1/16	3 5/16	3/8	70.0
6-S5V150	14.90	15.00	S1	4C	13 1/4	5 5/16	4 3/8	1/2	9/16	6 3/8	1 1/16	3 5/16	3/8	69.0
6-S5V160	15.90	16.00	S1	4C	14 1/4	5 5/16	4 3/8	1/2	9/16	6 3/8	1 1/16	3 5/16	3/8	79.0
6-S5V212	21.10	21.20	S1	4C	19 3/8	5 5/16	4 3/8	1/2	9/16	6 3/8	1 1/16	3 5/16	3/8	97.0
6-S5V250	24.90	25.00	S1	4C	23 1/4	5 5/16	4 3/8	1/2	9/16	6 3/8	1 1/16	3 5/16	3/8	113
6-S5V280	27.90	28.00	S1	4C	26 1/4	5 5/16	4 3/8	1/2	9/16	6 3/8	1 1/16	3 5/16	3/8	128
6-U5V375	37.40	37.50	U0	4C	35 3/4	5 3/4	4 15/16	27/32	11/32	8 3/8	1 3/16	3 3/4	15/32	206
6-U5V500	49.90	50.00	U0	4C	48 1/4	5 3/4	4 15/16	27/32	11/32	8 3/8	1 3/16	3 3/4	15/32	271

**T_{aper}
B_{ore}** V-pulleys

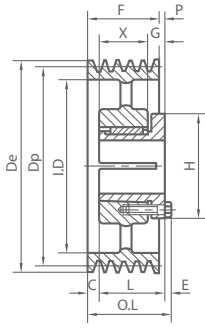
3V-5V-8V

Cast Iron Sheaves

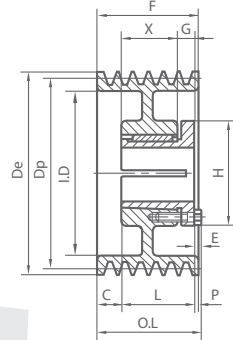
STL



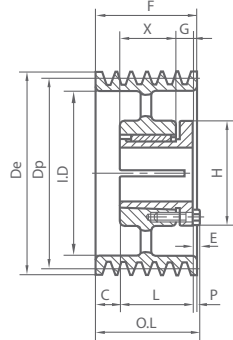
4B



4C



6B



6C

5V-8

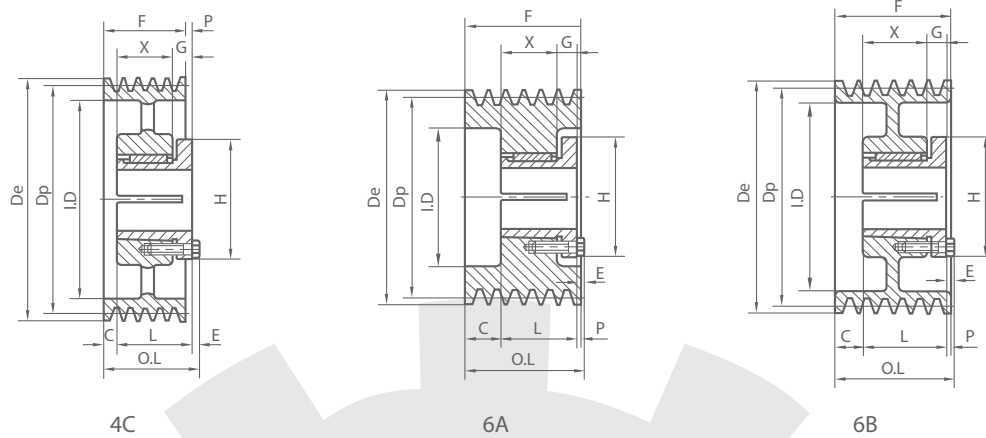
F=5 13/16"(147.64mm)

SHEAVE	DIAMETERS		Bushing	Type	Dimensions									wt Incl Bush
	Dp	De			I.D	OL	L	P	C	H	G	X	E	
8-Q5V71	7.00	7.10	Q2	6B	53/8	513/16	31/2	1	15/16	41/8	3/4	23/4	9/32	27.9
8-Q5V75	7.40	7.50	Q2	6B	53/4	513/16	31/2	1	15/16	41/8	3/4	23/4	9/32	32.1
8-R5V80	7.90	8.00	R2	6B	61/4	61/16	47/8	1/32	29/32	53/8	7/8	4	9/32	45.3
8-R5V85	8.40	8.50	R2	6B	63/4	61/16	47/8	1/32	29/32	53/8	7/8	4	9/32	45.5
8-R5V90	8.90	9.00	R2	6B	71/4	61/16	47/8	1/32	29/32	53/8	7/8	4	9/32	50.1
8-S5V92	9.15	9.25	S1	6B	73/8	6	43/8	3/16	11/4	63/8	11/16	35/16	3/8	47.3
8-S5V97	9.65	9.75	S1	6B	77/8	6	43/8	3/16	11/4	63/8	11/16	35/16	3/8	50.0
8-S5V103	10.20	10.30	S1	6B	87/16	6	43/8	3/16	11/4	63/8	11/16	35/16	3/8	63.0
8-S5V109	10.80	10.90	S1	6B	9	6	43/8	3/16	11/4	63/8	11/16	35/16	3/8	71.0
8-S5V118	11.70	11.80	S1	6B	10	6	43/8	3/16	11/4	63/8	11/16	35/16	3/8	85.0
8-S5V125	12.40	12.50	S1	6C	103/4	6	43/8	3/16	11/4	63/8	11/16	35/16	3/8	76.0
8-S5V132	13.10	13.20	S1	6C	117/16	6	43/8	3/16	11/4	63/8	11/16	35/16	3/8	79.0
8-S5V140	13.90	14.00	S1	6C	121/4	6	43/8	3/16	11/4	63/8	11/16	35/16	3/8	77.0
8-S5V150	14.90	15.00	S1	6C	131/4	6	43/8	3/16	11/4	63/8	11/16	35/16	3/8	83.0
8-S5V160	15.90	16.00	S1	6C	141/4	6	43/8	3/16	11/4	63/8	11/16	35/16	3/8	90.0
8-U5V212	21.10	21.20	U1	4C	193/8	711/16	71/8	113/32	3/32	83/8	11/2	55/8	15/32	175
8-U5V250	24.90	25.00	U1	4C	231/4	711/16	71/8	113/32	3/32	83/8	11/2	55/8	15/32	190
8-U5V280	27.90	28.00	U1	4C	261/4	711/16	71/8	113/32	3/32	83/8	11/2	55/8	15/32	222
8-U5V375	37.40	37.50	U1	4C	353/4	711/16	71/8	113/32	3/32	83/8	11/2	55/8	15/32	264
8-U5V500	49.90	50.00	U1	4C	481/4	711/16	71/8	113/32	3/32	83/8	11/2	55/8	15/32	393

5V-10

F=7 3/16"(182.56mm)

SHEAVE	DIAMETERS		Bushing	Type	Dimensions									wt Incl Bush
	Dp	De			I.D	OL	L	P	C	H	G	X	E	
10-R5V80	7.90	8.00	R2	6B	61/4	73/16	47/8	23/32	119/32	53/8	7/8	4	9/32	43.8
10-R5V85	8.40	8.50	R2	6B	63/4	73/16	47/8	23/32	119/32	53/8	7/8	4	9/32	53.0
10-R5V90	8.90	9.00	R2	6B	71/4	73/16	47/8	23/32	119/32	53/8	7/8	4	9/32	59.0
10-S5V92	9.15	9.25	S1	6B	73/8	73/16	43/8	7/8	115/16	63/8	11/16	35/16	3/8	53.0
10-S5V97	9.65	9.75	S1	6B	77/8	73/16	43/8	7/8	115/16	63/8	11/16	35/16	3/8	60.0
10-S5V103	10.20	10.30	S1	6B	87/16	73/16	43/8	7/8	115/16	63/8	11/16	35/16	3/8	69.0
10-S5V109	10.80	10.90	S1	6B	9	73/16	43/8	7/8	115/16	63/8	11/16	35/16	3/8	78.0
10-S5V118	11.70	11.80	S1	6B	10	73/16	43/8	7/8	115/16	63/8	11/16	35/16	3/8	93.0
10-U5V125	12.40	12.50	U1	4B	103/4	83/8	71/8	23/32	25/32	83/8	11/2	55/8	15/32	132
10-U5V132	13.10	13.20	U1	4B	117/16	83/8	71/8	23/32	25/32	83/8	11/2	55/8	15/32	151
10-U5V140	13.90	14.00	U1	4B	121/4	83/8	71/8	23/32	25/32	83/8	11/2	55/8	15/32	177
10-U5V150	14.90	15.00	U1	4B	131/4	83/8	71/8	23/32	25/32	83/8	11/2	55/8	15/32	164
10-U5V160	15.90	16.00	U1	4B	141/4	83/8	71/8	23/32	25/32	83/8	11/2	55/8	15/32	178
10-U5V212	21.10	21.20	U1	4C	193/8	83/8	71/8	23/32	25/32	83/8	11/2	55/8	15/32	188
10-U5V250	24.90	25.00	U1	4C	231/4	83/8	71/8	23/32	25/32	83/8	11/2	55/8	15/32	213
10-U5V280	27.90	28.00	U1	4C	261/4	83/8	71/8	23/32	25/32	83/8	11/2	55/8	15/32	238
10-U5V375	37.40	37.50	U1	4C	353/4	83/8	71/8	23/32	25/32	83/8	11/2	55/8	15/32	293
10-U5V500	49.90	50.00	U1	4C	481/4	83/8	71/8	23/32	25/32	83/8	11/2	55/8	15/32	428



8V-4

F=4 7/8"(123.83mm)

SHEAVE	DIAMETERS		Bushing	Type	Dimensions								wt Incl Bush	
	Dp	De			I.D	OL	L	P	C	H	G	X		E
4-S8V125	12.30	12.50	S1	6A	9 1/2	4 7/8	4 3/8	1/2	—	6 3/8	1 1/16	3 5/16	3/8	94
4-S8V132	13.00	13.20	S1	6A	10 1/4	4 7/8	4 3/8	1/2	—	6 3/8	1 1/16	3 5/16	3/8	99
4-S8V140	13.80	14.00	S1	6A	11	4 7/8	4 3/8	1/2	—	6 3/8	1 1/16	3 5/16	3/8	114
4-S8V150	14.80	15.00	S1	6B	12	4 7/8	4 3/8	1/2	—	6 3/8	1 1/16	3 5/16	3/8	107
4-S8V160	15.80	16.00	S1	6B	13	4 7/8	4 3/8	1/2	—	6 3/8	1 1/16	3 5/16	3/8	113
4-S8V170	16.80	17.00	S1	6B	14	4 7/8	4 3/8	1/2	—	6 3/8	1 1/16	3 5/16	3/8	115
4-S8V180	17.80	18.00	S1	6B	15	4 7/8	4 3/8	1/2	—	6 3/8	1 1/16	3 5/16	3/8	123
4-S8V190	18.80	19.00	S1	6B	16	4 7/8	4 3/8	1/2	—	6 3/8	1 1/16	3 5/16	3/8	132
4-S8V200	19.80	20.00	S1	6B	17	4 7/8	4 3/8	1/2	—	6 3/8	1 1/16	3 5/16	3/8	147
4-S8V212	21.00	21.20	S1	6B	18 1/4	4 7/8	4 3/8	1/2	—	6 3/8	1 1/16	3 5/16	3/8	159
4-U8V224	22.20	22.40	U0	4C	19 3/8	5 31/32	4 15/16	5/8	9/16	8 3/8	1 3/16	3 3/4	15/32	179
4-U8V300	29.80	30.00	U0	4C	27	5 31/32	4 15/16	5/8	9/16	8 3/8	1 3/16	3 3/4	15/32	218
4-U8V400	39.80	40.00	U0	4C	37	5 31/32	4 15/16	5/8	9/16	8 3/8	1 3/16	3 3/4	15/32	296
4-U8V480	47.80	48.00	U0	4C	45	5 31/32	4 15/16	5/8	9/16	8 3/8	1 3/16	3 3/4	15/32	405
4-U8V530	52.80	53.00	U0	4C	49 3/4	5 31/32	4 15/16	5/8	9/16	8 3/8	1 3/16	3 3/4	15/32	450
4-U8V580	57.80	58.00	U0	4C	54 3/4	5 31/32	4 15/16	5/8	9/16	8 3/8	1 3/16	3 3/4	15/32	495
4-U8V640	63.80	64.00	U0	4C	60 3/4	5 31/32	4 15/16	5/8	9/16	8 3/8	1 3/16	3 3/4	15/32	520

8V-5

F=6" (152.40mm)

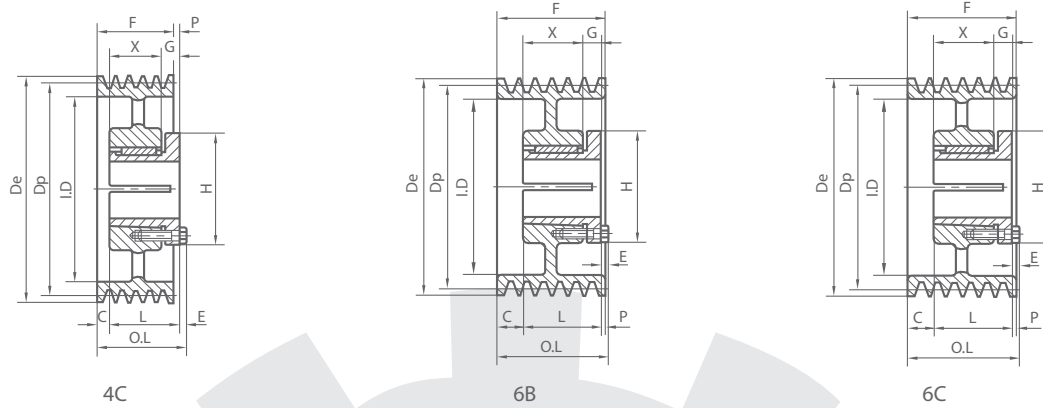
SHEAVE	DIAMETERS		Bushing	Type	Dimensions								wt Incl Bush	
	Dp	De			I.D	OL	L	P	C	H	G	X		E
5-S8V125	12.30	12.50	S1	6B	9 1/2	6	4 3/8	7/8	3/4	6 3/8	1 1/16	3 5/16	3/8	100
5-S8V132	13.00	13.20	S1	6B	10 1/4	6	4 3/8	7/8	3/4	6 3/8	1 1/16	3 5/16	3/8	109
5-S8V140	13.80	14.00	S1	6B	11	6	4 3/8	7/8	3/4	6 3/8	1 1/16	3 5/16	3/8	127
5-S8V150	14.80	15.00	S1	6B	12	6	4 3/8	7/8	3/4	6 3/8	1 1/16	3 5/16	3/8	120
5-S8V160	15.80	16.00	S1	6B	13	6	4 3/8	7/8	3/4	6 3/8	1 1/16	3 5/16	3/8	127
5-S8V170	16.80	17.00	S1	6B	14	6	4 3/8	7/8	3/4	6 3/8	1 1/16	3 5/16	3/8	133
5-S8V180	17.80	18.00	S1	6B	15	6	4 3/8	7/8	3/4	6 3/8	1 1/16	3 5/16	3/8	140
5-S8V190	18.80	19.00	S1	6B	16	6	4 3/8	7/8	3/4	6 3/8	1 1/16	3 5/16	3/8	158
5-S8V200	19.80	20.00	S1	6B	17	6	4 3/8	7/8	3/4	6 3/8	1 1/16	3 5/16	3/8	166
5-S8V212	21.00	21.20	S1	6B	18 1/4	6	4 3/8	7/8	3/4	6 3/8	1 1/16	3 5/16	3/8	174
5-U8V224	22.20	22.40	U0	4C	19 3/8	6 17/32	4 15/16	1/16	1 1/8	8 3/8	1 3/16	3 3/4	15/32	197
5-U8V300	29.80	30.00	U0	4C	27	6 17/32	4 15/16	1/16	1 1/8	8 3/8	1 3/16	3 3/4	15/32	243
5-U8V400	39.80	40.00	U0	4C	37	6 17/32	4 15/16	1/16	1 1/8	8 3/8	1 3/16	3 3/4	15/32	325
5-U8V480	47.80	48.00	U0	4C	45	6 17/32	4 15/16	1/16	1 1/8	8 3/8	1 3/16	3 3/4	15/32	440
5-U8V530	52.80	53.00	U0	4C	49 3/4	6 17/32	4 15/16	1/16	1 1/8	8 3/8	1 3/16	3 3/4	15/32	480
5-U8V580	57.80	58.00	U0	4C	54 3/4	6 17/32	4 15/16	1/16	1 1/8	8 3/8	1 3/16	3 3/4	15/32	525
5-U8V640	63.80	64.00	U0	4C	60 3/4	6 17/32	4 15/16	1/16	1 1/8	8 3/8	1 3/16	3 3/4	15/32	555

T_B^{aper} **V-pulleys**

3V-5V-8V

Cast Iron Sheaves

STL



8V-6

F=7 1/8"(180.98mm)

SHEAVE	DIAMETERS		Bushing	Type	Dimensions									wt Incl Bush
	Dp	De			I.D	OL	L	P	C	H	G	X	E	
6-S8V125	12.30	12.50	S1	6B	9 1/2	7 1/8	4 3/8	2	3/4	6 3/8	1 1/16	3 5/16	3/8	109
6-S8V132	13.00	13.20	S1	6B	10 1/4	7 1/8	4 3/8	2	3/4	6 3/8	1 1/16	3 5/16	3/8	119
6-S8V140	13.80	14.00	S1	6B	11	7 1/8	4 3/8	2	3/4	6 3/8	1 1/16	3 5/16	3/8	135
6-S8V150	14.80	15.00	S1	6B	12	7 1/8	4 3/8	2	3/4	6 3/8	1 1/16	3 5/16	3/8	139
6-S8V160	15.80	16.00	S1	6B	13	7 1/8	4 3/8	2	3/4	6 3/8	1 1/16	3 5/16	3/8	143
6-S8V170	16.80	17.00	S1	6B	14	7 1/8	4 3/8	2	3/4	6 3/8	1 1/16	3 5/16	3/8	147
6-S8V180	17.80	18.00	S1	6B	15	7 1/8	4 3/8	2	3/4	6 3/8	1 1/16	3 5/16	3/8	154
6-S8V190	18.80	19.00	S1	6B	16	7 1/8	4 3/8	2	3/4	6 3/8	1 1/16	3 5/16	3/8	167
6-S8V200	19.80	20.00	S1	6B	17	7 1/8	4 3/8	2	3/4	6 3/8	1 1/16	3 5/16	3/8	178
6-S8V212	21.00	21.20	S1	6B	18 1/4	7 1/8	4 3/8	2	3/4	6 3/8	1 1/16	3 5/16	3/8	186
6-U8V224	22.20	22.40	U0	6C	19 3/8	7 1/8	4 15/16	1/2	1 11/16	8 3/8	1 3/16	3 3/4	15/32	195
6-U8V300	29.80	30.00	U0	6C	27	7 1/8	4 15/16	1/2	1 11/16	8 3/8	1 3/16	3 3/4	15/32	263
6-U8V400	39.80	40.00	U0	6C	37	7 1/8	4 15/16	1/2	1 11/16	8 3/8	1 3/16	3 3/4	15/32	368
6-U8V480	47.80	48.00	U0	6C	45	7 1/8	4 15/16	1/2	1 11/16	8 3/8	1 3/16	3 3/4	15/32	478
6-U8V530	52.80	53.00	U0	6C	49 3/4	7 1/8	4 15/16	1/2	1 11/16	8 3/8	1 3/16	3 3/4	15/32	510
6-U8V580	57.80	58.00	U0	6C	54 3/4	7 1/8	4 15/16	1/2	1 11/16	8 3/8	1 3/16	3 3/4	15/32	555
6-U8V640	63.80	64.00	U0	6C	60 3/4	7 1/8	4 15/16	1/2	1 11/16	8 3/8	1 3/16	3 3/4	15/32	585

8V-8

F=9 3/8"(238.13mm)

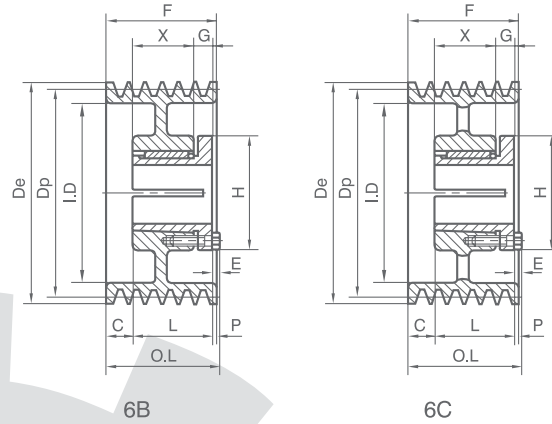
SHEAVE	DIAMETERS		Bushing	Type	Dimensions									wt Incl Bush
	Dp	De			I.D	OL	L	P	C	H	G	X	E	
8-S8V125	12.30	12.50	S2	6B	9 1/2	9 3/8	6 3/4	1 7/8	3/4	6 3/8	1 1/16	5 11/16	3/8	140
8-S8V132	13.00	13.20	S2	6B	10 1/4	9 3/8	6 3/4	1 7/8	3/4	6 3/8	1 1/16	5 11/16	3/8	176
8-S8V140	13.80	14.00	S2	6B	11	9 3/8	6 3/4	1 7/8	3/4	6 3/8	1 1/16	5 11/16	3/8	205
8-S8V150	14.80	15.00	S2	6B	12	9 3/8	6 3/4	1 7/8	3/4	6 3/8	1 1/16	5 11/16	3/8	211
8-S8V160	15.80	16.00	S2	6B	13	9 3/8	6 3/4	1 7/8	3/4	6 3/8	1 1/16	5 11/16	3/8	220
8-U8V170	16.80	17.00	U1	6B	14	9 3/8	7 1/8	1 1/4	1	8 3/8	1 1/2	5 5/8	15/32	248
8-U8V180	17.80	18.00	U1	6B	15	9 3/8	7 1/8	1 1/4	1	8 3/8	1 1/2	5 5/8	15/32	249
8-U8V190	18.80	19.00	U1	6B	16	9 3/8	7 1/8	1 1/4	1	8 3/8	1 1/2	5 5/8	15/32	251
8-U8V200	19.80	20.00	U1	6B	17	9 3/8	7 1/8	1 1/4	1	8 3/8	1 1/2	5 5/8	15/32	255
8-U8V212	21.00	21.20	U1	6B	18 1/4	9 3/8	7 1/8	1 1/4	1	8 3/8	1 1/2	5 5/8	15/32	268
8-U8V224	22.20	22.40	U1	6C	19 3/8	9 15/32	7 1/8	3/8	1 7/8	8 3/8	1 1/2	5 5/8	15/32	295
8-U8V300	29.80	30.00	U1	6C	27	9 15/32	7 1/8	3/8	1 7/8	8 3/8	1 1/2	5 5/8	15/32	358
8-W8V400	39.80	40.00	W1	4C	37	10 5/16	8 1/4	3/8	1 1/2	12 1/2	1 7/8	6 3/8	9/16	567
8-W8V480	47.80	48.00	W1	4C	45	10 5/16	8 1/4	3/8	1 1/2	12 1/2	1 7/8	6 3/8	9/16	715
8-W8V530	52.80	53.00	W1	4C	49 3/4	10 5/16	8 1/4	3/8	1 1/2	12 1/2	1 7/8	6 3/8	9/16	762
8-W8V580	57.80	58.00	W1	4C	54 3/4	10 5/16	8 1/4	3/8	1 1/2	12 1/2	1 7/8	6 3/8	9/16	914
8-W8V640	63.80	64.00	W1	4C	60 3/4	10 5/16	8 1/4	3/8	1 1/2	12 1/2	1 7/8	6 3/8	9/16	970

Taper Bore V-pulleys

3V-5V-8V

Cast Iron Sheaves

STL



8V-10

F=11 5/8"(295.28mm)

SHEAVE	DIAMETERS		Bushing	Type	Dimensions									wt Incl Bush
	Dp	De			I.D	OL	L	P	C	H	G	X	E	
10-U8V125	12.30	12.50	U ₁	6B	9 ¹ / ₂	11 ⁵ / ₈	7 ¹ / ₈	3 ¹ / ₂	1	8 ³ / ₈	1 ¹ / ₂	5 ⁵ / ₈	15 ³ / ₃₂	156
10-U8V132	13.00	13.20	U ₁	6B	10 ¹ / ₄	11 ⁵ / ₈	7 ¹ / ₈	3 ¹ / ₂	1	8 ³ / ₈	1 ¹ / ₂	5 ⁵ / ₈	15 ³ / ₃₂	182
10-U8V140	13.80	14.00	U ₁	6B	11	11 ⁵ / ₈	7 ¹ / ₈	3 ¹ / ₂	1	8 ³ / ₈	1 ¹ / ₂	5 ⁵ / ₈	15 ³ / ₃₂	207
10-U8V150	14.80	15.00	U ₁	6B	12	11 ⁵ / ₈	7 ¹ / ₈	3 ¹ / ₂	1	8 ³ / ₈	1 ¹ / ₂	5 ⁵ / ₈	15 ³ / ₃₂	240
10-U8V160	15.80	16.00	U ₁	6B	13	11 ⁵ / ₈	7 ¹ / ₈	3 ¹ / ₂	1	8 ³ / ₈	1 ¹ / ₂	5 ⁵ / ₈	15 ³ / ₃₂	274
10-U8V170	16.80	17.00	U ₁	6B	14	11 ⁵ / ₈	7 ¹ / ₈	3 ¹ / ₂	1	8 ³ / ₈	1 ¹ / ₂	5 ⁵ / ₈	15 ³ / ₃₂	283
10-U8V180	17.80	18.00	U ₁	6B	15	11 ⁵ / ₈	7 ¹ / ₈	3 ¹ / ₂	1	8 ³ / ₈	1 ¹ / ₂	5 ⁵ / ₈	15 ³ / ₃₂	292
10-U8V190	18.80	19.00	U ₁	6B	16	11 ⁵ / ₈	7 ¹ / ₈	3 ¹ / ₂	1	8 ³ / ₈	1 ¹ / ₂	5 ⁵ / ₈	15 ³ / ₃₂	304
10-U8V200	19.80	20.00	U ₁	6B	17	11 ⁵ / ₈	7 ¹ / ₈	3 ¹ / ₂	1	8 ³ / ₈	1 ¹ / ₂	5 ⁵ / ₈	15 ³ / ₃₂	319
10-U8V212	21.00	21.20	U ₁	6B	18 ¹ / ₄	11 ⁵ / ₈	7 ¹ / ₈	3 ¹ / ₂	1	8 ³ / ₈	1 ¹ / ₂	5 ⁵ / ₈	15 ³ / ₃₂	326
10-U8V224	22.20	22.40	U ₁	6C	19 ³ / ₈	11 ⁵ / ₈	7 ¹ / ₈	1 ¹ / ₂	3	8 ³ / ₈	1 ¹ / ₂	5 ⁵ / ₈	15 ³ / ₃₂	368
10-U8V300	29.80	30.00	U ₁	6C	27	11 ⁵ / ₈	7 ¹ / ₈	1 ¹ / ₂	3	8 ³ / ₈	1 ¹ / ₂	5 ⁵ / ₈	15 ³ / ₃₂	410
10-W8V400	39.80	40.00	W ₁	6C	37	11 ⁵ / ₈	8 ¹ / ₄	3 ⁴ / ₄	25 ⁸ / ₈	12 ¹ / ₂	17 ⁸ / ₈	6 ³ / ₈	9 ¹⁶ / ₁₆	625
10-W8V480	47.80	48.00	W ₁	6C	45	11 ⁵ / ₈	8 ¹ / ₄	3 ⁴ / ₄	25 ⁸ / ₈	12 ¹ / ₂	17 ⁸ / ₈	6 ³ / ₈	9 ¹⁶ / ₁₆	811
10-W8V530	52.80	53.00	W ₁	6C	49 ³ / ₄	11 ⁵ / ₈	8 ¹ / ₄	3 ⁴ / ₄	25 ⁸ / ₈	12 ¹ / ₂	17 ⁸ / ₈	6 ³ / ₈	9 ¹⁶ / ₁₆	955
10-W8V580	57.80	58.00	W ₁	6C	54 ³ / ₄	11 ⁵ / ₈	8 ¹ / ₄	3 ⁴ / ₄	25 ⁸ / ₈	12 ¹ / ₂	17 ⁸ / ₈	6 ³ / ₈	9 ¹⁶ / ₁₆	1060
10-W8V640	63.80	64.00	W ₁	6C	60 ³ / ₄	11 ⁵ / ₈	8 ¹ / ₄	3 ⁴ / ₄	25 ⁸ / ₈	12 ¹ / ₂	17 ⁸ / ₈	6 ³ / ₈	9 ¹⁶ / ₁₆	1170

8V-12

F=13 7/8"(352.43mm)

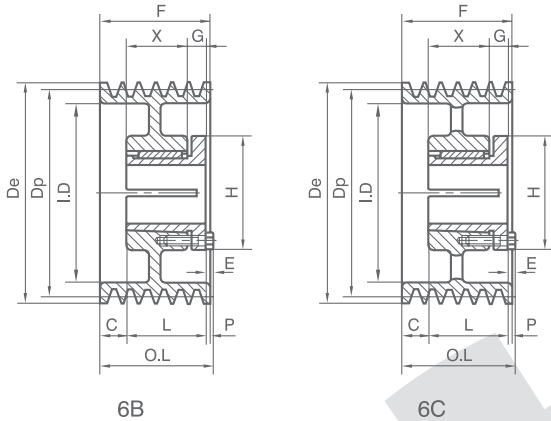
SHEAVE	DIAMETERS		Bushing	Type	Dimensions									wt Incl Bush
	Dp	De			I.D	OL	L	P	C	H	G	X	E	
12-U8V125	12.30	12.50	U ₂	6B	9 ¹ / ₂	13 ⁷ / ₈	10 ¹ / ₈	2 ³ / ₄	1	8 ³ / ₈	1 ¹ / ₂	8 ⁵ / ₈	15 ³ / ₃₂	200
12-U8V132	13.00	13.20	U ₂	6B	10 ¹ / ₄	13 ⁷ / ₈	10 ¹ / ₈	2 ³ / ₄	1	8 ³ / ₈	1 ¹ / ₂	8 ⁵ / ₈	15 ³ / ₃₂	243
12-U8V140	13.80	14.00	U ₂	6B	11	13 ⁷ / ₈	10 ¹ / ₈	2 ³ / ₄	1	8 ³ / ₈	1 ¹ / ₂	8 ⁵ / ₈	15 ³ / ₃₂	282
12-U8V150	14.80	15.00	U ₂	6B	12	13 ⁷ / ₈	10 ¹ / ₈	2 ³ / ₄	1	8 ³ / ₈	1 ¹ / ₂	8 ⁵ / ₈	15 ³ / ₃₂	331
12-U8V160	15.80	16.00	U ₂	6B	13	13 ⁷ / ₈	10 ¹ / ₈	2 ³ / ₄	1	8 ³ / ₈	1 ¹ / ₂	8 ⁵ / ₈	15 ³ / ₃₂	387
12-U8V170	16.80	17.00	U ₂	6B	14	13 ⁷ / ₈	10 ¹ / ₈	2 ³ / ₄	1	8 ³ / ₈	1 ¹ / ₂	8 ⁵ / ₈	15 ³ / ₃₂	395
12-U8V180	17.80	18.00	U ₂	6B	15	13 ⁷ / ₈	10 ¹ / ₈	2 ³ / ₄	1	8 ³ / ₈	1 ¹ / ₂	8 ⁵ / ₈	15 ³ / ₃₂	408
12-U8V190	18.80	19.00	U ₂	6B	16	13 ⁷ / ₈	10 ¹ / ₈	2 ³ / ₄	1	8 ³ / ₈	1 ¹ / ₂	8 ⁵ / ₈	15 ³ / ₃₂	435
12-U8V200	19.80	20.00	U ₂	6B	17	13 ⁷ / ₈	10 ¹ / ₈	2 ³ / ₄	1	8 ³ / ₈	1 ¹ / ₂	8 ⁵ / ₈	15 ³ / ₃₂	458
12-U8V212	21.00	21.20	U ₂	6B	18 ¹ / ₄	13 ⁷ / ₈	10 ¹ / ₈	2 ³ / ₄	1	8 ³ / ₈	1 ¹ / ₂	8 ⁵ / ₈	15 ³ / ₃₂	471
12-U8V224	22.20	22.40	U ₂	6C	19 ³ / ₈	13 ⁷ / ₈	10 ¹ / ₈	1 ¹ / ₈	25 ⁸ / ₈	8 ³ / ₈	1 ¹ / ₂	8 ⁵ / ₈	15 ³ / ₃₂	489
12-U8V300	29.80	30.00	U ₂	6C	27	13 ⁷ / ₈	10 ¹ / ₈	1 ¹ / ₈	25 ⁸ / ₈	8 ³ / ₈	1 ¹ / ₂	8 ⁵ / ₈	15 ³ / ₃₂	509
12-W8V400	39.80	40.00	W ₂	6C	37	14 ¹ / ₁₆	11 ¹ / ₄	3 ⁸ / ₈	21 ⁴ / ₄	12 ¹ / ₂	17 ⁸ / ₈	9 ³ / ₈	9 ¹⁶ / ₁₆	764
12-W8V480	47.80	48.00	W ₂	6C	45	14 ¹ / ₁₆	11 ¹ / ₄	3 ⁸ / ₈	21 ⁴ / ₄	12 ¹ / ₂	17 ⁸ / ₈	9 ³ / ₈	9 ¹⁶ / ₁₆	1000
12-W8V530	52.80	53.00	W ₂	6C	49 ³ / ₄	14 ¹ / ₁₆	11 ¹ / ₄	3 ⁸ / ₈	21 ⁴ / ₄	12 ¹ / ₂	17 ⁸ / ₈	9 ³ / ₈	9 ¹⁶ / ₁₆	1160
12-W8V580	57.80	58.00	W ₂	6C	54 ³ / ₄	14 ¹ / ₁₆	11 ¹ / ₄	3 ⁸ / ₈	21 ⁴ / ₄	12 ¹ / ₂	17 ⁸ / ₈	9 ³ / ₈	9 ¹⁶ / ₁₆	1330
12-W8V640	63.80	64.00	W ₂	6C	60 ³ / ₄	14 ¹ / ₁₆	11 ¹ / ₄	3 ⁸ / ₈	21 ⁴ / ₄	12 ¹ / ₂	17 ⁸ / ₈	9 ³ / ₈	9 ¹⁶ / ₁₆	1460

**T_{aper}
B_{ore} V-pulleys**

3V-5V-8V

Cast Iron Sheaves

STL



8V-14

F=16 1/8"(409.58mm)

SHEAVE	DIAMETERS		Bushing	Type	Dimensions									wt Incl Bush
	Dp	De			I.D	OL	L	P	C	H	G	X	E	
14-U8V125	12.30	12.50	U ₂	6B	9 ¹ / ₂	16 ¹ / ₈	10 ¹ / ₈	5	1	8 ³ / ₈	1 ¹ / ₂	8 ⁵ / ₈	15 ¹ / ₃₂	220
14-U8V132	13.00	13.20	U ₂	6B	10 ¹ / ₄	16 ¹ / ₈	10 ¹ / ₈	5	1	8 ³ / ₈	1 ¹ / ₂	8 ⁵ / ₈	15 ¹ / ₃₂	261
14-U8V140	13.80	14.00	U ₂	6B	11	16 ¹ / ₈	10 ¹ / ₈	5	1	8 ³ / ₈	1 ¹ / ₂	8 ⁵ / ₈	15 ¹ / ₃₂	300
14-U8V150	14.80	15.00	U ₂	6B	12	16 ¹ / ₈	10 ¹ / ₈	5	1	8 ³ / ₈	1 ¹ / ₂	8 ⁵ / ₈	15 ¹ / ₃₂	370
14-U8V160	15.80	16.00	U ₂	6B	13	16 ¹ / ₈	10 ¹ / ₈	5	1	8 ³ / ₈	1 ¹ / ₂	8 ⁵ / ₈	15 ¹ / ₃₂	415
14-U8V170	16.80	17.00	U ₂	6B	14	16 ¹ / ₈	10 ¹ / ₈	5	1	8 ³ / ₈	1 ¹ / ₂	8 ⁵ / ₈	15 ¹ / ₃₂	440
14-U8V180	17.80	18.00	U ₂	6B	15	16 ¹ / ₈	10 ¹ / ₈	5	1	8 ³ / ₈	1 ¹ / ₂	8 ⁵ / ₈	15 ¹ / ₃₂	450
14-U8V190	18.80	19.00	U ₂	6B	16	16 ¹ / ₈	10 ¹ / ₈	5	1	8 ³ / ₈	1 ¹ / ₂	8 ⁵ / ₈	15 ¹ / ₃₂	470
14-U8V200	19.80	20.00	U ₂	6B	17	16 ¹ / ₈	10 ¹ / ₈	5	1	8 ³ / ₈	1 ¹ / ₂	8 ⁵ / ₈	15 ¹ / ₃₂	490
14-U8V212	21.00	21.20	U ₂	6B	18 ¹ / ₄	16 ¹ / ₈	10 ¹ / ₈	5	1	8 ³ / ₈	1 ¹ / ₂	8 ⁵ / ₈	15 ¹ / ₃₂	510
14-U8V224	22.20	22.40	U ₂	6C	19 ³ / ₈	16 ¹ / ₈	10 ¹ / ₈	2 ¹ / ₄	3 ³ / ₄	8 ³ / ₈	1 ¹ / ₂	8 ⁵ / ₈	15 ¹ / ₃₂	659
14-U8V300	29.80	30.00	U ₂	6C	27	16 ¹ / ₈	10 ¹ / ₈	2 ¹ / ₄	3 ³ / ₄	8 ³ / ₈	1 ¹ / ₂	8 ⁵ / ₈	15 ¹ / ₃₂	710
14-W8V400	39.80	40.00	W ₂	6C	37	16 ¹ / ₈	11 ¹ / ₄	1 ¹ / ₂	3 ³ / ₈	12 ¹ / ₂	1 ⁷ / ₈	9 ³ / ₈	9 ¹ / ₁₆	840
14-W8V480	47.80	48.00	W ₂	6C	45	16 ¹ / ₈	11 ¹ / ₄	1 ¹ / ₂	3 ³ / ₈	12 ¹ / ₂	1 ⁷ / ₈	9 ³ / ₈	9 ¹ / ₁₆	1140
14-W8V530	52.80	53.00	W ₂	6C	49 ³ / ₄	16 ¹ / ₈	11 ¹ / ₄	1 ¹ / ₂	3 ³ / ₈	12 ¹ / ₂	1 ⁷ / ₈	9 ³ / ₈	9 ¹ / ₁₆	1234
14-W8V580	57.80	58.00	W ₂	6C	54 ³ / ₄	16 ¹ / ₈	11 ¹ / ₄	1 ¹ / ₂	3 ³ / ₈	12 ¹ / ₂	1 ⁷ / ₈	9 ³ / ₈	9 ¹ / ₁₆	1450
14-W8V640	63.80	64.00	W ₂	6C	60 ³ / ₄	16 ¹ / ₈	11 ¹ / ₄	1 ¹ / ₂	3 ³ / ₈	12 ¹ / ₂	1 ⁷ / ₈	9 ³ / ₈	9 ¹ / ₁₆	1550

8V-16

F=18 3/8"(466.73mm)

SHEAVE	DIAMETERS		Bushing	Type	Dimensions									wt Incl Bush
	Dp	De			I.D	OL	L	P	C	H	G	X	E	
16-U8V125	12.30	12.50	U ₂	6B	9 ¹ / ₂	18 ³ / ₈	10 ¹ / ₈	7 ¹ / ₄	1	8 ³ / ₈	1 ¹ / ₂	8 ⁵ / ₈	15 ¹ / ₃₂	270
16-U8V132	13.00	13.20	U ₂	6B	10 ¹ / ₄	18 ³ / ₈	10 ¹ / ₈	7 ¹ / ₄	1	8 ³ / ₈	1 ¹ / ₂	8 ⁵ / ₈	15 ¹ / ₃₂	280
16-U8V140	13.80	14.00	U ₂	6B	11	18 ³ / ₈	10 ¹ / ₈	7 ¹ / ₄	1	8 ³ / ₈	1 ¹ / ₂	8 ⁵ / ₈	15 ¹ / ₃₂	323
16-U8V150	14.80	15.00	U ₂	6B	12	18 ³ / ₈	10 ¹ / ₈	7 ¹ / ₄	1	8 ³ / ₈	1 ¹ / ₂	8 ⁵ / ₈	15 ¹ / ₃₂	430
16-U8V160	15.80	16.00	U ₂	6B	13	18 ³ / ₈	10 ¹ / ₈	7 ¹ / ₄	1	8 ³ / ₈	1 ¹ / ₂	8 ⁵ / ₈	15 ¹ / ₃₂	445
16-U8V170	16.80	17.00	U ₂	6B	14	18 ³ / ₈	10 ¹ / ₈	7 ¹ / ₄	1	8 ³ / ₈	1 ¹ / ₂	8 ⁵ / ₈	15 ¹ / ₃₂	467
16-U8V180	17.80	18.00	U ₂	6B	15	18 ³ / ₈	10 ¹ / ₈	7 ¹ / ₄	1	8 ³ / ₈	1 ¹ / ₂	8 ⁵ / ₈	15 ¹ / ₃₂	480
16-U8V190	18.80	19.00	U ₂	6B	16	18 ³ / ₈	10 ¹ / ₈	7 ¹ / ₄	1	8 ³ / ₈	1 ¹ / ₂	8 ⁵ / ₈	15 ¹ / ₃₂	494
16-U8V200	19.80	20.00	U ₂	6B	17	18 ³ / ₈	10 ¹ / ₈	7 ¹ / ₄	1	8 ³ / ₈	1 ¹ / ₂	8 ⁵ / ₈	15 ¹ / ₃₂	520
16-U8V212	21.00	21.20	U ₂	6B	18 ¹ / ₄	18 ³ / ₈	10 ¹ / ₈	7 ¹ / ₄	1	8 ³ / ₈	1 ¹ / ₂	8 ⁵ / ₈	15 ¹ / ₃₂	538
16-U8V224	22.20	22.40	U ₂	6C	19 ³ / ₈	18 ³ / ₈	10 ¹ / ₈	3 ³ / ₈	4 ⁷ / ₈	8 ³ / ₈	1 ¹ / ₂	8 ⁵ / ₈	15 ¹ / ₃₂	722
16-W8V300	29.80	30.00	W ₂	6C	27	18 ³ / ₈	11 ¹ / ₄	2 ⁵ / ₈	4 ¹ / ₂	12 ¹ / ₂	1 ⁷ / ₈	9 ³ / ₈	9 ¹ / ₁₆	990
16-W8V400	39.80	40.00	W ₂	6C	37	18 ³ / ₈	11 ¹ / ₄	2 ⁵ / ₈	4 ¹ / ₂	12 ¹ / ₂	1 ⁷ / ₈	9 ³ / ₈	9 ¹ / ₁₆	1071
16-W8V480	47.80	48.00	W ₂	6C	45	18 ³ / ₈	11 ¹ / ₄	2 ⁵ / ₈	4 ¹ / ₂	12 ¹ / ₂	1 ⁷ / ₈	9 ³ / ₈	9 ¹ / ₁₆	1360
16-W8V530	52.80	53.00	W ₂	6C	49 ³ / ₄	18 ³ / ₈	11 ¹ / ₄	2 ⁵ / ₈	4 ¹ / ₂	12 ¹ / ₂	1 ⁷ / ₈	9 ³ / ₈	9 ¹ / ₁₆	1490
16-W8V580	57.80	58.00	W ₂	6C	54 ³ / ₄	18 ³ / ₈	11 ¹ / ₄	2 ⁵ / ₈	4 ¹ / ₂	12 ¹ / ₂	1 ⁷ / ₈	9 ³ / ₈	9 ¹ / ₁₆	1620
16-W8V640	63.80	64.00	W ₂	6C	60 ³ / ₄	18 ³ / ₈	11 ¹ / ₄	2 ⁵ / ₈	4 ¹ / ₂	12 ¹ / ₂	1 ⁷ / ₈	9 ³ / ₈	9 ¹ / ₁₆	1790

**T_{aper}
B_{ore}** V-pulleys

A/B-C-D

Cast Iron Sheaves

NSPT taper pulleys of A/B-C-D series, with maximum outside diameter of 50" and maximum groove number of 12, can be equipped with bushes of BTL or QTL series and supply to various mechanical devices of V-belt transmission.



BTL V-Pulley
Cast Sheaves
A/B-C-D



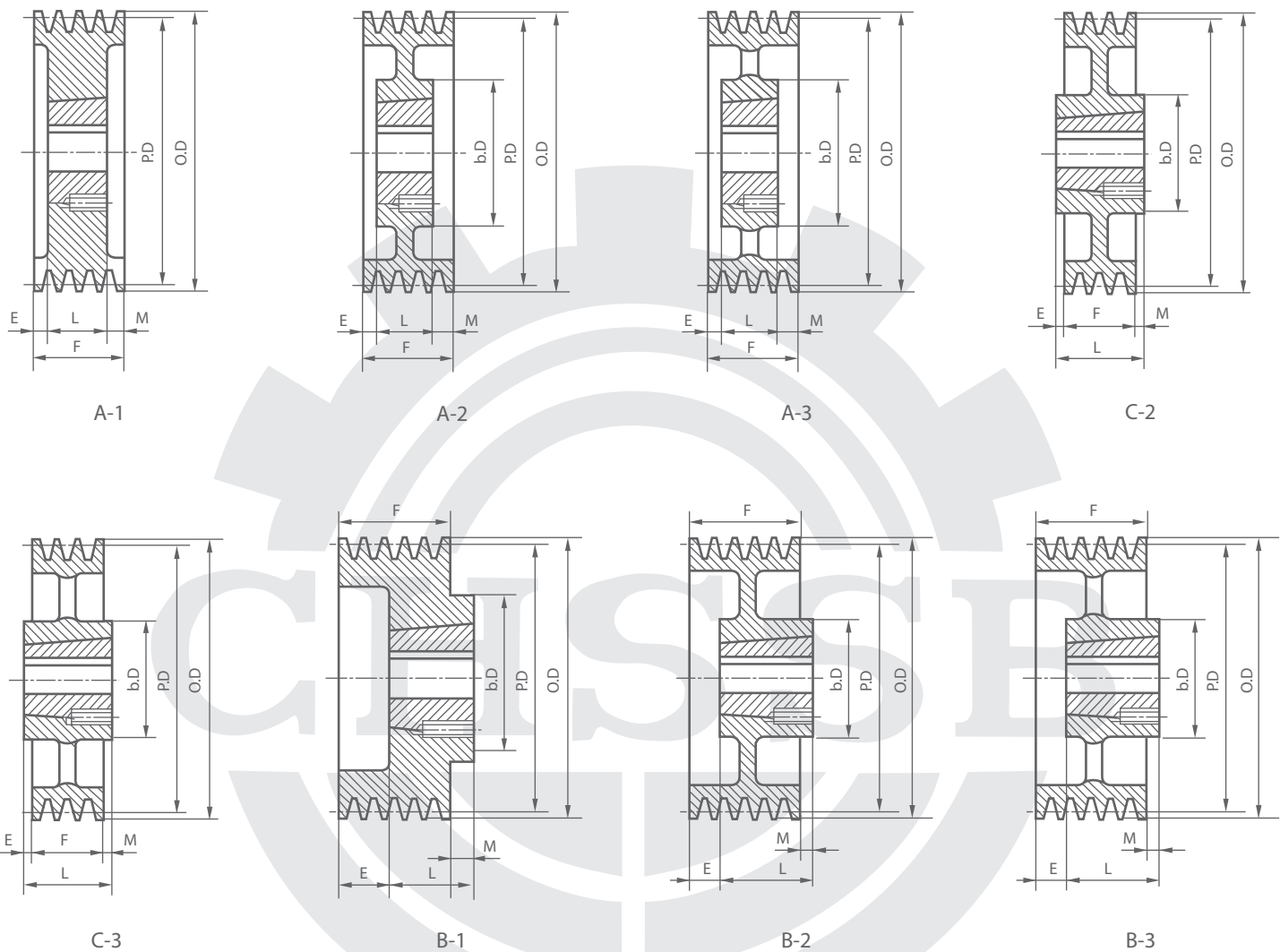
QTL V-Pulley
Cast Sheaves
A/B-C-D

**T_{aper}
B_{ore}** V-pulleys

Cast Sheaves

A/B-C-D

BTL



EXPRESSIONS OF TYPES FOR TAPER-LOCK SHEAVES
FOR STANDARD NARROW V BELT

4 C 100 TB2517

- Types of Taper Lock Bushings
- Outer Dia. of Sheaves (inches x 10)
- Types for V Gripbelt
- Groove

**T_{aper}
B_{ore}** V-pulleys

A/B-C-D

Cast Iron Sheaves

BTL

GROOVE DIMENSIONS

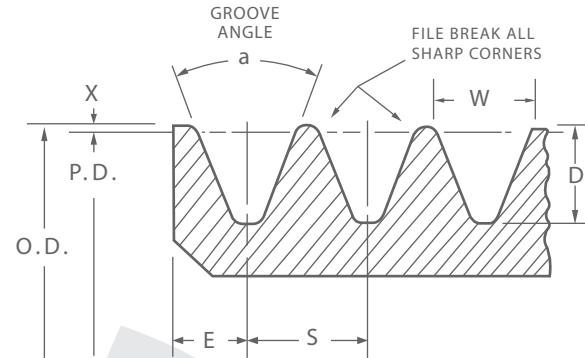
A/B-C-D-E

Face Width of Stock and Standard Sheaves

Face Width = $S(N-1) + 2E$

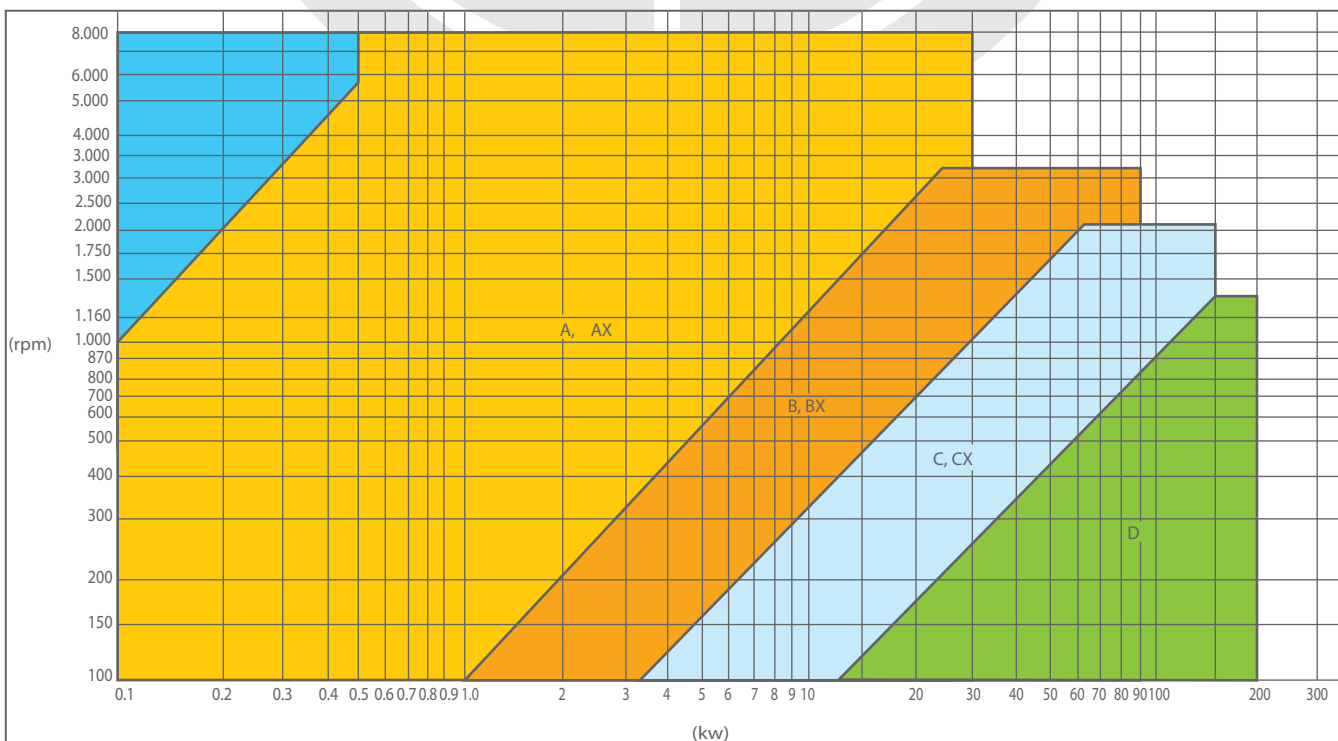
Where:

N = Number of Grooves



Belt	Minimum Recommended	P.D. Range	a Groove Angle $\pm 1/4^\circ$	Groove Dimensions					
				W	$\pm .031$	X	$\pm .031$	E	
A	3.0	2.6-5.4 Over 5.4	34° 38°	.494 .504 $\pm .005$.490	.125	.625	.375	+0.070 -0.000
B	5.4	4.6-7.0 Over 7.0	34° 38°	.637 .650 $\pm .005$.580	.175	.750	.500	+0.150 -0.000
A·B	A 3.0 B 5.4	3.4-6.8 Over 6.8	34° 38°	.612 .625 $\pm .005$.625	.175	.750	.500	+0.150 -0.100
C	9.0	7.0-7.99 8.0-12.0 Over 12.0	34° 36° 38°	.879 .887 $\pm .007$.895	.780	.200	1	.688	+0.150 -0.000
D	13.0	12.0-12.99 13.0-17.0 Over 17.0	34° 36° 38°	1.259 1.271 $\pm .007$ 1.283	1.050	.300	1.438	.875	+0.250 -0.000
E	21.0	18.0-24.0 Over 24.0	36° 38°	1.527 1.542 $\pm .010$	1.300	.400	1.75	1.123	+0.250 -0.000

SELECTION FOR STOCK V-BELT PULLEYS



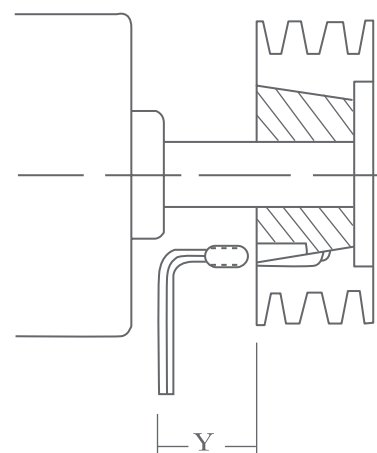
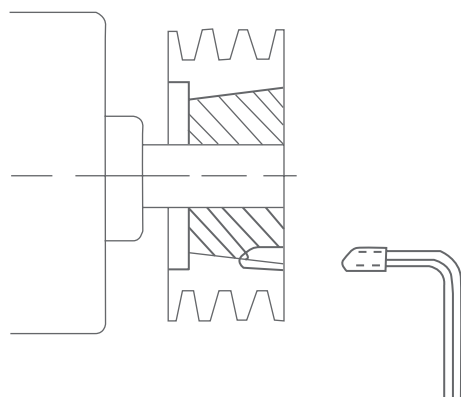
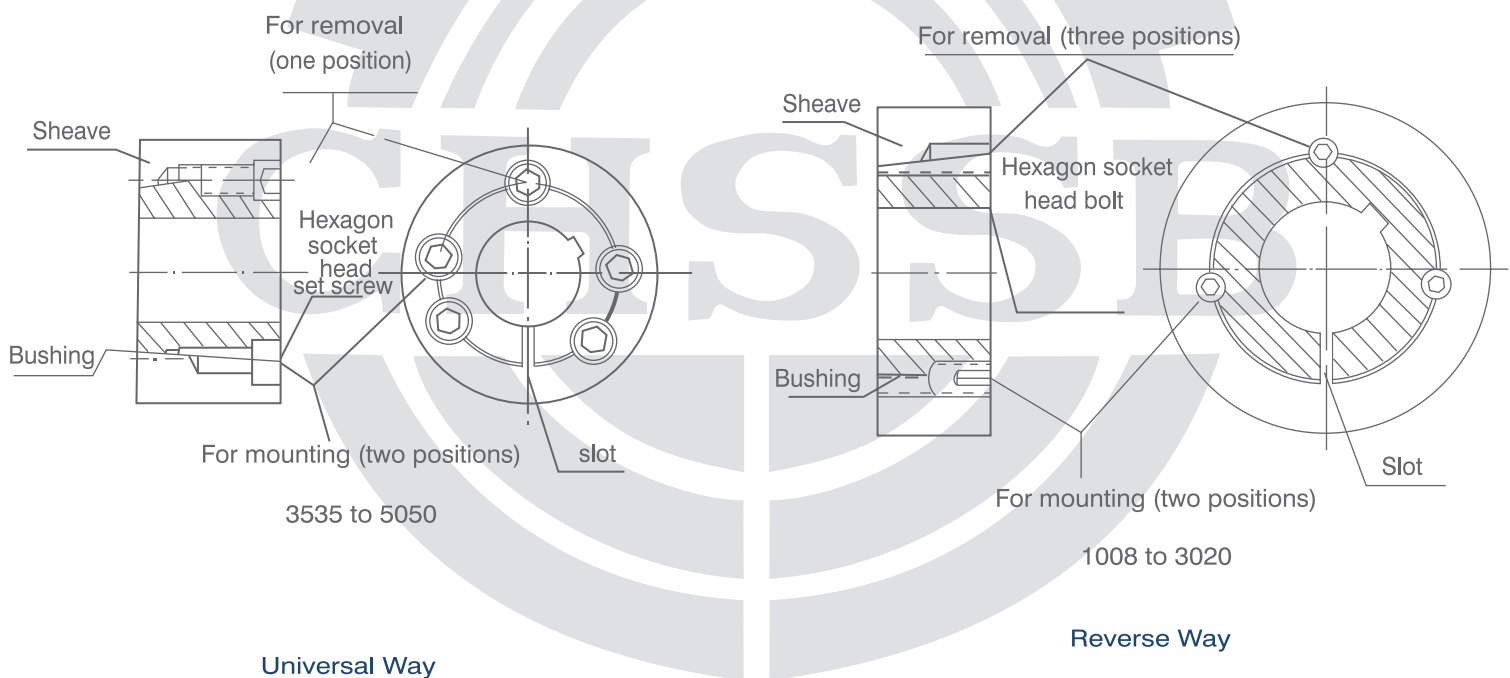
**T_{aper}
B_{ore}** V-pulleys

A/B-C-D

Cast Iron Sheaves

BTL

V-belt pulleys with a new type taper-lock bushing has changed the traditional way of transmission. It is easy on and off with high precision and reliable transmission function. It is suitable for any installation of different series through the using of taper-lock bushings of different specifications. It can simplify the design procedure, avoid remachinery but increase the degree of the commonality and standardization of the V-belt pulleys. It can be adopted widely in power transmission uses.



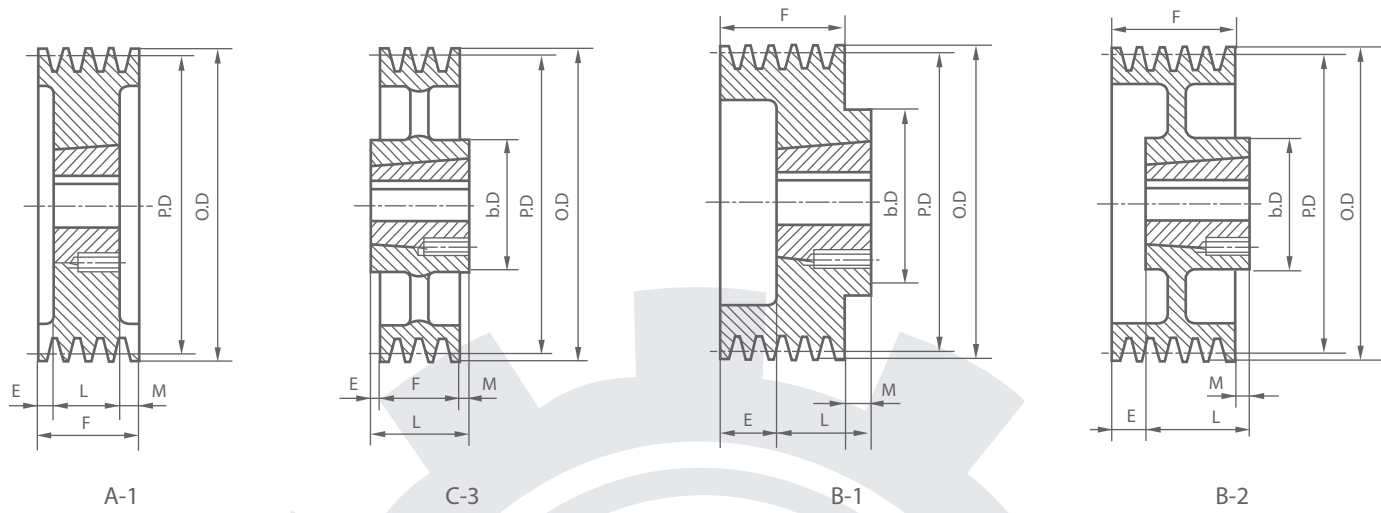
*Screw fastening and removing clearance (Y) is necessary.

**T_{aper}
B_{ore}** V-pulleys

A/B-C-D

Cast Iron Sheaves

BTL



A/B-1

F=1" (25.40mm)

SHEAVE	P.D		O.D	Bush	Bush Max. Bore	TYPE	E	bD	L	WT LESS Bush
	A Belt	B Belt								
1 B 34 TB1210	3.00	3.40	3.75	1210	A1	1 1/4	—	1	—	2.2
1 B 36 TB1210	3.20	3.60	3.95	1210	A1	1 1/4	—	1	—	2.6
1 B 38 TB1610	3.40	3.80	4.15	1610	A1	1 5/8	—	1	—	2.8
1 B 40 TB1610	3.60	4.00	4.35	1610	A1	1 5/8	—	1	—	3.0
1 B 42 TB1610	3.80	4.20	4.55	1610	A1	1 5/8	—	1	—	3.5
1 B 44 TB1610	4.00	4.40	4.75	1610	A1	1 5/8	—	1	—	3.8
1 B 46 TB1610	4.20	4.60	4.95	1610	A1	1 5/8	—	1	—	4.0
1 B 48 TB1610	4.40	4.80	5.15	1610	A1	1 5/8	—	1	—	4.5
1 B 50 TB1610	4.60	5.00	5.35	1610	A1	1 5/8	—	1	—	4.8
1 B 52 TB1610	4.80	5.20	5.55	1610	A1	1 5/8	—	1	—	5.0
1 B 54 TB1610	5.00	5.40	5.75	1610	A1	1 5/8	—	1	—	5.5
1 B 56 TB1610	5.20	5.60	5.95	1610	A1	1 5/8	—	1	—	6.0
1 B 58 TB1610	5.40	5.80	6.15	1610	A1	1 5/8	—	1	—	6.3
1 B 60 TB1610	5.60	6.00	6.35	1610	A1	1 5/8	—	1	—	6.7
1 B 62 TB1610	5.80	6.20	6.55	1610	A1	1 5/8	—	1	—	7.0
1 B 64 TB1610	6.00	6.40	6.75	1610	A1	1 5/8	—	1	—	8.0
1 B 66 TB1610	6.20	6.60	6.95	1610	A1	1 5/8	—	1	—	8.5
1 B 68 TB1610	6.40	6.80	7.15	1610	A1	1 5/8	—	1	—	9.0
1 B 74 TB2517	7.00	7.40	7.75	2517	B1	2 1/2	4 3/4	1 3/4	3/4	9.4
1 B 86 TB2517	8.20	8.60	8.95	2517	B2	2 1/2	4 3/4	1 3/4	3/4	12.0
1 B 94 TB2517	9.00	9.40	9.75	2517	B2	2 1/2	4 3/4	1 3/4	3/4	14.0
1 B 110 TB2517	10.60	11.00	11.35	2517	B2	2 1/2	4 3/4	1 3/4	3/4	18.0
1 B 124 TB2517	12.00	12.40	12.75	2517	C3	2 1/2	4 3/4	1 3/4	1/2	18.5
1 B 154 TB2517	15.00	15.40	15.75	2517	C3	2 1/2	4 3/4	1 3/4	1/2	19.0
*1 B 184 TB2517	18.00	18.40	18.75	2517	C3	2 1/2	4 3/4	1 3/4	7/16	24.0

*F=1 1/8"

BTL-Bushing Standard Bore

Bushing	Bore Range	
	Min	Max
1210	1/2	1 1/4
1610	1/2	1 5/8
2517	1/2	2 1/2

Standard Keyseats

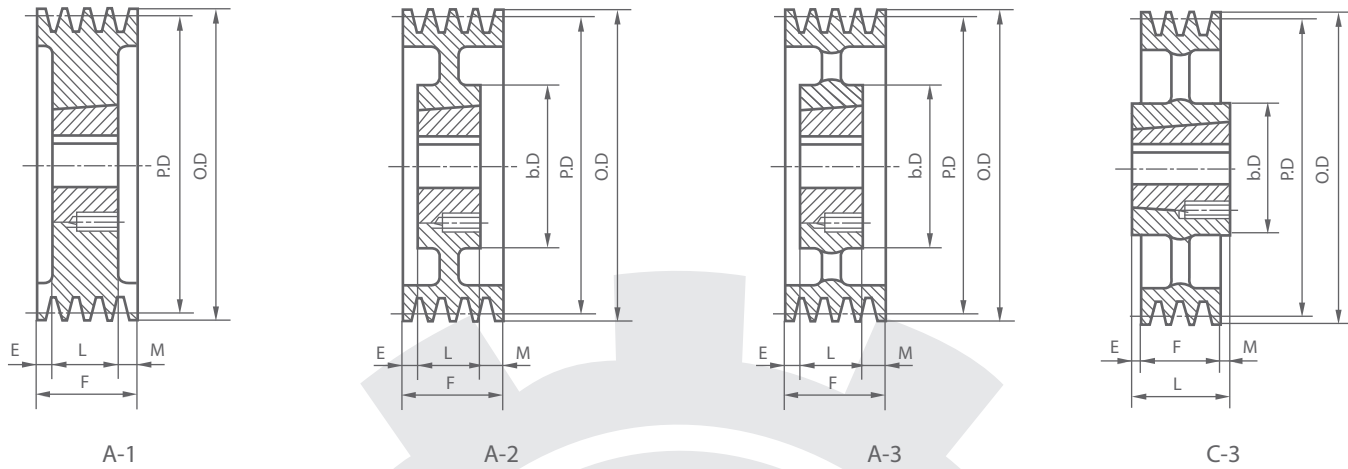
Bore Range	Keyseat	Bore Range	Keyseat
1/2-9/16	1/8x1/16	1 7/16-1 3/4	3/8x3/16
5/8-7/8	3/16x3/32	1 13/16-2 1/4	1/2x1/4
15/16-1 1/4	1/4x1/8	2 5/16-2 3/4	5/8x5/16
15/16-1 3/8	5/16x5/32	2 13/16-3 1/4	3/4x3/8

**T_{aper}
B_{ore}** V-pulleys

A/B-C-D

Cast Iron Sheaves

BTL



A/B-2

F=1 3/4" (44.45mm)

SHEAVE	P.D		O.D	Bush	Bush Max. Bore	TYPE	E	bD	L	WT LESS Bush	
	A Belt	B Belt									
2 B 34 TB1210	3.00	3.40	3.75	1210	A1	1 1/4	3/4	—	1	—	2.2
2 B 36 TB1210	3.20	3.60	3.95	1210	A1	1 1/4	3/4	—	1	—	2.6
2 B 38 TB1610	3.40	3.80	4.15	1610	A1	1 5/8	3/4	—	1	—	2.8
2 B 40 TB1610	3.60	4.00	4.35	1610	A1	1 5/8	3/4	—	1	—	3.0
2 B 42 TB1610	3.80	4.20	4.55	1610	A1	1 5/8	3/4	—	1	—	4.0
2 B 44 TB1610	4.00	4.40	4.75	1610	A1	1 5/8	3/4	—	1	—	4.5
2 B 46 TB1610	4.20	4.60	4.95	1610	A1	1 5/8	3/4	—	1	—	5.0
2 B 48 TB1610	4.40	4.80	5.15	1610	A1	1 5/8	3/4	—	1	—	5.5
2 B 50 TB1610	4.60	5.00	5.35	1610	A1	1 5/8	3/4	—	1	—	6.0
2 B 52 TB1610	4.80	5.20	5.55	1610	A1	1 5/8	3/4	—	1	—	6.5
2 B 54 TB1610	5.00	5.40	5.75	1610	A1	1 5/8	3/4	—	1	—	7.0
2 B 56 TB1610	5.20	5.60	5.95	1610	A1	1 5/8	3/4	—	1	—	8.2
2 B 58 TB1610	5.40	5.80	6.15	1610	A1	1 5/8	3/4	—	1	—	8.6
2 B 60 TB1610	5.60	6.00	6.35	1610	A1	1 5/8	3/4	—	1	—	8.8
2 B 62 TB1610	5.80	6.20	6.55	1610	A1	1 5/8	3/4	—	1	—	9.0
2 B 64 TB1610	6.00	6.40	6.75	1610	A1	1 5/8	3/4	—	1	—	10.0
2 B 66 TB1610	6.20	6.60	6.95	1610	A1	1 5/8	3/4	—	1	—	10.5
2 B 68 TB1610	6.40	6.80	7.15	1610	A1	1 5/8	3/4	—	1	—	11.0
2 B 74 TB2517	7.00	7.40	7.75	2517	A1	2 1/2	—	—	1 3/4	—	16.0
2 B 86 TB2517	8.20	8.60	8.95	2517	A2	2 1/2	—	4 3/4	1 3/4	—	18.0
2 B 94 TB2517	9.00	9.40	9.75	2517	A2	2 1/2	—	4 3/4	1 3/4	—	20.0
2 B 110 TB2517	10.60	11.00	11.35	2517	A2	2 1/2	—	4 3/4	1 3/4	—	25.0
2 B 124 TB2517	12.00	12.40	12.75	2517	A3	2 1/2	—	4 3/4	1 3/4	—	27.0
2 B 154 TB2517	15.00	15.40	15.75	2517	A3	2 1/2	—	4 3/4	1 3/4	—	31.0
2 B 184 TB2517	18.00	18.40	18.75	2517	A3	2 1/2	—	4 3/4	1 3/4	—	33.0
2 B 200 TB3020	19.60	20.00	20.35	3020	C3	3	—	5 11/16	2	1/4	49.0
2 B 250 TB3020	24.60	25.00	25.35	3020	C3	3	—	5 11/16	2	1/4	65.0
2 B 300 TB3020	29.60	30.00	30.35	3020	C3	3	—	5 11/16	2	1/4	75.0
2 B 380 TB3020	37.60	38.00	38.35	3020	C3	3	—	5 11/16	2	1/4	112

BTL-Bushing Standard Bore

Bushing	Bore Range	
	Min	Max
1210	1/2	1 1/4
1610	1/2	1 5/8
2517	1/2	2 1/2
3020,3030	7/8	3"

Standard Keyseats

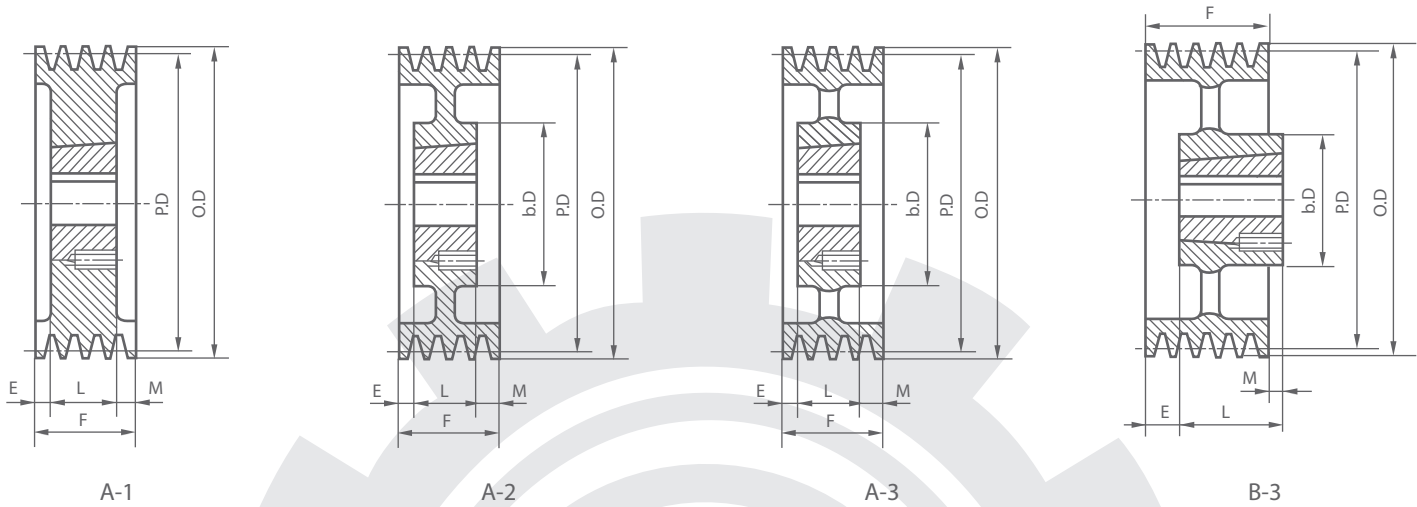
Bore Range	Keyseat	Bore Range	Keyseat
1/2-9/16	1/8x1/16	17/16-13/4	3/8x3/16
5/8-7/8	3/16x3/32	113/16-21/4	1/2x1/4
15/16-11/4	1/4x1/8	25/16-23/4	5/8x5/16
15/16-13/8	5/16x5/32	213/16-31/4	3/4x3/8

**T_{aper}
B_{ore}** V-pulleys

A/B-C-D

Cast Iron Sheaves

BTL



A/B-3

F=2 1/2" (63.50mm)

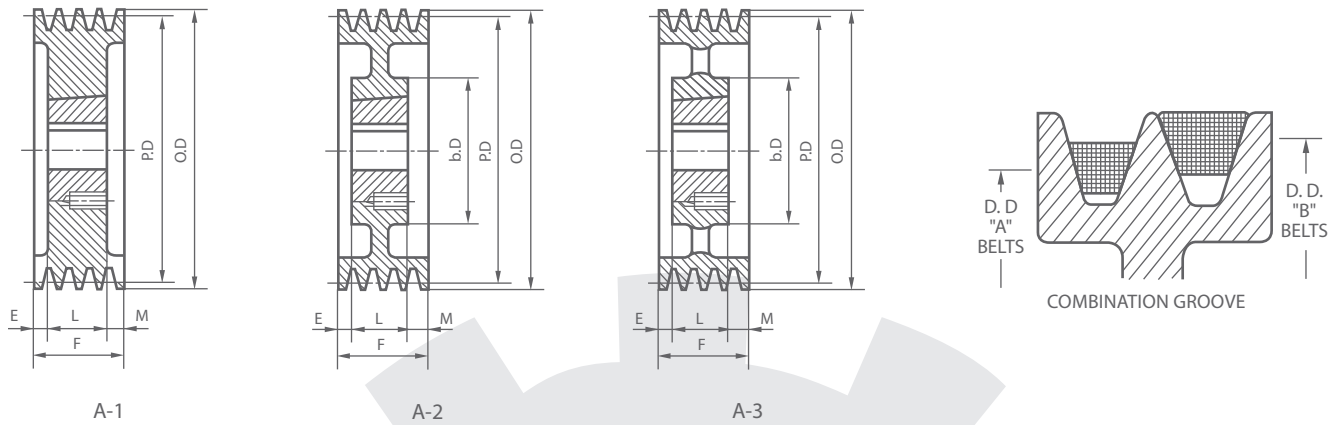
SHEAVE	PD		OD	Bush	Bush Max. Bore	TYPE	E	bD	L	WT. LESS Bush
	A Belte	B Belte								
3 B 34 TB1210	3.00	3.40	3.75	1210	A1	1 1/4	1 1/2	1	—	3.0
3 B 36 TB1210	3.20	3.60	3.95	1210	A1	1 1/4	1 1/2	1	—	3.5
3 B 38 TB1610	3.40	3.80	4.15	1610	A1	1 5/8	1 1/2	1	—	4.0
3 B 40 TB1610	3.60	4.00	4.35	1610	A1	1 5/8	1 1/2	1	—	5.0
3 B 42 TB1610	3.80	4.20	4.55	1610	A1	1 5/8	1 1/2	1	—	6.0
3 B 44 TB1610	4.00	4.40	4.75	1610	A1	1 5/8	1 1/2	1	—	6.5
3 B 46 TB1610	4.20	4.60	4.95	1610	A1	1 5/8	1 1/2	1	—	7.0
3 B 48 TB1610	4.40	4.80	5.15	1610	A1	1 5/8	1 1/2	1	—	8.0
3 B 50 TB1610	4.60	5.00	5.35	1610	A1	1 5/8	1 1/2	1	—	8.5
3 B 52 TB1610	4.80	5.20	5.55	1610	A1	1 5/8	1 1/2	1	—	9.0
3 B 54 TB2517	5.00	5.40	5.75	2517	A1	2 1/2	3/4	1 3/4	—	9.5
3 B 56 TB2517	5.20	5.60	5.95	2517	A1	2 1/2	3/4	1 3/4	—	10.0
3 B 58 TB2517	5.40	5.80	6.15	2517	A1	2 1/2	3/4	1 3/4	—	10.5
3 B 60 TB2517	5.60	6.00	6.35	2517	A1	2 1/2	3/4	1 3/4	—	11.0
3 B 62 TB2517	5.80	6.20	6.55	2517	A1	2 1/2	3/4	1 3/4	—	11.5
3 B 64 TB2517	6.00	6.40	6.75	2517	A1	2 1/2	3/4	1 3/4	—	12.0
3 B 66 TB2517	6.20	6.60	6.95	2517	A1	2 1/2	3/4	1 3/4	—	12.3
3 B 68 TB2517	6.40	6.80	7.15	2517	A1	2 1/2	3/4	1 3/4	—	12.8
3 B 74 TB2517	7.00	7.40	7.75	2517	A1	2 1/2	3/4	1 3/4	—	16.0
3 B 86 TB2517	8.20	8.60	8.95	2517	A2	2 1/2	3/4	1 3/4	—	19.0
3 B 94 TB2517	9.00	9.40	9.75	2517	A2	2 1/2	3/4	1 3/4	—	21.0
3 B 110 TB2517	10.60	11.00	11.35	2517	A2	2 1/2	3/4	1 3/4	—	24.0
3 B 124 TB2517	12.00	12.40	12.75	2517	A3	2 1/2	—	1 3/4	3/4	28.0
3 B 154 TB2517	15.00	15.40	15.75	2517	A3	2 1/2	—	1 3/4	3/4	30.0
3 B 184 TB2517	18.00	18.40	18.75	2517	A3	2 1/2	—	1 3/4	3/4	44.0
3 B 200 TB3020	19.60	20.00	20.35	3020	A3	3	—	2	1/2	58.0
3 B 250 TB3020	24.60	25.00	25.35	3020	A3	3	—	2	1/2	74.0
3 B 300 TB3020	29.60	30.00	30.35	3020	A3	3	—	2	1/2	84.0
3 B 380 TB3030	37.60	38.00	38.35	3030	B3	3	—	3	1/2	135

**T_{aper}
B_{ore}** V-pulleys

A/B-C-D

Cast Iron Sheaves

BTL



A/B-4

F=3 1/4" (82.55mm)

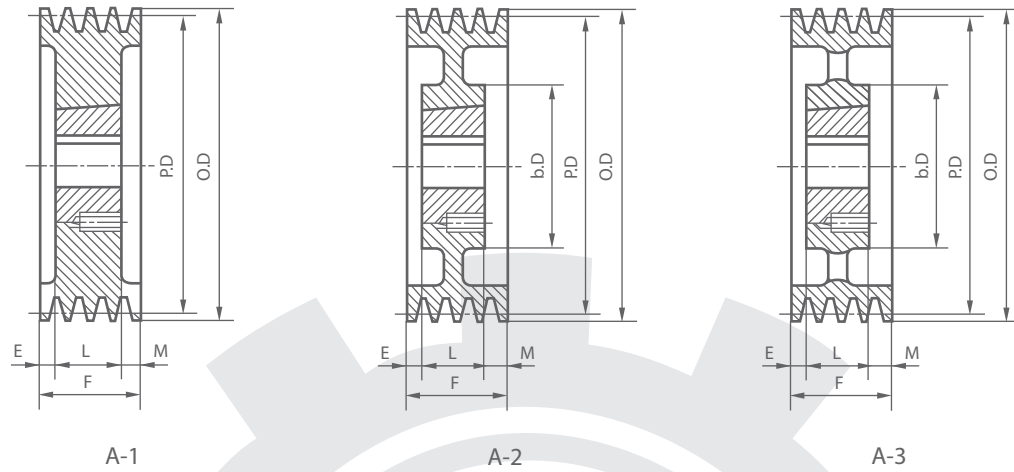
SHEAVE	P.D		O.D	Bush	Bush Max. Bore	TYPE	E	bD	L	WT LESS Bush	
	A Belt	B Belt									
4 B 34 TB1210	3.00	3.40	3.75	1210	A1	1 1/4	2 1/4	—	1	—	3.0
4 B 36 TB1210	3.20	3.60	3.95	1210	A1	1 1/4	2 1/4	—	1	—	3.5
4 B 38 TB1610	3.40	3.80	4.15	1610	A1	1 5/8	2 1/4	—	1	—	4.0
4 B 40 TB1610	3.60	4.00	4.35	1610	A1	1 5/8	2 1/4	—	1	—	4.5
4 B 42 TB1610	3.80	4.20	4.55	1610	A1	1 5/8	2 1/4	—	1	—	5.5
4 B 44 TB1610	4.00	4.40	4.75	1610	A1	1 5/8	2 1/4	—	1	—	6.0
4 B 46 TB1610	4.20	4.60	4.95	1610	A1	1 5/8	2 1/4	—	1	—	7.0
4 B 48 TB1610	4.40	4.80	5.15	1610	A1	1 5/8	2 1/4	—	1	—	8.0
4 B 50 TB2517	4.60	5.00	5.35	2517	A1	2 1/2	1 1/2	—	1 3/4	—	8.5
4 B 52 TB2517	4.80	5.20	5.55	2517	A1	2 1/2	1 1/2	—	1 3/4	—	9.0
4 B 54 TB2517	5.00	5.40	5.75	2517	A1	2 1/2	1 1/2	—	1 3/4	—	9.5
4 B 56 TB2517	5.20	5.60	5.95	2517	A1	2 1/2	1 1/2	—	1 3/4	—	10.0
4 B 58 TB2517	5.40	5.80	6.15	2517	A1	2 1/2	1 1/2	—	1 3/4	—	12.0
4 B 60 TB2517	5.60	6.00	6.35	2517	A1	2 1/2	1 1/2	—	1 3/4	—	12.5
4 B 62 TB2517	5.80	6.20	6.55	2517	A1	2 1/2	1 1/2	—	1 3/4	—	13.0
4 B 64 TB2517	6.00	6.40	6.75	2517	A1	2 1/2	1 1/2	—	1 3/4	—	14.0
4 B 66 TB2517	6.20	6.60	6.95	2517	A1	2 1/2	1 1/2	—	1 3/4	—	15.0
4 B 68 TB2517	6.40	6.80	7.15	2517	A1	2 1/2	1 1/2	—	1 3/4	—	16.0
4 B 74 TB2517	7.00	7.40	7.75	2517	A1	2 1/2	1 1/2	—	1 3/4	—	20.0
4 B 86 TB2517	8.20	8.60	8.95	2517	A2	2 1/2	1 1/2	4 3/4	1 3/4	—	21.0
4 B 94 TB2517	9.00	9.40	9.75	2517	A2	2 1/2	1 1/2	4 3/4	1 3/4	—	23.0
4 B 110 TB2517	10.60	11.00	11.35	2517	A2	2 1/2	1 1/2	4 3/4	1 3/4	—	28.0
4 B 124 TB2517	12.00	12.40	12.75	2517	A3	2 1/2	3/8	4 3/4	1 3/4	1 1/8	34.0
4 B 154 TB2517	15.00	15.40	15.75	2517	A3	2 1/2	3/8	4 3/4	1 3/4	1 1/8	42.0
4 B 184 TB2517	18.00	18.40	18.75	2517	A3	2 1/2	1/2	4 3/4	1 3/4	1	53.0
4 B 200 TB3020	19.60	20.00	20.35	3020	A3	3	1/2	5 11/16	2	3/4	66.0
4 B 250 TB3030	24.60	25.00	25.35	3030	A3	3	—	5 11/16	3	1/4	80.0
4 B 300 TB3030	29.60	30.00	30.35	3030	A3	3	—	5 11/16	3	1/4	100
4 B 380 TB3030	37.60	38.00	38.35	3030	A3	3	—	5 11/16	3	1/4	142

BTL-Bushing Standard Bore

Bushing	Bore Range	
	Min	Max
1210	1/2	1 1/4
1610,1615	1/2	1 5/8
2517	1/2	2 1/2
3020,3030	7/8	3"

Standard Keyseats

Bore Range	Keyseat	Bore Range	Keyseat
1/2-9/16	1/8x1/16	17/16-13/4	3/8x3/16
5/8-7/8	3/16x3/32	113/16-21/4	1/2x1/4
15/16-11/4	1/4x1/8	25/16-23/4	5/8x5/16
15/16-13/8	5/16x5/32	213/16-31/4	3/4x3/8



A/B-5

F=4" (101.60mm)

SHEAVE	P.D		O.D	Bush	Bush Max. Bore	TYPE	E	Db	L	WT LE99 Bush	
	A Belt	B Belt									
5 B 34 TB1215	3.00	3.40	3.75	1215	A1	1 1/4	2 1/2	—	1 1/2	—	5.0
5 B 36 TB1215	3.20	3.60	3.95	1215	A1	1 1/4	2 1/2	—	1 1/2	—	5.5
5 B 38 TB1615	3.40	3.80	4.15	1615	A1	1 5/8	2 1/2	—	1 1/2	—	6.0
5 B 40 TB1615	3.60	4.00	4.35	1615	A1	1 5/8	2 1/2	—	1 1/2	—	6.5
5 B 42 TB1615	3.80	4.20	4.55	1615	A1	1 5/8	2 1/2	—	1 1/2	—	7.0
5 B 44 TB1615	4.00	4.40	4.75	1615	A1	1 5/8	2 1/2	—	1 1/2	—	8.0
5 B 46 TB1615	4.20	4.60	4.95	1615	A1	1 5/8	2 1/2	—	1 1/2	—	9.0
5 B 50 TB2517	4.60	5.00	5.35	2517	A1	2 1/2	2 1/4	—	1 3/4	—	10.5
5 B 52 TB2517	4.80	5.20	5.55	2517	A1	2 1/2	2 1/4	—	1 3/4	—	11.3
5 B 54 TB2517	5.00	5.40	5.75	2517	A1	2 1/2	2 1/4	—	1 3/4	—	11.5
5 B 56 TB2517	5.20	5.60	5.95	2517	A1	2 1/2	2 1/4	—	1 3/4	—	12.0
5 B 60 TB2517	5.60	6.00	6.35	2517	A1	2 1/2	2 1/4	—	1 3/4	—	14.0
5 B 64 TB2517	6.00	6.40	6.75	2517	A1	2 1/2	2 1/4	—	1 3/4	—	16.0
5 B 68 TB2517	6.40	6.80	7.15	2517	A1	2 1/2	2 1/4	—	1 3/4	—	18.0
5 B 74 TB2517	7.00	7.40	7.75	2517	A1	2 1/2	2 1/4	—	1 3/4	—	22.0
5 B 86 TB2517	8.20	8.60	8.95	2517	A2	2 1/2	2 1/4	4 3/4	1 3/4	—	24.0
5 B 94 TB2517	9.00	9.40	9.75	2517	A2	2 1/2	2 1/4	4 3/4	1 3/4	—	26.0
5 B 110 TB2517	10.60	11.00	11.35	2517	A2	2 1/2	2 1/4	4 3/4	1 3/4	—	35.0
5 B 124 TB2517	12.00	12.40	12.75	2517	A3	2 1/2	3/4	4 3/4	1 3/4	1 1/2	40.0
5 B 154 TB2517	15.00	15.40	15.75	2517	A3	2 1/2	3/4	4 3/4	1 3/4	1 1/2	47.0
5 B 184 TB2517	18.00	18.40	18.75	2517	A3	2 1/2	3/4	4 3/4	1 3/4	1 1/2	52.0
5 B 200 TB3030	19.60	20.00	20.35	3030	A3	3	1/4	5 11/16	3	3/4	75.0
5 B 250 TB3030	24.60	25.00	25.35	3030	A3	3	1/4	5 11/16	3	3/4	81.0
5 B 300 TB3030	29.60	30.00	30.35	3030	A3	3	1/4	5 11/16	3	3/4	109
5 B 380 TB3030	37.60	38.00	38.35	3030	A3	3	1/4	5 11/16	3	3/4	158

BTL-Bushing Standard Bore

Bushing	Bore Range	
	Min	Max
1210	1/2	1 1/4
1610,1615	1/2	1 5/8
2517	1/2	2 1/2
3020,3030	7/8	3"

Standard Keyseats

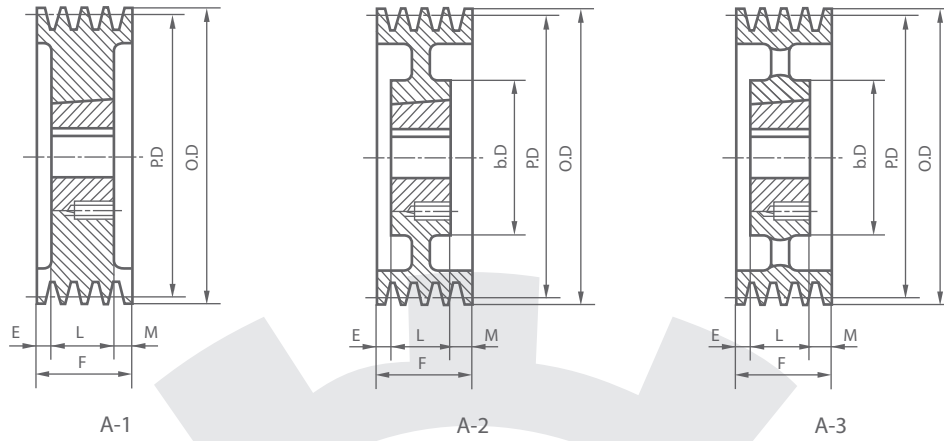
Bore Range	Keyseat	Bore Range	Keyseat
1/2-9/16	1/8x1/16	17/16-13/4	3/8x3/16
5/8-7/8	3/16x3/32	113/16-21/4	1/2x1/4
15/16-11/4	1/4x1/8	25/16-23/4	5/8x5/16
15/16-13/8	5/16x5/32	213/16-31/4	3/4x3/8

**T_{aper}
B_{ore}** V-pulleys

A/B-C-D

Cast Iron Sheaves

BTL



A/B-6

F=4 3/4" (120.65mm)

SHEAVE	P.D		O.D	Bush	Bush Max. Bore	TYPE	E	Db	L	WT LESS Bush	
	A Belt	B Belt									
6 B 42 TB1615	3.80	4.20	4.55	1615	A1	15/8	3 1/4	—	1 1/2	—	8.0
6 B 44 TB1615	4.00	4.40	4.75	1615	A1	15/8	3 1/4	—	1 1/2	—	9.0
6 B 46 TB1615	4.20	4.60	4.95	1615	A1	15/8	3 1/4	—	1 1/2	—	10.0
6 B 50 TB2517	4.60	5.00	5.35	2517	A1	2 1/2	3	—	1 3/4	—	11.9
6 B 52 TB2517	4.80	5.20	5.55	2517	A1	2 1/2	3	—	1 3/4	—	12.8
6 B 54 TB2517	5.00	5.40	5.75	2517	A1	2 1/2	3	—	1 3/4	—	13.7
6 B 56 TB2517	5.20	5.60	5.95	2517	A1	2 1/2	3	—	1 3/4	—	14.6
6 B 60 TB2517	5.60	6.00	6.35	2517	A1	2 1/2	3	—	1 3/4	—	16.0
6 B 64 TB2517	6.00	6.40	6.75	2517	A1	2 1/2	3	—	1 3/4	—	19.5
6 B 68 TB2517	6.40	6.80	7.15	2517	A1	2 1/2	3	—	1 3/4	—	21.0
6 B 74 TB2517	7.00	7.40	7.75	2517	A1	2 1/2	3	—	1 3/4	—	25.0
6 B 86 TB2517	8.20	8.60	8.95	2517	A2	2 1/2	3	4 3/4	1 3/4	—	27.0
6 B 94 TB2517	9.00	9.40	9.75	2517	A2	2 1/2	3	4 3/4	1 3/4	—	28.0
6 B 110 TB2517	10.60	11.00	11.35	2517	A2	2 1/2	3	4 3/4	1 3/4	—	34.0
6 B 124 TB2517	12.00	12.40	12.75	2517	A3	2 1/2	1 1/8	4 3/4	1 3/4	1 7/8	43.0
6 B 154 TB2517	15.00	15.40	15.75	2517	A3	2 1/2	1 1/2	4 3/4	1 3/4	1 1/2	52.0
6 B 184 TB2517	18.00	18.40	18.75	2517	A3	2 1/2	1 1/2	4 3/4	1 3/4	1 1/2	62.0
6 B 200 TB3030	19.60	20.00	20.35	3030	A3	3	1/2	5 11/16	3	1 1/4	85.0
6 B 250 TB3030	24.60	25.00	25.35	3030	A3	3	1/2	5 11/16	3	1 1/4	100
6 B 300 TB3030	29.60	30.00	30.35	3030	A3	3	1/2	5 11/16	3	1 1/4	137
6 B 380 TB3030	37.60	38.00	38.35	3030	A3	3	1/2	5 11/16	3	1 1/4	168

BTL-Bushing Standard Bore

Bushing	Bore Range	
	Min	Max
1615	1/2	1 5/8
2517	1/2	2 1/2
3030	7/8	3"

Standard Keyseats

Bore Range	Keyseat	Bore Range	Keyseat
1/2-9/16	1/8x1/16	1 7/16-1 3/4	3/8x3/16
5/8-7/8	3/16x3/32	1 13/16-2 1/4	1/2x1/4
15/16-1 1/4	1/4x1/8	2 5/16-2 3/4	5/8x5/16
15/16-1 3/8	5/16x5/32	2 13/16-3 1/4	3/4x3/8

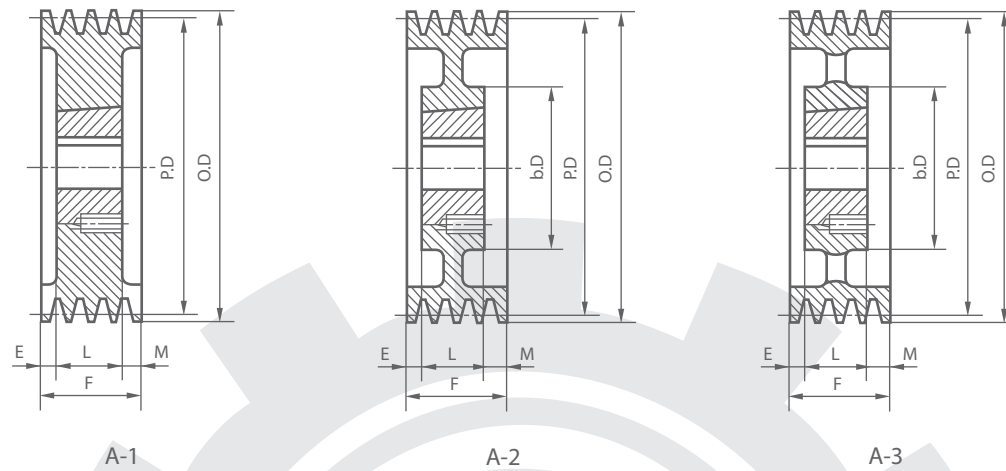


**T_{aper}
B_{ore}** V-pulleys

A/B-C-D

Cast Iron Sheaves

BTL



A/B-8

F=6 1/4" (158.75mm)

SHEAVE	P.D.		O.D.	Bush	Bush Max. Bore	TYPE	E	bD	L	WT LESS Bush	
	A Belte	B Belte									
8 B 54 TB2517	5.00	5.40	5.75	2517	A1	2 1/2	17/8	—	13/4	25/8	16
8 B 56 TB2517	5.20	5.60	5.95	2517	A1	2 1/2	17/8	—	13/4	25/8	17
8 B 60 TB2517	5.60	6.00	6.35	2517	A1	2 1/2	17/8	—	13/4	25/8	19
8 B 64 TB2517	6.00	6.40	6.75	2517	A1	2 1/2	17/8	—	13/4	25/8	21
8 B 68 TB2517	6.40	6.80	7.15	2517	A1	2 1/2	17/8	—	13/4	25/8	25
8 B 74 TB2517	7.00	7.40	7.75	2517	A1	2 1/2	17/8	—	13/4	25/8	29
8 B 86 TB3030	8.20	8.60	8.95	3030	A1	3	1	—	3	2 1/4	37
8 B 94 TB3030	9.00	9.40	9.75	3030	A2	3	1	5 11/16	3	2 1/4	41
8 B 110 TB3030	10.60	11.00	11.35	3030	A2	3	1	5 11/16	3	2 1/4	51
8 B 124 TB3030	12.00	12.40	12.75	3030	A3	3	1	5 11/16	3	2 1/4	56
8 B 154 TB3030	15.00	15.40	15.75	3030	A3	3	1	5 11/16	3	2 1/4	69
8 B 184 TB3030	18.00	18.40	18.75	3030	A3	3	1	5 11/16	3	2 1/4	99
8 B 200 TB3030	19.60	20.00	20.35	3030	A3	3	1	5 11/16	3	2 1/4	115
8 B 250 TB3535	24.60	25.00	25.35	3535	A3	3 1/2	3/4	6 1/2	3 1/2	2	145
8 B 300 TB3535	29.60	30.00	30.35	3535	A3	3 1/2	3/4	6 1/2	3 1/2	2	170
8 B 380 TB4040	37.60	38.00	38.35	4040	A3	4	1 1/8	7 3/16	4	1 1/8	260

A/B-10

F=7 3/4" (196.85mm)

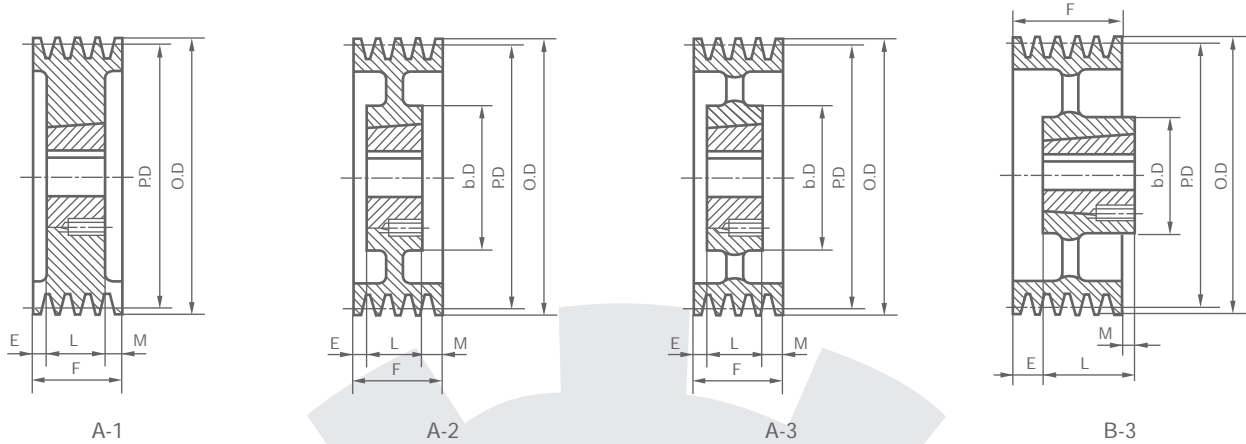
SHEAVE	P.D.		O.D.	Bush	Bush Max. Bore	TYPE	E	bD	L	WT LESS Bush	
	A Belte	B Belte									
10 B 54 TB2517	5.00	5.40	5.75	2517	A1	2 1/2	3	—	13/4	3	18
10 B 56 TB2517	5.20	5.60	5.95	2517	A1	2 1/2	3	—	13/4	3	20
10 B 60 TB2517	5.60	6.00	6.35	2517	A1	2 1/2	3	—	13/4	3	22
10 B 64 TB2517	6.00	6.40	6.75	2517	A1	2 1/2	3	—	13/4	3	25
10 B 68 TB2517	6.40	6.80	7.15	2517	A1	2 1/2	3	—	13/4	3	28
10 B 74 TB2517	7.00	7.40	7.75	2517	A1	2 1/2	3	—	13/4	3	35
10 B 86 TB3030	8.20	8.60	8.95	3030	A1	3	2	—	3	2 3/4	43
10 B 94 TB3030	9.00	9.40	9.75	3030	A2	3	2	5 11/16	3	2 3/4	46
10 B 110 TB3030	10.60	11.00	11.35	3030	A2	3	2	5 11/16	3	2 3/4	52

**T_{aper}
B_{ore}** V-pulleys

A/B-C-D

Cast Iron Sheaves

BTL



C-2

F = 2 3/8" (60.33mm)

SHEAVE	P.D	O.D	BUSH Max Bore	BUSH	TYPE	bD	E	L	M	WT LESS BUSH
2 C 70 TB2517	7.00	7.40	2 1/2	2517	A1	—	5/8	1 3/4	—	15
2 C 75 TB2517	7.50	7.90	2 1/2	2517	A1	—	5/8	1 3/4	—	17
2 C 80 TB2517	8.00	8.40	2 1/2	2517	A1	—	5/8	1 3/4	—	20
2 C 85 TB2517	8.50	8.90	2 1/2	2517	A2	4 3/4	5/8	1 3/4	—	22
2 C 90 TB2517	9.00	9.40	2 1/2	2517	A2	4 3/4	5/8	1 3/4	—	23
2 C 95 TB2517	9.50	9.90	2 1/2	2517	A2	4 3/4	5/8	1 3/4	—	24
2 C 100 TB2517	10.00	10.40	2 1/2	2517	A2	4 3/4	5/8	1 3/4	—	25
2 C 105 TB2517	10.50	10.90	2 1/2	2517	A2	4 3/4	5/8	1 3/4	—	26
2 C 110 TB2517	11.00	11.40	2 1/2	2517	A2	4 3/4	5/8	1 3/4	—	27
2 C 120 TB2517	12.00	12.40	2 1/2	2517	A2	4 3/4	5/8	1 3/4	—	33
2 C 130 TB2517	13.00	13.40	2 1/2	2517	A3	4 3/4	5/8	1 3/4	—	35
2 C 140 TB2517	14.00	14.40	2 1/2	2517	A3	4 3/4	5/8	1 3/4	—	36
2 C 160 TB2517	16.00	16.40	2 1/2	2517	A3	4 3/4	5/8	1 3/4	—	42
2 C 180 TB3020	18.00	18.40	3	3020	A3	5 11/16	—	2	3/8	43
2 C 200 TB3020	20.00	20.40	3	3020	A3	5 11/16	—	2	3/8	45
2 C 240 TB3020	24.00	24.40	3	3020	A3	5 11/16	—	2	3/8	72

C-3

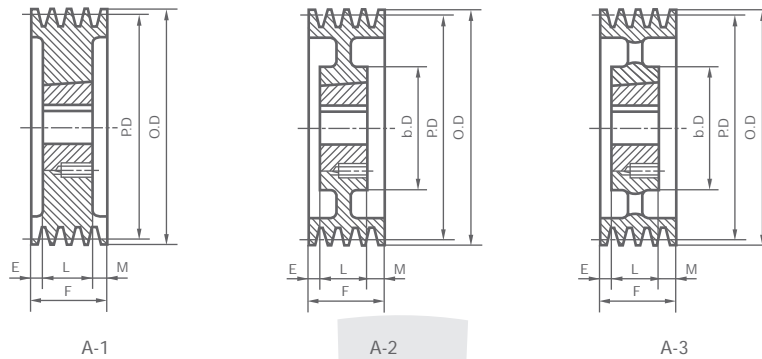
F = 3 3/8" (85.73mm)

SHEAVE	P.D	O.D	BUSH Max Bore	BUSH	TYPE	bD	E	L	M	WT LESS BUSH
3 C 70 TB2517	7.00	7.40	2 1/2	2517	A1	—	1/4	1 3/4	1 3/8	18.0
3 C 75 TB2517	7.50	7.90	2 1/2	2517	A1	—	1/4	1 3/4	1 3/8	20.0
3 C 80 TB2517	8.00	8.40	2 1/2	2517	A1	—	1/4	1 3/4	1 3/8	22.0
3 C 85 TB2517	8.50	8.90	2 1/2	2517	A2	4 3/4	1/4	1 3/4	1 3/8	23.0
3 C 90 TB2517	9.00	9.40	2 1/2	2517	A2	4 3/4	1/4	1 3/4	1 3/8	24.0
3 C 95 TB2517	9.50	9.90	2 1/2	2517	A2	4 3/4	1/4	1 3/4	1 3/8	27.0
3 C 100 TB2517	10.00	10.40	2 1/2	2517	A2	4 3/4	1/4	1 3/4	1 3/8	29.0
3 C 105 TB2517	10.50	10.90	2 1/2	2517	A2	4 3/4	1/4	1 3/4	1 3/8	32.0
3 C 110 TB2517	11.00	11.40	2 1/2	2517	A2	4 3/4	1/4	1 3/4	1 3/8	35.0
3 C 120 TB3020	12.00	12.40	3	3020	A2	5 11/16	—	2	1 3/8	44.0
3 C 130 TB3020	13.00	13.40	3	3020	A3	5 11/16	—	2	1 3/8	49.0
3 C 140 TB3020	14.00	14.40	3	3020	A3	5 11/16	—	2	1 3/8	50.0
3 C 160 TB3020	16.00	16.40	3	3020	A3	5 11/16	—	2	1 3/8	64.0
3 C 180 TB3030	18.00	18.40	3	3030	A3	5 11/16	—	3	3/8	70.0
3 C 200 TB3030	20.00	20.40	3	3030	A3	5 11/16	—	3	3/8	78.0
3 C 240 TB3030	24.00	24.40	3	3030	A3	5 11/16	—	3	3/8	96.0
3 C 300 TB3535	30.00	30.40	3 1/2	3535	B3	6 1/2	—	3 1/2	1/8	125.0
3 C 360 TB3535	36.00	36.40	3 1/2	3535	B3	6 1/2	—	3 1/2	1/8	175.0

**T_{aper}
B_{ore}** **V-pulleys**
Cast Iron Sheaves

A/B-C-D

BTL



C-4

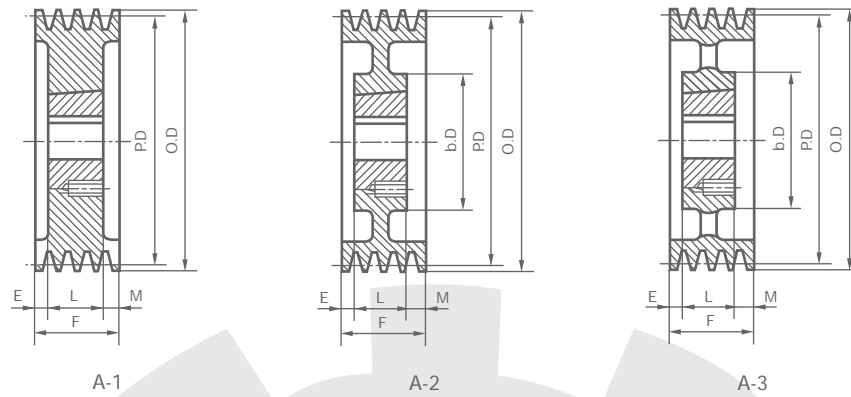
F = 4 3/8" (111.13mm)

SHEAVE	P.D	O.D	BUSH Max Bore	BUSH	TYPE	Db	E	L	M	WT LESS BUSH
4 C 70 TB2517	7.00	7.40	2 1/2	2517	A1	—	1/2	1 3/4	2 1/8	20
4 C 75 TB2517	7.50	7.90	2 1/2	2517	A1	—	1/2	1 3/4	2 1/8	23
4 C 80 TB2517	8.00	8.40	2 1/2	2517	A1	—	1/2	1 3/4	2 1/8	25
4 C 85 TB2517	8.50	8.90	2 1/2	2517	A2	4 3/4	1/2	1 3/4	2 1/8	26
4 C 90 TB2517	9.00	9.40	2 1/2	2517	A2	4 3/4	1/2	1 3/4	2 1/8	27
4 C 95 TB2517	9.50	9.90	2 1/2	2517	A2	4 3/4	1/2	1 3/4	2 1/8	36
4 C 100 TB2517	10.00	10.40	2 1/2	2517	A2	4 3/4	1/2	1 3/4	2 1/8	39
4 C 105 TB2517	10.50	10.90	2 1/2	2517	A2	4 3/4	1/2	1 3/4	2 1/8	42
4 C 110 TB2517	11.00	11.40	2 1/2	2517	A2	4 3/4	1/2	1 3/4	2 1/8	45
4 C 120 TB2517	12.00	12.40	2 1/2	2517	A2	4 3/4	1/2	1 3/4	2 1/8	47
4 C 130 TB3030	13.00	13.40	3	3030	A3	5 11/16	—	3	1 3/8	51
4 C 140 TB3030	14.00	14.40	3	3030	A3	5 11/16	—	3	1 3/8	54
4 C 160 TB3030	16.00	16.40	3	3030	A3	5 11/16	—	3	1 3/8	71
4 C 180 TB3030	18.00	18.40	3	3030	A3	5 11/16	—	3	1 3/8	81
4 C 200 TB3030	20.00	20.40	3	3030	A3	5 11/16	—	3	1 3/8	94
4 C 240 TB3030	24.00	24.40	3	3030	A3	5 11/16	—	3	1 3/8	116
4 C 300 TB3535	30.00	30.40	3 1/2	3535	A3	6 1/2	—	3 1/2	7/8	164
4 C 360 TB3535	36.00	36.40	3 1/2	3535	A3	6 1/2	—	3 1/2	7/8	192
4 C 440 TB4040	44.00	44.40	4	4040	A3	7 3/16	—	4	3/8	282

C-5

F = 5 3/8" (136.53mm)

SHEAVE	P.D	O.D	BUSH Max Bore	BUSH	TYPE	Db	E	L	M	WT LESS BUSH
5 C 70 TB2517	7.00	7.40	2 1/2	2517	A1	—	1 1/2	1 3/4	2 1/8	23
5 C 75 TB2517	7.50	7.90	2 1/2	2517	A1	—	1 1/2	1 3/4	2 1/8	26
5 C 80 TB2517	8.00	8.40	2 1/2	2517	A1	—	1 1/2	1 3/4	2 1/8	30
5 C 85 TB2517	8.50	8.90	2 1/2	2517	A1	—	1 1/2	1 3/4	2 1/8	34
5 C 90 TB2517	9.00	9.40	2 1/2	2517	A2	4 3/4	1 1/2	1 3/4	2 1/8	35
5 C 95 TB2517	9.50	9.90	2 1/2	2517	A2	4 3/4	1 1/2	1 3/4	2 1/8	36
5 C 100 TB2517	10.00	10.40	2 1/2	2517	A2	4 3/4	1 1/2	1 3/4	2 1/8	39
5 C 105 TB2517	10.50	10.90	2 1/2	2517	A2	4 3/4	1 1/2	1 3/4	2 1/8	42
5 C 110 TB2517	11.00	11.40	2 1/2	2517	A2	4 3/4	1 1/2	1 3/4	2 1/8	43
5 C 120 TB3030	12.00	12.40	3	3030	A2	5 11/16	1/2	3	1 7/8	58
5 C 130 TB3030	13.00	13.40	3	3030	A3	5 11/16	1/2	3	1 7/8	63
5 C 140 TB3030	14.00	14.40	3	3030	A3	5 11/16	1/2	3	1 7/8	65
5 C 160 TB3030	16.00	16.40	3	3030	A3	5 11/16	1/2	3	1 7/8	70
5 C 180 TB3030	18.00	18.40	3	3030	A3	5 11/16	1/2	3	1 7/8	83
5 C 200 TB3535	20.00	20.40	3 1/2	3535	A3	6 1/2	—	3 1/2	1 7/8	110
5 C 240 TB3535	24.00	24.40	3 1/2	3535	A3	6 1/2	—	3 1/2	1 7/8	138
5 C 300 TB3535	30.00	30.40	3 1/2	3535	A3	6 1/2	—	3 1/2	1 7/8	176
5 C 360 TB4040	36.00	36.40	4	4040	A3	7 3/16	1/4	4	1 1/8	244
5 C 440 TB4040	44.00	44.40	4	4040	A3	7 3/16	1/4	4	1 1/8	288



C-6

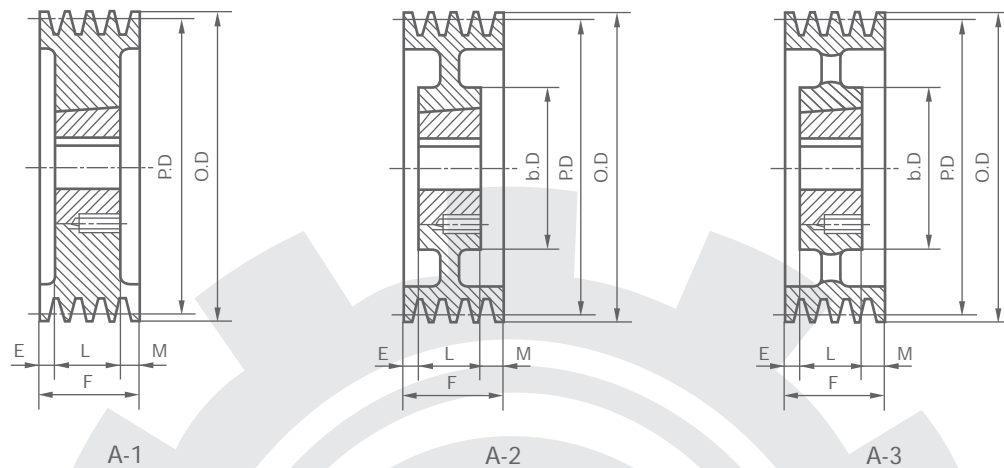
F = 6 3/8" (161.93mm)

SHEAVE	P.D	O.D	BUSH Max Bore	BUSH	TYPE	bD	E	L	M	WT LESS BUSH
6 C 70 TB3030	7.00	7.40	3	3030	A1	—	1	3	23/8	30
6 C 75 TB3030	7.50	7.90	3	3030	A1	—	1	3	23/8	31
6 C 80 TB3030	8.00	8.40	3	3030	A1	—	1	3	23/8	35
6 C 85 TB3030	8.50	8.90	3	3030	A1	—	1	3	23/8	40
6 C 90 TB3030	9.00	9.40	3	3030	A1	—	1	3	23/8	47
6 C 95 TB3030	9.50	9.90	3	3030	A1	—	1	3	23/8	53
6 C 100 TB3030	10.00	10.40	3	3030	A1	—	1	3	23/8	57
6 C 105 TB3030	10.50	10.90	3	3030	A2	511/16	1	3	23/8	58
6 C 110 TB3030	11.00	11.40	3	3030	A2	511/16	1	3	23/8	66
6 C 120 TB3030	12.00	12.40	3	3030	A2	511/16	1	3	23/8	70
6 C 130 TB3030	13.00	13.40	3	3030	A3	511/16	1	3	23/8	75
6 C 140 TB3535	14.00	14.40	3 1/2	3535	A3	511/16	1/2	3 1/2	23/8	80
6 C 160 TB3535	16.00	16.40	3 1/2	3535	A3	6 1/2	1/2	3 1/2	23/8	87
6 C 180 TB3535	18.00	18.40	3 1/2	3535	A3	6 1/2	1/2	3 1/2	23/8	102
6 C 200 TB3535	20.00	20.40	3 1/2	3535	A3	6 1/2	1/2	3 1/2	23/8	126
6 C 240 TB3535	24.00	24.40	3 1/2	3535	A3	6 1/2	1/2	3 1/2	23/8	150
6 C 300 TB4040	30.00	30.40	4	4040	A3	7 3/16	1	4	13/8	226
6 C 360 TB4040	36.00	36.40	4	4040	A3	7 3/16	1	4	13/8	270
6 C 440 TB4040	44.00	44.40	4	4040	A3	7 3/16	1	4	13/8	320

C-8

F = 8 3/8" (212.73mm)

SHEAVE	P.D	O.D	BUSH Max Bore	BUSH	TYPE	bD	E	L	M	WT LESS BUSH
8 C 80 TB3030	8.00	8.40	3	3030	A1	—	2	3	33/8	45
8 C 85 TB3030	8.50	8.90	3	3030	A1	—	2	3	33/8	47
8 C 90 TB3535	9.00	9.40	3 1/2	3535	A1	—	1 1/2	3 1/2	33/8	64
8 C 95 TB3535	9.50	9.90	3 1/2	3535	A1	—	1 1/2	3 1/2	33/8	67
8 C 100 TB3535	10.00	10.40	3 1/2	3535	A1	—	1 1/2	3 1/2	33/8	70
8 C 105 TB3535	10.50	10.90	3 1/2	3535	A1	—	1 1/2	3 1/2	33/8	84
8 C 110 TB3535	11.00	11.40	3 1/2	3535	A1	—	1 1/2	3 1/2	33/8	87
8 C 120 TB3535	12.00	12.40	3 1/2	3535	A2	6 1/2	1 1/2	3 1/2	33/8	90
8 C 130 TB3535	13.00	13.40	3 1/2	3535	A2	6 1/2	1 1/2	3 1/2	33/8	97
8 C 140 TB3535	14.00	14.40	3 1/2	3535	A2	6 1/2	1 1/2	3 1/2	33/8	105
8 C 160 TB3535	16.00	16.40	3 1/2	3535	A3	6 1/2	1 1/2	3 1/2	33/8	115
8 C 180 TB4040	18.00	18.40	4	4040	A3	7 3/16	1 1/2	4	27/8	137
8 C 200 TB4040	20.00	20.40	4	4040	A3	7 3/16	1 1/2	4	27/8	180
8 C 240 TB4040	24.00	24.40	4	4040	A3	7 3/16	1 1/2	4	27/8	205
8 C 300 TB4040	30.00	30.40	4	4040	A3	7 3/16	1 1/2	4	27/8	263
8 C 360 TB4545	36.00	36.40	4 1/2	4545	A3	8 7/16	1 1/4	4 1/2	25/8	343
8 C 440 TB4545	44.00	44.40	4 1/2	4545	A3	8 7/16	1 1/4	4 1/2	25/8	432



C-10

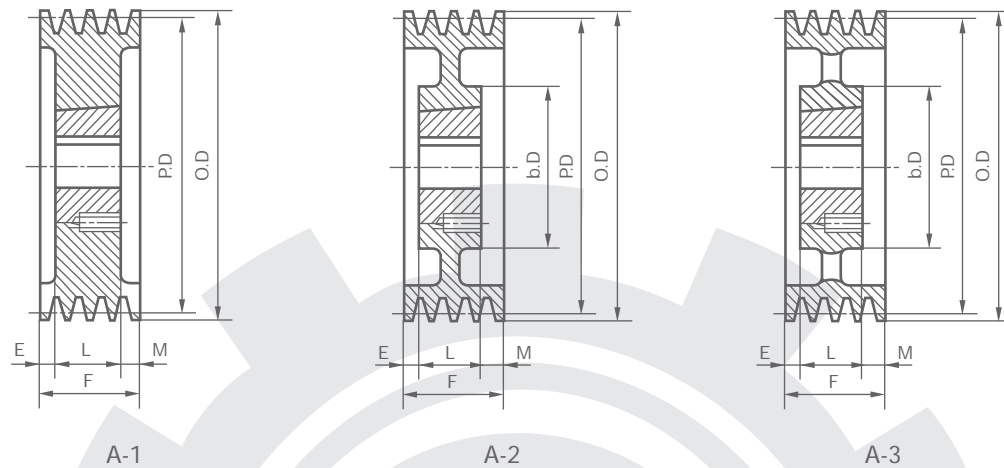
F = 10 3/8" (263.53mm)

SHEAVE	P.D	O.D	BUSH Max Bore	BUSH	TYPE	bD	E	L	M	WT LESS BUSH
10 C 90 TB4040	9.00	9.40	4	4040	A1	—	2	4	43/8	57
10 C 95 TB4040	9.50	9.90	4	4040	A1	—	2	4	43/8	66
10 C 100 TB4040	10.00	10.40	4	4040	A1	—	2	4	43/8	77
10 C 105 TB4040	10.50	10.90	4	4040	A1	—	2	4	43/8	87
10 C 110 TB4040	11.00	11.40	4	4040	A1	—	2	4	43/8	98
10 C 120 TB4040	12.00	12.40	4	4040	A1	—	2	4	43/8	121
10 C 130 TB4545	13.00	13.40	4 1/2	4545	A1	—	2	4 1/2	37/8	146
10 C 140 TB4545	14.00	14.40	4 1/2	4545	A2	—	2	4 1/2	37/8	173
10 C 160 TB4545	16.00	16.40	4 1/2	4545	A2	87/16	2	4 1/2	37/8	233
10 C 180 TB4545	18.00	18.40	4 1/2	4545	A2	87/16	2	4 1/2	37/8	276
10 C 200 TB4545	20.00	20.40	4 1/2	4545	A3	87/16	2	4 1/2	37/8	201
10 C 240 TB4545	24.00	24.40	4 1/2	4545	A3	87/16	2	4 1/2	37/8	243
10 C 300 TB4545	30.00	30.40	4 1/2	4545	A3	87/16	2	4 1/2	37/8	320
10 C 360 TB4545	36.00	36.40	4 1/2	4545	A3	87/16	2	4 1/2	37/8	464
10 C 440 TB4545	44.00	44.40	4 1/2	4545	A3	87/16	2	4 1/2	37/8	508

C-12

F = 12 3/8" (314.33mm)

SHEAVE	P.D	O.D	BUSH Max Bore	BUSH	TYPE	Db	E	L	M	WT LESS BUSH
12 C 90 TB4040	9.00	9.40	4	4040	A1	—	3 1/2	4	47/8	65
12 C 95 TB4040	9.50	9.90	4	4040	A1	—	3 1/2	4	47/8	75
12 C 100 TB4040	10.00	10.40	4	4040	A1	—	3 1/2	4	47/8	85
12 C 105 TB4040	10.50	10.90	4	4040	A1	—	3 1/2	4	47/8	95
12 C 110 TB4040	11.00	11.40	4	4040	A1	—	3 1/2	4	47/8	104
12 C 120 TB4040	12.00	12.40	4	4040	A1	—	3 1/2	4	47/8	126
12 C 130 TB4545	13.00	13.40	4 1/2	4545	A1	—	3	4 1/2	47/8	156
12 C 140 TB4545	14.00	14.40	4 1/2	4545	A1	—	3	4 1/2	47/8	184



D-4

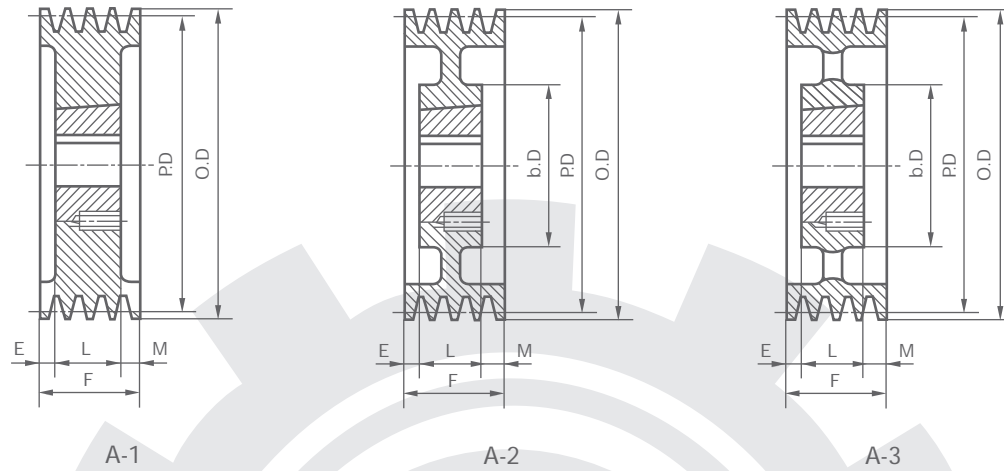
F = 6 1/16" (153.99mm)

SHEAVE	P.D	O.D	BUSH Max Bore	BUSH	TYPE	bD	E	L	M	WT LESS BUSH
4 D 120 TB3535	12.00	12.60	3 1/2	3535	A2	6 1/2	3/4	3 1/2	1 13/16	63
4 D 130 TB3535	13.00	13.60	3 1/2	3535	A2	6 1/2	3/4	3 1/2	1 13/16	73
4 D 135 TB3535	13.50	14.10	3 1/2	3535	A2	6 1/2	3/4	3 1/2	1 13/16	78
4 D 140 TB3535	14.00	14.60	3 1/2	3535	A2	6 1/2	3/4	3 1/2	1 13/16	83
4 D 145 TB3535	14.50	15.10	3 1/2	3535	A2	6 1/2	3/4	3 1/2	1 13/16	94
4 D 150 TB3535	15.00	15.60	3 1/2	3535	A2	6 1/2	3/4	3 1/2	1 13/16	97
4 D 155 TB3535	15.50	16.10	3 1/2	3535	A2	6 1/2	3/4	3 1/2	1 13/16	99
4 D 160 TB3535	16.00	16.60	3 1/2	3535	A2	6 1/2	3/4	3 1/2	1 13/16	104
4 D 180 TB3535	18.00	18.60	3 1/2	3535	A3	6 1/2	3/4	3 1/2	1 13/16	109
4 D 220 TB4040	22.00	22.60	4	4040	A3	7 3/16	3/4	1/4	1 5/16	142
4 D 270 TB4040	27.00	27.60	4	4040	A3	7 3/16	3/4	1/4	1 5/16	182

D-5

F = 7 1/2" (190.50mm)

SHEAVE	P.D	O.D	BUSH Max Bore	BUSH	TYPE	bD	E	L	M	WT LESS BUSH
5 D 120 TB4040	12.00	12.60	4	4040	A1	—	3/4	4	2 3/4	82
5 D 130 TB4040	13.00	13.60	4	4040	A2	7 3/16	3/4	4	2 3/4	87
5 D 135 TB4040	13.50	14.10	4	4040	A2	7 3/16	3/4	4	2 3/4	92
5 D 140 TB4040	14.00	14.60	4	4040	A2	7 3/16	3/4	4	2 3/4	97
5 D 145 TB4040	14.50	15.10	4	4040	A2	7 3/16	3/4	4	2 3/4	102
5 D 150 TB4040	15.00	15.60	4	4040	A2	7 3/16	3/4	4	2 3/4	107
5 D 155 TB4040	15.50	16.10	4	4040	A2	7 3/16	3/4	4	2 3/4	112
5 D 160 TB4040	16.00	16.60	4	4040	A2	7 3/16	3/4	4	2 3/4	122
5 D 180 TB4040	18.00	18.60	4	4040	A3	7 3/16	1	4	2 1/2	132
5 D 220 TB4040	22.00	22.60	4	4040	A3	7 3/16	1	4	2 1/2	162
5 D 270 TB4040	27.00	27.60	4	4040	A3	7 3/16	1	4	2 1/2	207



D-6

F = 8 15/16" (227.01mm)

SHEAVE	P.D	O.D	BUSH Max Bore	BUSH	TYPE	Db	E	L	M	WT LESS BUSH
6 D 120 TB4040	12.00	12.60	4	4040	A1	—	1	4	315/16	100
6 D 130 TB4040	13.00	13.60	4	4040	A2	73/16	1 1/2	4	37/16	105
6 D 135 TB4040	13.50	14.10	4	4040	A2	73/16	1 1/2	4	37/16	107
6 D 140 TB4040	14.00	14.60	4	4040	A2	73/16	1 1/2	4	37/16	112
6 D 145 TB4040	14.50	15.10	4	4040	A2	73/16	1 1/2	4	37/16	117
6 D 150 TB4040	15.00	15.60	4	4040	A2	73/16	1 1/2	4	37/16	122
6 D 155 TB4040	15.50	16.10	4	4040	A2	73/16	1 1/2	4	37/16	127
6 D 160 TB4040	16.00	16.60	4	4040	A2	73/16	1 1/2	4	37/16	175
6 D 180 TB4040	18.00	18.60	4	4040	A2	73/16	1 1/2	4	37/16	185
6 D 220 TB4040	22.00	22.60	4	4040	A3	73/16	1 1/2	4	37/16	210
6 D 270 TB4545	27.00	27.60	4 1/2	4545	A3	87/16	1 3/4	4 1/2	211/16	260
6 D 330 TB4545	33.00	33.60	4 1/2	4545	A3	87/16	1 3/4	4 1/2	211/16	340

D-8

F = 11 13/16" (300.04mm)

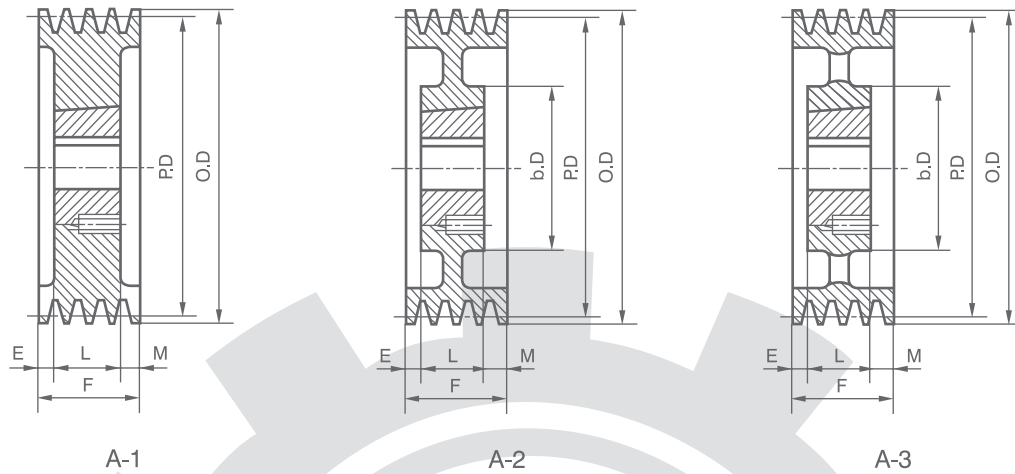
SHEAVE	P.D	O.D	BUSH Max Bore	BUSH	TYPE	Db	E	L	M	WT LESS BUSH
8 D 120 TB4545	12.00	12.60	4 1/2	4545	A1	—	1/2	4 1/2	613/16	125
8 D 130 TB4545	13.00	13.60	4 1/2	4545	A1	—	1/2	4 1/2	613/16	155
8 D 135 TB4545	13.50	14.10	4 1/2	4545	A2	87/16	1	4 1/2	65/16	150
8 D 140 TB4545	14.00	14.60	4 1/2	4545	A2	87/16	1	4 1/2	65/16	155
8 D 145 TB4545	14.50	15.10	4 1/2	4545	A2	87/16	2	4 1/2	55/16	162
8 D 150 TB4545	15.00	15.60	4 1/2	4545	A2	87/16	2	4 1/2	55/16	170
8 D 155 TB4545	15.50	16.10	4 1/2	4545	A2	87/16	2	4 1/2	55/16	182
8 D 160 TB4545	16.00	16.60	4 1/2	4545	A2	87/16	2	4 1/2	55/16	195
8 D 180 TB4545	18.00	18.60	4 1/2	4545	A2	87/16	2 3/4	4 1/2	49/16	220
8 D 220 TB4545	22.00	22.60	4 1/2	4545	A3	87/16	2 3/4	4 1/2	49/16	275
8 D 270 TB4545	27.00	27.60	4 1/2	4545	A3	87/16	2 3/4	4 1/2	49/16	345
8 D 330 TB4545	33.00	33.60	4 1/2	4545	A3	87/16	2 3/4	4 1/2	49/16	455

Taper Bore V-pulleys

A/B-C-D

Cast Iron Sheaves

BTL



D-10

F = 14 11/16" (373.06mm)

SHEAVE	PD	O.D	BUSH Max Bore	BUSH	TYPE	bD	E	L	M	WT LESS BUSH
10 D 120 TB4545	12.00	12.60	4 1/2	4545	A1	—	23/8	4 1/2	7 13/16	140
10 D 130 TB4545	13.00	13.60	4 1/2	4545	A1	—	23/8	4 1/2	7 13/16	170
10 D 135 TB4545	13.50	14.10	4 1/2	4545	A2	87/16	23/8	4 1/2	7 13/16	172
10 D 140 TB4545	14.00	14.60	4 1/2	4545	A2	87/16	23/8	4 1/2	7 13/16	175
10 D 145 TB4545	14.50	15.10	4 1/2	4545	A2	87/16	23/8	4 1/2	7 13/16	180
10 D 150 TB4545	15.00	15.60	4 1/2	4545	A2	87/16	23/8	4 1/2	7 13/16	185
10 D 155 TB4545	15.50	16.10	4 1/2	4545	A2	87/16	23/8	4 1/2	7 13/16	195
10 D 160 TB4545	16.00	16.60	4 1/2	4545	A2	87/16	23/8	4 1/2	7 13/16	260
10 D 180 TB4545	18.00	18.60	4 1/2	4545	A2	87/16	4	4 1/2	6 3/16	295
10 D 220 TB4545	22.00	22.60	4 1/2	4545	A3	87/16	4	4 1/2	6 3/16	340
10 D 270 TB4545	27.00	27.60	4 1/2	4545	A3	87/16	4	4 1/2	6 3/16	415
10 D 330 TB4545	33.00	33.60	4 1/2	4545	A3	87/16	4 1/4	4 1/2	5 15/16	485

BTL-Bushing Standard Bore



Bushing	Bore Range	
	Min	Max
2517	1/2	2 1/2
3030	15/16	3
3535	13/16	3 1/2
4040	17/16	4
4545	1 15/16	4 1/2

Standard Keyseats

Bore Range	Keyseat	Bore Range	Keyseat
1/2-9/16	1/8x1/16	1 13/16-2 1/4	1/2x1/4
5/8-7/8	3/16x3/32	2 5/16-2 3/4	5/8x5/16
15/16-1 1/4	1/4x1/8	2 13/16-3 1/4	3/4x3/8
1 15/16-1 3/8	5/16x5/32	3 3/8-3 3/4	7/8x7/16
1 7/16-1 3/4	3/8x3/16	3 7/8-4 1/2	1x1/2

**T_{aper}
B_{ore}** *V-pulleys*

A/B-C-D

Cast Iron Sheaves

QTL

NSPT A/B-C-D series of pulleys for QTL bushes are comprehensive with good quality. Each item is made under surveillance of consummate quality assurance system. NSPT products are the best choice of continuing the great achievements in power transmission mechanisms.



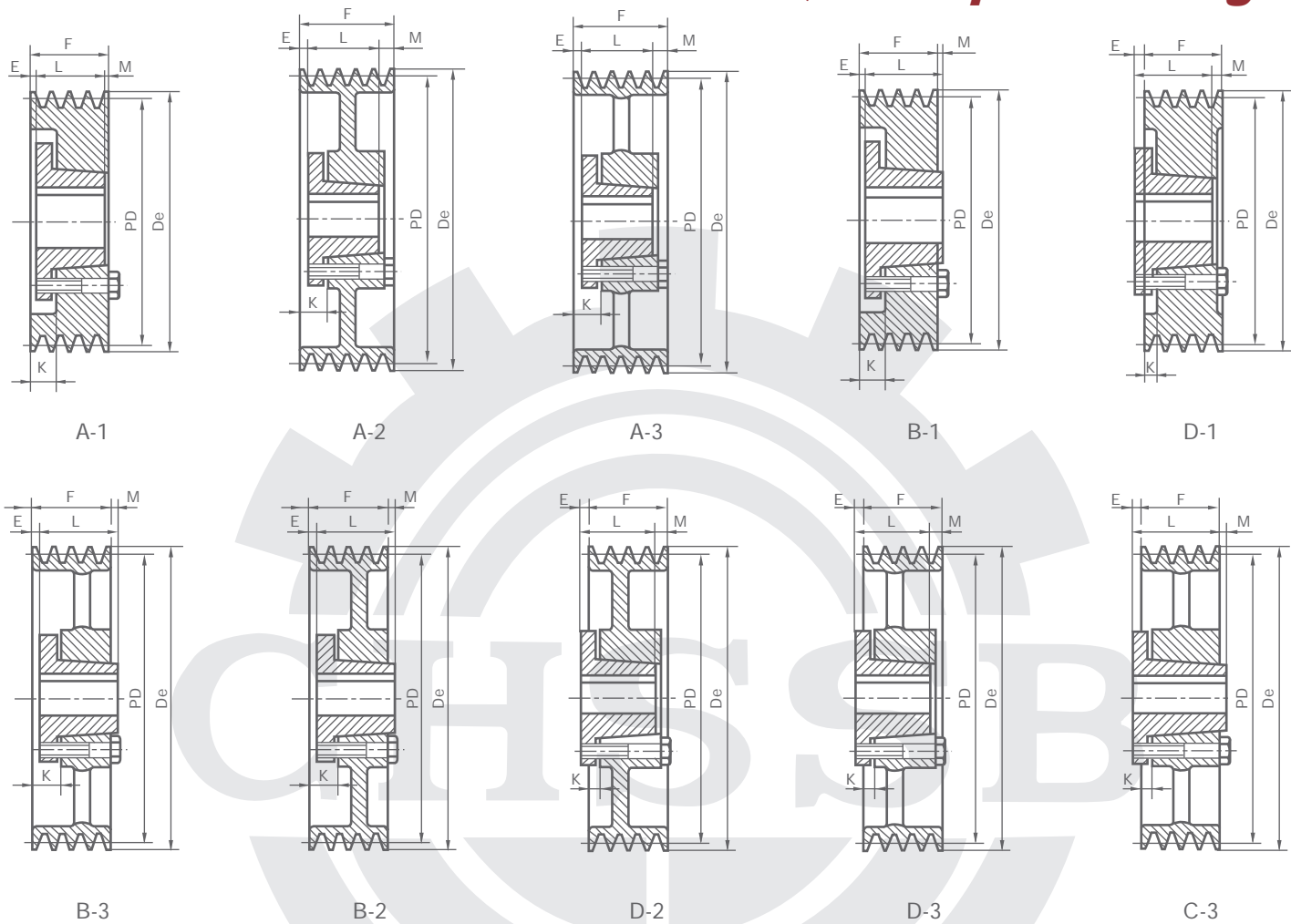
A/B-C-D QTL taper bore pulleys:

- GG25 high performance cast iron
- Fine CNC machining
- Balance precision Q6.3
- In-stock Item for fast delivery



Cast Iron Sheaves

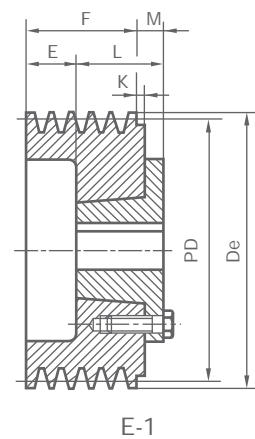
QTL Taper bushing



**EXPRESSIONS OF TYPES FOR TAPER-LOCK SHEAVES
FOR STANDARD NARROW V BELT**

2 B 34 SH

- Types of Taper Lock Bushings
- Outer Dia. of Sheaves (inches x 10)
- Types for V Gripbelt
- Groove

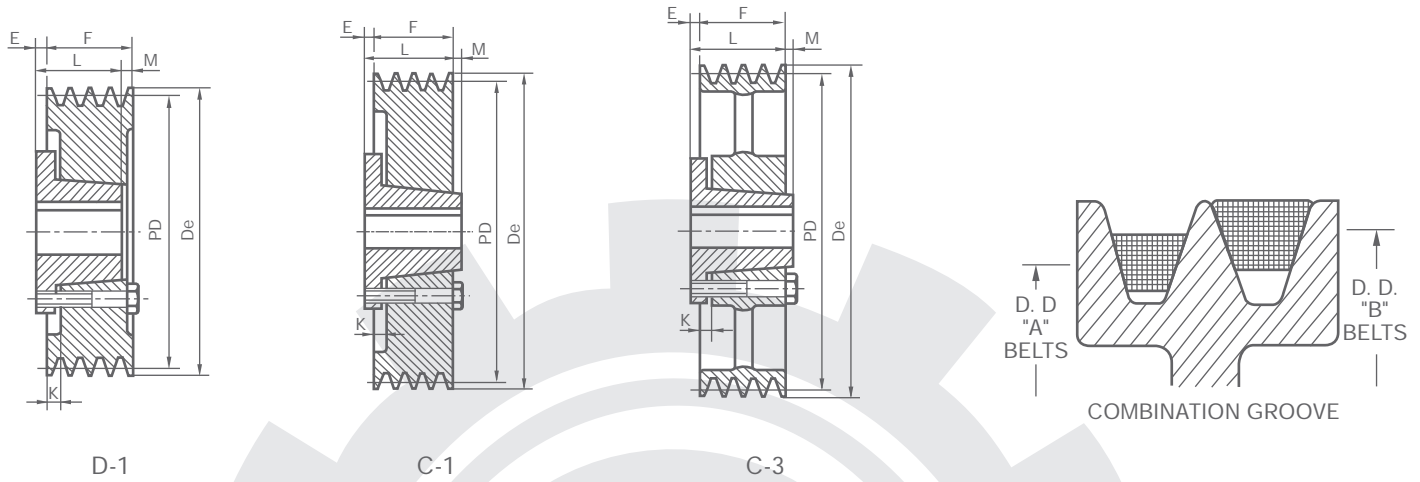


T_B^{aper} **V-pulleys**

Cast Iron Sheaves

A/B-C-D

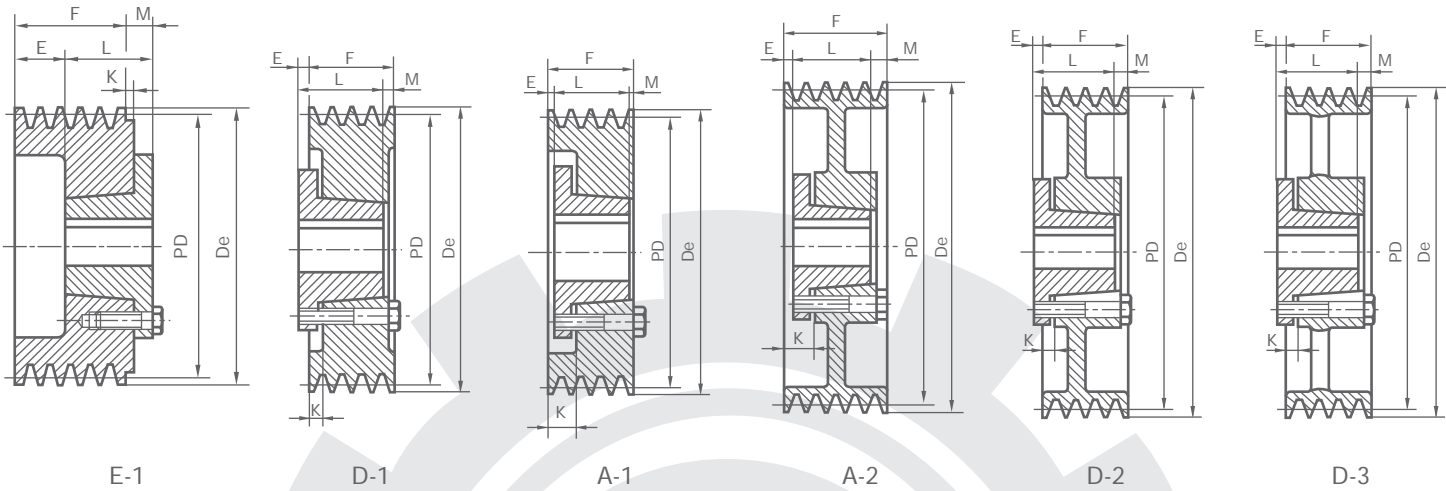
QTL



A/B-1

F = 1" (25.40mm)

SHEAVE	P.D		O.D	Bush	TYPE	Bush Max. Bore	E	K	L	M	WT LESS Bush
	A Belte	B Belte									
1 B 34 SH	3.00	3.40	3.75	SH	D1	1 11/16	9/16	—	15/16	1/8	1.2
1 B 36 SH	3.20	3.60	3.95	SH	D1	1 11/16	9/16	—	15/16	1/8	1.3
1 B 38 SH	3.40	3.80	4.15	SH	D1	1 11/16	9/16	—	15/16	1/8	1.6
1 B 40 SH	3.60	4.00	4.35	SH	C1	1 11/16	1/4	5/16	15/16	3/16	1.8
1 B 42 SH	3.80	4.20	4.55	SH	C1	1 11/16	1/4	5/16	15/16	3/16	2.0
1 B 44 SH	4.00	4.40	4.75	SH	C1	1 11/16	1/4	5/16	15/16	3/16	2.2
1 B 46 SDS	4.20	4.60	4.95	SDS	C1	2	5/16	5/16	13/8	3/16	2.4
1 B 48 SDS	4.40	4.80	5.15	SDS	C1	2	5/16	5/16	13/8	3/16	2.6
1 B 50 SDS	4.60	5.00	5.35	SDS	C1	2	5/16	5/16	13/8	3/16	3.0
1 B 52 SDS	4.80	5.20	5.55	SDS	C1	2	5/16	5/16	13/8	3/16	3.4
1 B 54 SDS	5.00	5.40	5.75	SDS	C1	2	5/16	5/16	13/8	3/16	3.8
1 B 56 SDS	5.20	5.60	5.95	SDS	C1	2	5/16	5/16	13/8	3/16	4.0
1 B 58 SDS	5.40	5.80	6.15	SDS	C1	2	5/16	5/16	13/8	3/16	4.4
1 B 60 SDS	5.60	6.00	6.35	SDS	C1	2	5/16	5/16	13/8	3/16	4.6
1 B 62 SDS	5.80	6.20	6.55	SDS	C2	2	5/16	5/16	13/8	3/16	4.8
1 B 64 SDS	6.00	6.40	6.75	SDS	C2	2	5/16	5/16	13/8	3/16	5.0
1 B 66 SDS	6.20	6.60	6.95	SDS	C2	2	5/16	5/16	13/8	3/16	5.4
1 B 68 SDS	6.40	6.80	7.15	SDS	C2	2	5/16	5/16	13/8	3/16	5.6
1 B 70 SDS	6.60	7.00	7.35	SDS	C2	2	1/2	1/8	13/8	1/8	6.0
1 B 74 SDS	7.00	7.40	7.75	SDS	C2	2	1/2	1/8	13/8	1/8	6.3
1 B 80 SDS	7.60	8.00	8.35	SDS	C3	2	1/2	1/8	13/8	1/8	6.6
1 B 86 SDS	8.20	8.60	8.95	SDS	C3	2	1/2	1/8	13/8	1/8	7.0
1 B 94 SDS	9.00	9.40	9.75	SDS	C3	2	1/2	1/8	13/8	1/8	8.0
1 B 110 SDS	10.60	11.00	11.35	SDS	C3	2	1/2	1/8	13/8	1/8	10.0
1 B 124 SDS	12.00	12.40	12.75	SDS	C3	2	1/2	1/8	13/8	1/8	12.0
1 B 136 SDS	13.20	13.60	13.95	SDS	C3	2	1/2	1/8	13/8	1/8	14.0
1 B 154 SK	15.00	15.40	15.75	SK	C3	2 5/8	9/16	1/8	1 15/16	3/8	17.0
1 B 160 SK	15.60	16.00	16.35	SK	C3	2 5/8	9/16	1/8	1 15/16	3/8	18.0
1 B 184 SK	18.00	18.40	18.75	SK	C3	2 5/8	9/16	1/8	1 15/16	3/8	20.0
1 B 200 SK	19.60	20.00	20.35	SK	C3	2 5/8	9/16	1/8	1 15/16	3/8	23.0



A/B-2

F = 1 3/4" (44.45mm)

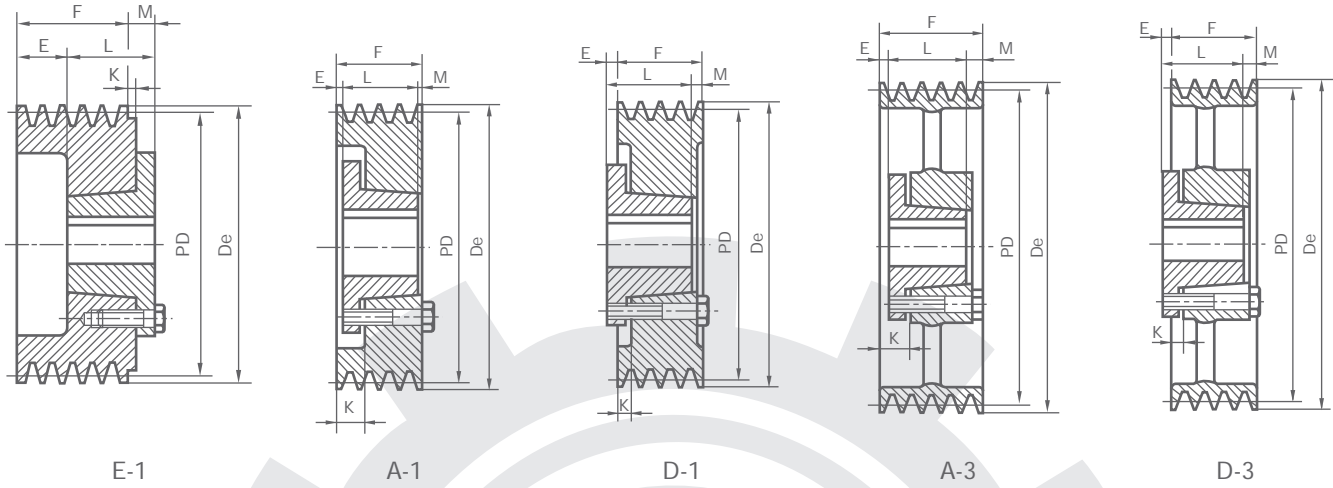
SHEAVE	P.D		O.D	Bush	TYPE	Bush Max. Bore	E	K	L	M	WT LESS Bush
	A Belte	B Belte									
2 B 34 SH	3.00	3.40	3.75	SH	E ₁	1 11/16	1	—	1 5/16	9/16	1.0
2 B 36 SH	3.20	3.60	3.95	SH	D ₁	1 11/16	3/8	3/16	1 5/16	13/16	1.4
2 B 38 SH	3.40	3.80	4.15	SH	D ₁	1 11/16	3/8	3/16	1 5/16	13/16	1.8
2 B 40 SH	3.60	4.00	4.35	SH	A ₁	1 11/16	1/8	11/16	1 5/16	5/16	2.0
2 B 42 SH	3.80	4.20	4.55	SH	A ₁	1 11/16	1/8	11/16	1 5/16	5/16	2.5
2 B 44 SH	4.00	4.40	4.75	SH	A ₁	1 11/16	1/8	11/16	1 5/16	5/16	2.8
2 B 46 SDS	4.20	4.60	4.95	SDS	A ₁	2	1/16	11/16	1 3/8	5/16	4.8
2 B 48 SDS	4.40	4.80	5.15	SDS	A ₁	2	1/16	11/16	1 3/8	5/16	5.0
2 B 50 SDS	4.60	5.00	5.35	SDS	A ₁	2	1/16	11/16	1 3/8	5/16	5.4
2 B 52 SDS	4.80	5.20	5.55	SDS	A ₁	2	1/16	11/16	1 3/8	5/16	5.6
2 B 54 SDS	5.00	5.40	5.75	SDS	A ₁	2	1/16	11/16	1 3/8	5/16	5.8
2 B 56 SDS	5.20	5.60	5.95	SDS	A ₂	2	1/16	11/16	1 3/8	5/16	6.0
2 B 58 SDS	5.40	5.80	6.15	SDS	A ₂	2	1/16	11/16	1 3/8	5/16	7.0
2 B 60 SDS	5.60	6.00	6.35	SDS	A ₂	2	1/16	11/16	1 3/8	5/16	7.5
2 B 62 SDS	5.80	6.20	6.55	SDS	A ₂	2	1/16	11/16	1 3/8	5/16	7.8
2 B 64 SDS	6.00	6.40	6.75	SDS	A ₂	2	1/16	11/16	1 3/8	5/16	8.0
2 B 66 SDS	6.20	6.60	6.95	SDS	A ₂	2	1/16	11/16	1 3/8	5/16	9.0
2 B 68 SDS	6.40	6.80	7.15	SDS	A ₂	2	1/16	11/16	1 3/8	5/16	9.5
2 B 70 SK	6.60	7.00	7.35	SK	D ₂	2 5/8	1/4	7/16	1 15/16	1/16	9.8
2 B 74 SK	7.00	7.40	7.75	SK	D ₂	2 5/8	1/4	7/16	1 15/16	1/16	11.0
2 B 80 SK	7.60	8.00	8.35	SK	D ₂	2 5/8	1/4	7/16	1 15/16	1/16	12.0
2 B 86 SK	8.20	8.60	8.95	SK	D ₃	2 5/8	1/4	7/16	1 15/16	1/16	13.0
2 B 94 SK	9.00	9.40	9.75	SK	D ₃	2 5/8	1/4	7/16	1 15/16	1/16	14.0
2 B 110 SK	10.60	11.00	11.35	SK	D ₃	2 5/8	1/4	7/16	1 15/16	1/16	15.0
2 B 124 SK	12.00	12.40	12.75	SK	D ₃	2 5/8	1/4	7/16	1 15/16	1/16	17.0
2 B 136 SK	13.20	13.60	13.95	SK	D ₃	2 5/8	1/4	7/16	1 15/16	1/16	19.0
2 B 154 SK	15.00	15.40	15.75	SK	D ₃	2 5/8	1/4	7/16	1 15/16	1/16	22.0
2 B 160 SK	15.60	16.00	16.35	SK	D ₃	2 5/8	1/4	7/16	1 15/16	1/16	25.0
2 B 184 SK	18.00	18.40	18.75	SK	D ₃	2 5/8	1/4	7/16	1 15/16	1/16	30.0
2 B 200 SF	19.60	20.00	20.35	SF	D ₃	2 15/16	5/16	3/8	2 1/16	—	39.0
2 B 250 SF	24.60	25.00	25.35	SF	D ₃	2 15/16	5/16	3/8	2 1/16	—	61.0
2 B 300 SF	29.60	30.00	30.35	SF	D ₃	2 15/16	5/16	3/8	2 1/16	—	64.0
2 B 380 SF	37.60	38.00	38.35	SF	D ₃	2 15/16	5/16	3/8	2 1/16	—	86.0

**T_{aper}
B_{ore}** V-pulleys

A/B-C-D

Cast Iron Sheaves

QTL



A/B-3

F = 2 1/2" (63.50mm)

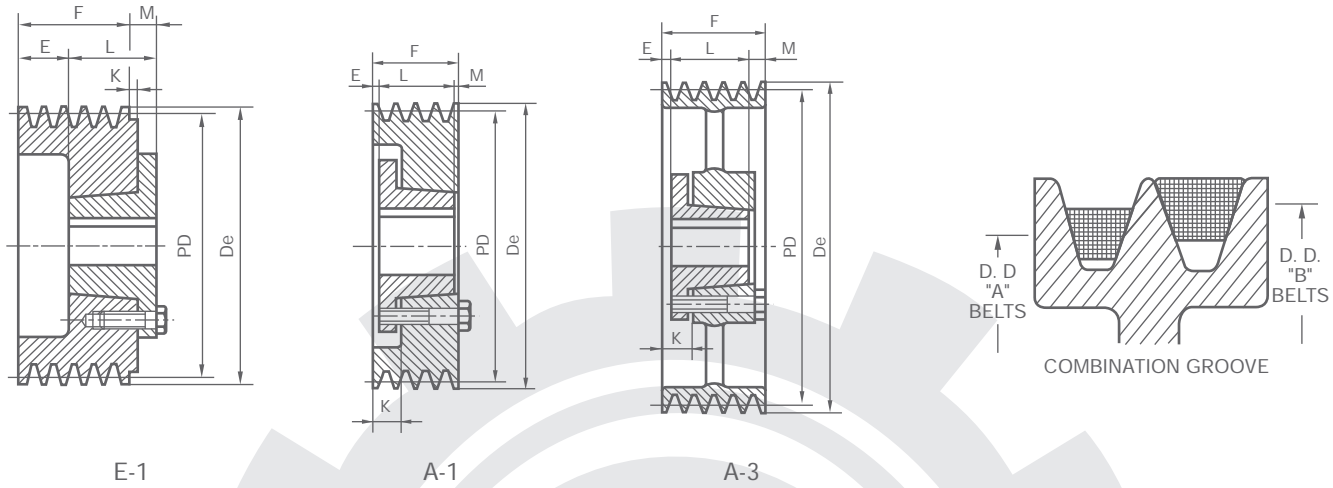
SHEAVE	P.D		O.D	Bush	TYPE	Bush Max. Bore	E	K	L	M	WT LESS Bush
	A Belte	B Belte									
3 B 34 SH	3.00	3.40	3.75	SH	E1	11/16	13/4	—	15/16	9/16	3.4
3 B 36 SH	3.20	3.60	3.95	SH	D1	11/16	3/8	3/16	15/16	19/16	3.8
3 B 38 SH	3.40	3.80	4.15	SH	D1	11/16	3/8	3/16	15/16	19/16	4.0
3 B 40 SH	3.60	4.00	4.35	SH	A1	11/16	1/2	11/16	15/16	11/16	4.5
3 B 42 SH	3.80	4.20	4.55	SH	A1	11/16	1/2	11/16	15/16	11/16	5.0
3 B 44 SH	4.00	4.40	4.75	SH	A1	11/16	1/2	11/16	15/16	11/16	5.5
3 B 46 SD	4.20	4.60	4.95	SD	A1	2	7/16	11/16	113/16	1/4	6.0
3 B 48 SD	4.40	4.80	5.15	SD	A1	2	7/16	11/16	113/16	1/4	6.5
3 B 50 SD	4.60	5.00	5.35	SD	A1	2	7/16	11/16	113/16	1/4	7.0
3 B 52 SD	4.80	5.20	5.55	SD	A1	2	7/16	11/16	113/16	1/4	8.0
3 B 54 SD	5.00	5.40	5.75	SD	A1	2	7/16	11/16	113/16	1/4	8.5
3 B 56 SD	5.20	5.60	5.95	SD	A1	2	7/16	11/16	113/16	1/4	9.0
3 B 58 SD	5.40	5.80	6.15	SD	A1	2	7/16	11/16	113/16	1/4	10.0
3 B 60 SD	5.60	6.00	6.35	SD	A1	2	7/16	11/16	113/16	1/4	11.0
3 B 62 SD	5.80	6.20	6.55	SD	A1	2	7/16	11/16	113/16	1/4	12.0
3 B 64 SD	6.00	6.40	6.75	SD	A1	2	7/16	11/16	113/16	1/4	12.36
3 B 66 SD	6.20	6.60	6.95	SD	A1	2	7/16	11/16	113/16	1/4	12.6
3 B 68 SD	6.40	6.80	7.15	SD	A1	2	7/16	11/16	113/16	1/4	13.0
3 B 70 SK	6.60	7.00	7.35	SK	A1	25/8	—	11/16	115/16	9/16	14.0
3 B 74 SK	7.00	7.40	7.75	SK	A1	25/8	—	11/16	115/16	9/16	15.0
3 B 80 SK	7.60	8.00	8.35	SK	A1	25/8	—	11/16	115/16	9/16	16.0
3 B 86 SK	8.20	8.60	8.95	SK	A3	25/8	—	11/16	115/16	9/16	17.0
3 B 94 SK	9.00	9.40	9.75	SK	A3	25/8	—	11/16	115/16	9/16	18.0
3 B 110 SK	10.60	11.00	11.35	SK	A3	25/8	—	11/16	115/16	9/16	19.0
3 B 124 SK	12.00	12.40	12.75	SK	A3	25/8	—	11/16	115/16	9/16	22.0
3 B 136 SK	13.20	13.60	13.95	SK	A3	25/8	—	11/16	115/16	9/16	24.1
3 B 154 SK	15.00	15.40	15.75	SK	A3	25/8	—	11/16	115/16	9/16	28.0
3 B 160 SK	15.60	16.00	16.35	SK	A3	25/8	—	11/16	115/16	9/16	29.0
3 B 184 SK	18.00	18.40	18.75	SK	A3	25/8	—	11/16	115/16	9/16	37.0
3 B 200 SF	19.60	20.00	20.35	SF	D3	25/16	1/16	5/8	21/16	1/2	39.0
3 B 250 SF	24.60	25.00	25.35	SF	D3	25/16	1/16	5/8	21/16	1/2	67.0
3 B 300 SF	29.60	30.00	30.35	SF	D3	25/16	1/16	5/8	21/16	1/2	74.0
3 B 380 E	37.60	38.00	38.35	E	D3	31/2	1/4	5/8	25/8	1/8	122.0

**T_{aper}
B_{ore}** V-pulleys

A/B-C-D

Cast Iron Sheaves

QTL



A/B-4

F = 3 1/4" (82.55mm)

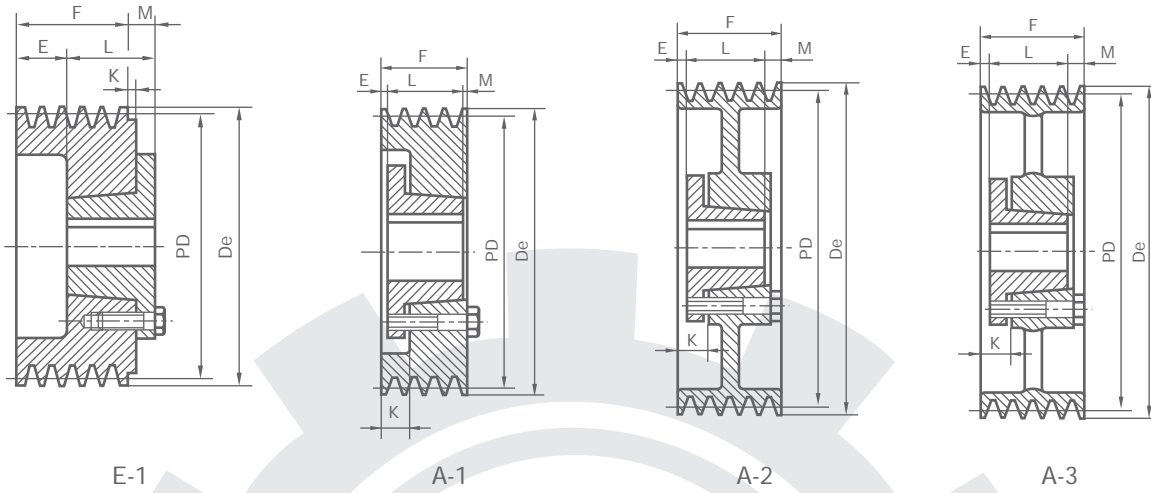
SHEAVE	P.D		O.D	Bush	TYPE	Bush Max. Bore	E	K	L	M	WT LESS Bush
	A Belte	B Belte									
4 B 34 SD	3.00	3.40	3.75	SD	E1	2	23/8	5/16	113/16	15/16	4
4 B 36 SD	3.20	3.60	3.95	SD	E1	2	23/8	5/16	113/16	15/16	5
4 B 38 SD	3.40	3.80	4.15	SD	E1	2	23/8	5/16	113/16	15/16	5
4 B 40 SD	3.60	4.00	4.35	SD	E1	2	21/16	—	113/16	5/8	6
4 B 42 SD	3.80	4.20	4.55	SD	E1	2	21/16	—	113/16	5/8	7
4 B 44 SD	4.00	4.40	4.75	SD	E1	2	21/16	—	113/16	5/8	7
4 B 46 SD	4.20	4.60	4.95	SD	A1	2	11/16	15/16	113/16	3/4	7
4 B 48 SD	4.40	4.80	5.15	SD	A1	2	11/16	15/16	113/16	3/4	8
4 B 50 SD	4.60	5.00	5.35	SD	A1	2	11/16	15/16	113/16	3/4	9
4 B 52 SD	4.80	5.20	5.55	SD	A1	2	11/16	15/16	113/16	3/4	10.0
4 B 54 SD	5.00	5.40	5.75	SD	A1	2	11/16	15/16	113/16	3/4	10.5
4 B 56 SD	5.20	5.60	5.95	SD	A1	2	11/16	15/16	113/16	3/4	11.0
4 B 58 SD	5.40	5.80	6.15	SD	A1	2	11/16	15/16	113/16	3/4	12.0
4 B 60 SD	5.60	6.00	6.35	SD	A1	2	11/16	15/16	113/16	3/4	12.5
4 B 62 SD	5.80	6.20	6.55	SD	A1	2	11/16	15/16	113/16	3/4	13.0
4 B 64 SD	6.00	6.40	6.75	SD	A1	2	11/16	15/16	113/16	3/4	14.0
4 B 66 SD	6.20	6.60	6.95	SD	A1	2	11/16	15/16	113/16	3/4	14.5
4 B 68 SD	6.40	6.80	7.15	SD	A1	2	11/16	15/16	113/16	3/4	15.0
4 B 70 SK	6.60	7.00	7.35	SK	A1	25/8	5/16	1	115/16	1	15.5
4 B 74 SK	7.00	7.40	7.75	SK	A1	25/8	5/16	1	115/16	1	16.0
4 B 80 SK	7.60	8.00	8.35	SK	A1	25/8	5/16	1	115/16	1	17.0
4 B 86 SK	8.20	8.60	8.95	SK	A3	25/8	5/16	1	115/16	1	18.0
4 B 94 SK	9.00	9.40	9.75	SK	A3	25/8	5/16	1	115/16	1	19.0
4 B 110 SK	10.60	11.00	11.35	SK	A3	25/8	5/16	1	115/16	1	24.0
4 B 124 SK	12.00	12.40	12.75	SK	A3	25/8	5/16	1	115/16	1	26.0
4 B 136 SK	13.20	13.60	13.95	SK	A3	25/8	5/16	1	115/16	1	28.0
4 B 154 SF	15.00	15.40	15.75	SF	A3	25/16	5/16	1	21/16	7/8	41.0
4 B 160 SF	15.60	16.00	16.35	SF	A3	25/16	5/16	1	21/16	7/8	42.0
4 B 184 SF	18.00	18.40	18.75	SF	A3	25/16	5/16	1	21/16	7/8	48.0
4 B 200 SF	19.60	20.00	20.35	SF	A3	25/16	5/16	1	21/16	7/8	58.0
4 B 250 E	24.60	25.00	25.35	E	A3	31/2	1/8	1	25/8	1/2	78.0
4 B 300 E	29.60	30.00	30.35	E	A3	31/2	1/8	1	25/8	1/2	93.0
4 B 380 E	37.60	38.00	38.35	E	A3	31/2	1/8	1	25/8	1/2	138

T_B^{aper} **V-pulleys**

A/B-C-D

Cast Iron Sheaves

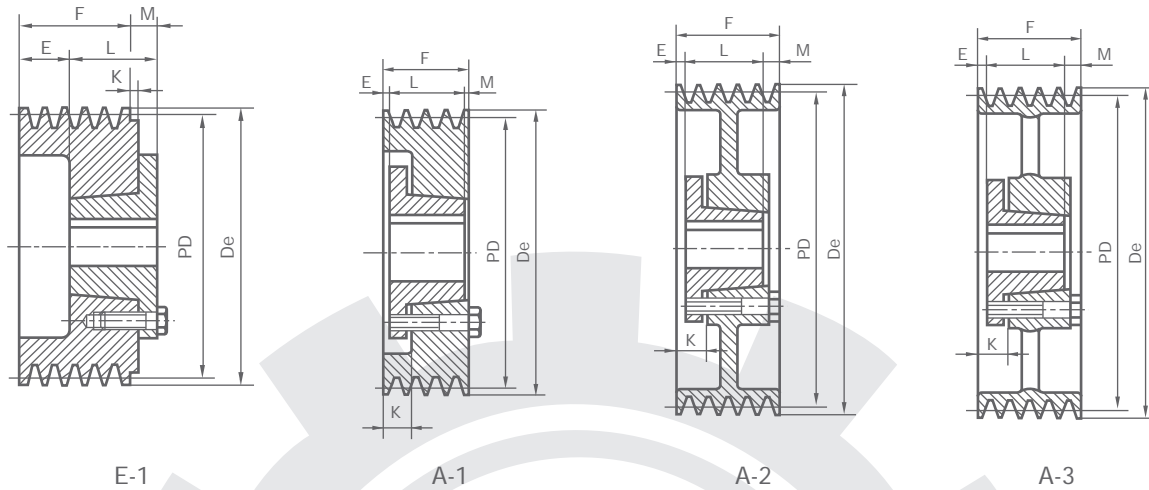
QTL



A/B-5

F = 4" (101.60mm)

SHEAVE	P.D		O.D	Bush	TYPE	Bush Max. Bore	E	K	L	M	WT LESS Bush
	A Belte	B Belte									
5 B 34 SD	3.00	3.40	3.75	SD	E1	2	3/4	7/16	1 13/16	1 1/16	5.0
5 B 36 SD	3.20	3.60	3.95	SD	E1	2	3/4	7/16	1 13/16	1 1/16	6.0
5 B 38 SD	3.40	3.80	4.15	SD	E1	2	3/8	5/16	1 13/16	1 5/16	6.5
5 B 40 SD	3.60	4.00	4.35	SD	E1	2	2 13/16	—	1 13/16	5/8	7.0
5 B 42 SD	3.80	4.20	4.55	SD	E1	2	2 13/16	—	1 13/16	5/8	7.5
5 B 44 SD	4.00	4.40	4.75	SD	E1	2	2 13/16	—	1 13/16	5/8	8.0
5 B 46 SD	4.20	4.60	4.95	SD	A1	2	1 1/16	1 5/16	1 13/16	1 1/2	9.0
5 B 48 SD	4.40	4.80	5.15	SD	A1	2	1 1/16	1 5/16	1 13/16	1 1/2	9.5
5 B 50 SD	4.60	5.00	5.35	SD	A1	2	1 1/16	1 5/16	1 13/16	1 1/2	10.0
5 B 52 SD	4.80	5.20	5.55	SD	A1	2	1 1/16	1 5/16	1 13/16	1 1/2	10.5
5 B 54 SK	5.00	5.40	5.75	SK	A1	2 5/8	5/8	1 5/16	1 15/16	1 7/16	11.0
5 B 56 SK	5.20	5.60	5.95	SK	A1	2 5/8	5/8	1 5/16	1 15/16	1 7/16	11.5
5 B 58 SK	5.40	5.80	6.15	SK	A1	2 5/8	5/8	1 5/16	1 15/16	1 7/16	12.0
5 B 60 SK	5.60	6.00	6.35	SK	A1	2 5/8	5/8	1 5/16	1 15/16	1 7/16	13.0
5 B 62 SK	5.80	6.20	6.55	SK	A1	2 5/8	5/8	1 5/16	1 15/16	1 7/16	14.0
5 B 64 SK	6.00	6.40	6.75	SK	A1	2 5/8	5/8	1 5/16	1 15/16	1 7/16	15.0
5 B 66 SK	6.20	6.60	6.95	SK	A1	2 5/8	5/8	1 5/16	1 15/16	1 7/16	16.0
5 B 68 SK	6.40	6.80	7.15	SK	A1	2 5/8	5/8	1 5/16	1 15/16	1 7/16	17.0
5 B 70 SF	6.60	7.00	7.35	SF	A1	2 15/16	5/8	1 5/16	2 1/16	1 5/16	18.0
5 B 74 SF	7.00	7.40	7.75	SF	A1	2 15/16	5/8	1 5/16	2 1/16	1 5/16	20.0
5 B 80 SF	7.60	8.00	8.35	SF	A1	2 15/16	5/8	1 5/16	2 1/16	1 5/16	23.0
5 B 86 SF	8.20	8.60	8.95	SF	A2	2 15/16	5/8	1 5/16	2 1/16	1 5/16	24.0
5 B 94 SF	9.00	9.40	9.75	SF	A2	2 15/16	5/8	1 5/16	2 1/16	1 5/16	26.0
5 B 110 SF	10.60	11.00	11.35	SF	A2	2 15/16	5/8	1 5/16	2 1/16	1 5/16	32.0
5 B 124 SF	12.00	12.40	12.75	SF	A3	2 15/16	5/8	1 5/16	2 1/16	1 5/16	35.0
5 B 136 SF	13.20	13.60	13.95	SF	A3	2 15/16	5/8	1 5/16	2 1/16	1 5/16	36.0
5 B 154 SF	15.00	15.40	15.75	SF	A3	2 15/16	5/8	1 5/16	2 1/16	1 5/16	46.0
5 B 160 SF	15.60	16.00	16.35	SF	A3	2 15/16	5/8	1 5/16	2 1/16	1 5/16	48.0
5 B 184 SF	18.00	18.40	18.75	SF	A3	2 15/16	5/8	1 5/16	2 1/16	1 5/16	50.0
5 B 200 E	19.60	20.00	20.35	E	A3	3 1/2	3/8	1 1/4	2 5/8	1	72.0
5 B 250 E	24.60	25.00	25.35	E	A3	3 1/2	3/8	1 1/4	2 5/8	1	90.0
5 B 300 E	29.60	30.00	30.35	E	A3	3 1/2	3/8	1 1/4	2 5/8	1	108
5 B 380 E	37.60	38.00	38.35	E	A3	3 1/2	3/8	1 1/4	2 5/8	1	145



A/B-6

F = 4 3/4" (120.65mm)

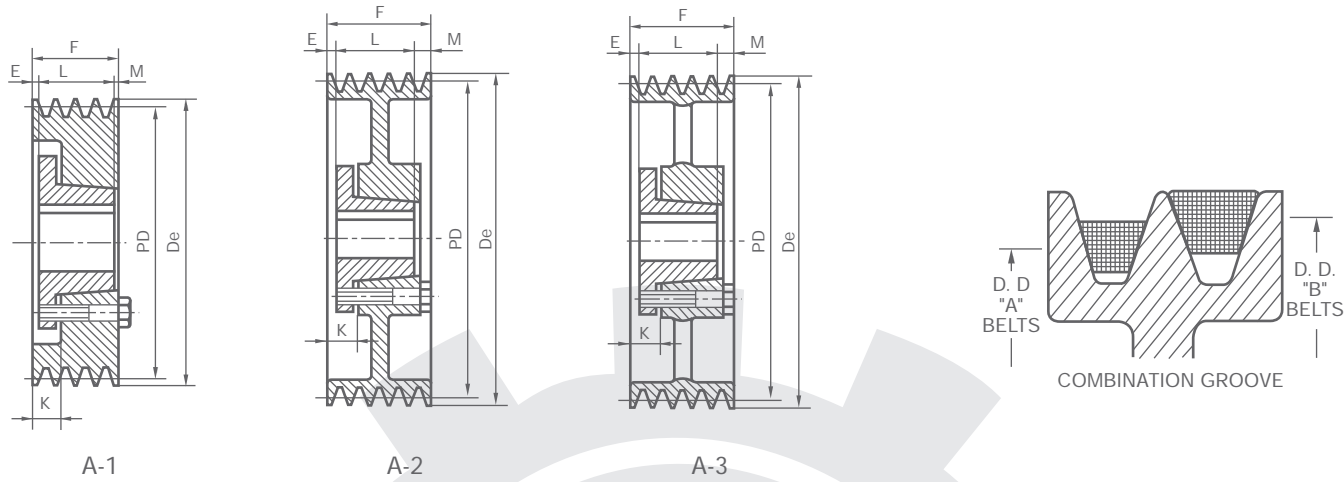
SHEAVE	P.D		O.D	Bush	TYPE	Bush Max. Bore	E	K	L	M	WT LESS Bush
	A Belte	B Belte									
6 B 34 SD	3.00	3.40	3.75	SD	E1	2	37/8	5/16	113/16	15/16	6.0
6 B 36 SD	3.20	3.60	3.95	SD	E1	2	37/8	5/16	113/16	13/16	7.0
6 B 38 SD	3.40	3.80	4.15	SD	E1	2	37/8	5/16	113/16	13/16	7.5
6 B 40 SD	3.60	4.00	4.35	SD	E1	2	39/16	—	113/16	5/8	8.0
6 B 42 SD	3.80	4.20	4.55	SD	E1	2	39/16	—	113/16	5/8	9.0
6 B 44 SD	4.00	4.40	4.75	SD	E1	2	39/16	—	113/16	5/8	9.5
6 B 46 SD	4.20	4.60	4.95	SD	A1	2	9/16	13/16	113/16	23/8	10.0
6 B 48 SD	4.40	4.80	5.15	SD	A1	2	21/4	13/16	113/16	23/8	10.5
6 B 50 SD	4.60	5.00	5.35	SD	A1	2	21/4	13/16	113/16	23/8	11.0
6 B 52 SD	4.80	5.20	5.55	SD	A1	2	21/4	13/16	113/16	23/8	11.5
6 B 54 SK	5.00	5.40	5.75	SK	A1	25/8	5/8	15/16	115/16	23/16	12.0
6 B 56 SK	5.20	5.60	5.95	SK	A1	25/8	5/8	15/16	115/16	23/16	13.0
6 B 58 SK	5.40	5.80	6.15	SK	A1	25/8	5/8	15/16	115/16	23/16	14.0
6 B 60 SK	5.60	6.00	6.35	SK	A1	25/8	5/8	15/16	115/16	23/16	15.0
6 B 62 SK	5.80	6.20	6.55	SK	A1	25/8	5/8	15/16	115/16	23/16	16.0
6 B 64 SK	6.00	6.40	6.75	SK	A1	25/8	5/8	15/16	115/16	23/16	17.0
6 B 66 SK	6.20	6.60	6.95	SK	A1	25/8	5/8	15/16	115/16	23/16	18.0
6 B 68 SK	6.40	6.80	7.15	SK	A1	25/8	5/8	15/16	115/16	23/16	19.0
6 B 70 SF	6.60	7.00	7.35	SF	A1	215/16	1	111/16	21/16	111/16	19.5
6 B 74 SF	7.00	7.40	7.75	SF	A1	215/16	1	111/16	21/16	111/16	22.0
6 B 80 SF	7.60	8.00	8.35	SF	A1	215/16	1	111/16	21/16	111/16	25.0
6 B 86 SF	8.20	8.60	8.95	SF	A2	215/16	1	111/16	21/16	111/16	28.0
6 B 94 SF	9.00	9.40	9.75	SF	A2	215/16	1	111/16	21/16	111/16	29.0
6 B 110 SF	10.60	11.00	11.35	SF	A2	215/16	1	111/16	21/16	111/16	30.0
6 B 124 SF	12.00	12.40	12.75	SF	A3	215/16	1	111/16	21/16	111/16	40.0
6 B 136 SF	13.20	13.60	13.95	SF	A3	215/16	1	111/16	21/16	111/16	45.0
6 B 154 SF	15.00	15.40	15.75	SF	A3	215/16	1	111/16	21/16	111/16	46.0
6 B 160 SF	15.60	16.00	16.35	SF	A3	215/16	1	111/16	21/16	111/16	50.0
6 B 184 SF	18.00	18.40	18.75	SF	A3	215/16	1	111/16	21/16	111/16	60.0
6 B 200 E	19.60	20.00	20.35	E	A3	31/2	1/2	13/8	25/8	15/8	78.0
6 B 250 E	24.60	25.00	25.35	E	A3	31/2	1/2	13/8	25/8	15/8	98.0
6 B 300 E	29.60	30.00	30.35	E	A3	31/2	1/2	13/8	25/8	15/8	109
6 B 380 E	37.60	38.00	38.35	E	A3	31/2	1/2	13/8	25/8	15/8	173

T_B *V-pulleys*

A/B-C-D

Cast Iron Sheaves

QTL



A/B-8

F = 6 1/4" (158.75mm)

SHEAVE	P.D		O.D	Bush	Type	Bush Max Bore	E	K	L	M	WT Less Bush
	A Bette	B Bette									
8 B 54 SK	5.00	5.40	5.75	SK	A1	25/8	1/8	1 13/16	1 15/16	33/16	14.0
8 B 56 SK	5.20	5.60	5.95	SK	A1	25/8	1/8	1 13/16	1 15/16	33/16	16.0
8 B 58 SK	5.40	5.80	6.15	SK	A1	25/8	1/8	1 13/16	1 15/16	33/16	16.5
8 B 60 SF	5.60	6.00	6.35	SF	A1	2 15/16	1/8	1 13/16	2 1/16	3 1/16	17.0
8 B 62 SF	5.80	6.20	6.55	SF	A1	2 15/16	1/8	1 13/16	2 1/16	3 1/16	18.0
8 B 64 SF	6.00	6.40	6.75	SF	A1	2 15/16	1/8	1 13/16	2 1/16	3 1/16	18.5
8 B 66 SF	6.20	6.60	6.95	SF	A1	2 15/16	1/8	1 13/16	2 1/16	3 1/16	21.0
8 B 68 SF	6.40	6.80	7.15	SF	A1	2 15/16	1/8	1 13/16	2 1/16	3 1/16	22.0
8 B 70 SF	6.60	7.00	7.35	SF	A1	2 15/16	1/8	1 13/16	2 1/16	3 1/16	22.5
8 B 74 SF	7.00	7.40	7.75	SF	A1	2 15/16	1/8	1 13/16	2 1/16	3 1/16	25.0
8 B 80 SF	7.60	8.00	8.35	SF	A1	2 15/16	1/8	1 13/16	2 1/16	3 1/16	29.0
8 B 86 E	8.20	8.60	8.95	E	A1	3 1/2	1 1/2	2 3/8	2 5/8	2 1/8	34.0
8 B 94 E	9.00	9.40	9.75	E	A1	3 1/2	1 1/2	2 3/8	2 5/8	2 1/8	40.0
8 B 110 E	10.60	11.00	11.35	E	A2	3 1/2	1 1/2	2 3/8	2 5/8	2 1/8	47.0
8 B 124 E	12.00	12.40	12.75	E	A3	3 1/2	1 1/2	2 3/8	2 5/8	2 1/8	52.0
8 B 136 E	13.20	13.60	13.95	E	A3	3 1/2	1 1/2	2 3/8	2 5/8	2 1/8	60.0
8 B 154 E	15.00	15.40	15.75	E	A3	3 1/2	1 1/2	2 3/8	2 5/8	2 1/8	82.0
8 B 160 E	15.60	16.00	16.35	E	A3	3 1/2	1 1/2	2 3/8	2 5/8	2 1/8	90.0
8 B 184 F	18.00	18.40	18.75	F	A3	3 15/16	5/16	1 5/16	3 5/8	2 5/16	110
8 B 200 F	19.60	20.00	20.35	F	A3	3 15/16	5/16	1 5/16	3 5/8	2 5/16	122
8 B 250 F	24.60	25.00	25.35	F	A3	3 15/16	5/16	1 5/16	3 5/8	2 5/16	138
8 B 300 F	29.60	30.00	30.35	F	A3	3 15/16	5/16	1 5/16	3 5/8	2 5/16	168
8 B 380 F	37.60	38.00	38.35	F	A3	3 15/16	5/16	1 5/16	3 5/8	2 5/16	222

BORE RANGE FOR QTL BUSHING

Bush. Sym.	Min. Bore	Max. Bore with:		
		Full Keyway	Shallow Keyway	No Keyway
SH	1/2	1-3/8	1-5/8	1-11/16
SDS	1/2	1 5/8	1-15/16	2
SD	1/2	1 5/8	1-15/16	2
SK	1/2	2-1/8	2-1/2	2 5/8, 2 9/16
SF	1/2	2 1/4	2 7/8	2-15/16
E	7/8	2-7/8	3-1/2	—
F	1	3-1/4	3-15/16	4

STANDARD KEYWAY & KEY DIMENSION

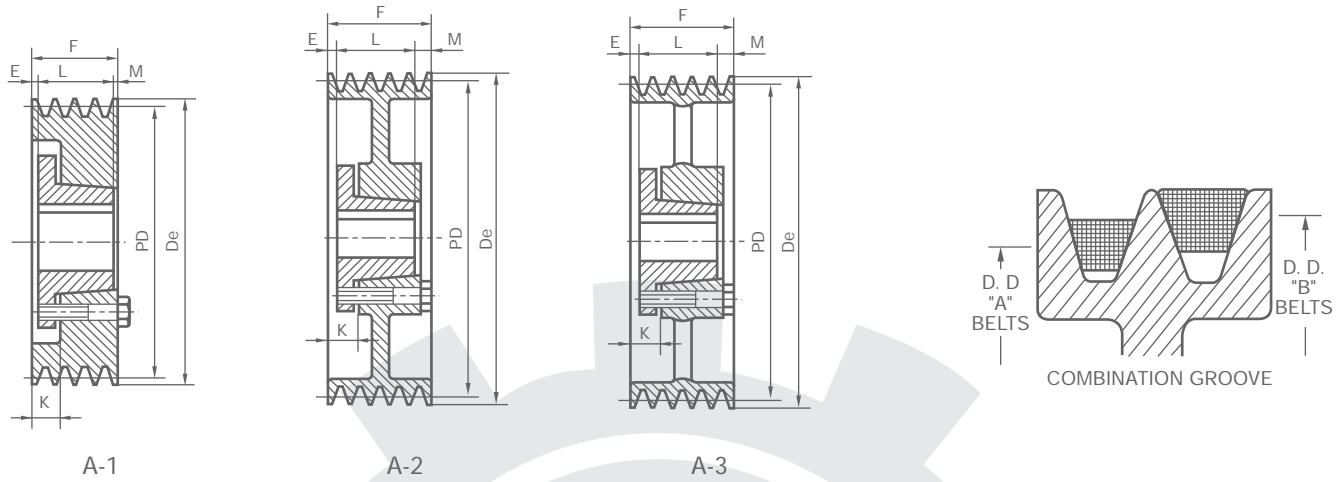
Bores	Key Seat	Key
1/2-9/16	1/8x1/16	1/8x1/8
5/8-7/8	3/16x3/32	3/16x3/16
15/16-1 1/4	1/4x1/8	1/4x1/4
1 5/16-1 3/8	5/16x5/32	5/16x5/16
1 7/16-1 3/4	3/8x3/16	3/8x3/8
1 13/16-2 1/4	1/2x1/4	1/2x1/2
2 5/16-2 3/4	5/8x5/16	5/8x5/8
2 13/16-3 1/4	3/4x3/8	3/4x3/4
3 5/16-3 3/4	7/8x7/16	7/8x7/8
3 13/16-4 1/2	1x1/2	1x1

**T_{aper}
B_{ore}** V-pulleys

A/B-C-D

Cast Iron Sheaves

QTL



A/B-10

F = 7 3/4" (196.85mm)

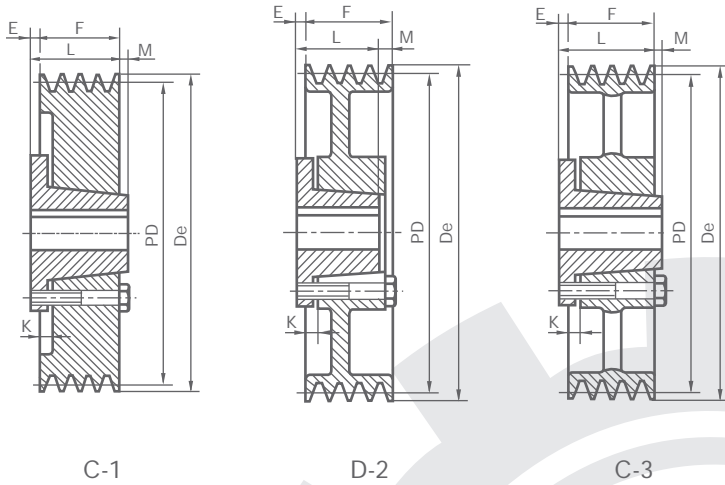
SHEAVE	P.D		O.D	Bush	Type	Bush Max Bore	E	K	L	M	WT Less Bush
	A Belt	B Belt									
10 B 54 SK	5.00	5.40	5.75	SK	A1	25/8	17/8	29/16	115/16	315/16	15
10 B 56 SK	5.20	5.60	5.95	SK	A1	25/8	17/8	29/16	115/16	315/16	18
10 B 58 SK	5.40	5.80	6.15	SK	A1	25/8	17/8	29/16	115/16	315/16	20
10 B 60 SF	5.60	6.00	6.35	SF	A1	215/16	17/8	29/16	211/16	313/16	22
10 B 62 SF	5.80	6.20	6.55	SF	A1	215/16	17/8	29/16	211/16	313/16	24
10 B 64 SF	6.00	6.40	6.75	SF	A1	215/16	17/8	29/16	211/16	313/16	25
10 B 66 SF	6.20	6.60	6.95	SF	A1	215/16	17/8	29/16	211/16	313/16	26
10 B 68 SF	6.40	6.80	7.15	SF	A1	215/16	17/8	29/16	211/16	313/16	27
10 B 70 SF	6.60	7.00	7.35	SF	A1	215/16	17/8	29/16	211/16	313/16	28
10 B 74 SF	7.00	7.40	7.75	SF	A1	215/16	17/8	29/16	211/16	313/16	31
10 B 80 SF	7.60	8.00	8.35	SF	A1	215/16	17/8	29/16	211/16	313/16	35
10 B 86 E	8.20	8.60	8.95	E	A1	31/2	21/4	31/8	25/8	27/8	38
10 B 94 E	9.00	9.40	9.75	E	A1	31/2	21/4	31/8	25/8	27/8	45
10 B 110 E	10.60	11.00	11.35	E	A2	31/2	21/4	31/8	25/8	27/8	59
10 B 124 E	12.00	12.40	12.75	E	A3	31/2	21/4	31/8	25/8	27/8	63
10 B 136 F	13.20	13.60	13.95	F	A3	315/16	11/16	21/16	35/8	31/16	78
10 B 154 F	15.00	15.40	15.75	F	A3	315/16	11/16	21/16	35/8	31/16	90
10 B 160 F	15.60	16.00	16.35	F	A3	315/16	11/16	21/16	35/8	31/16	96
10 B 184 F	18.00	18.40	18.75	F	A3	315/16	11/16	21/16	35/8	31/16	113
10 B 200 F	19.60	20.00	20.35	F	A3	315/16	11/16	21/16	35/8	31/16	124
10 B 250 F	24.60	25.00	25.35	F	A3	315/16	11/16	21/16	35/8	31/16	138
10 B 300 F	29.60	30.00	30.35	F	A3	315/16	11/16	21/16	35/8	31/16	200
10 B 380 J	37.60	38.00	38.35	J	A3	41/2	3/8	19/16	41/2	27/8	279

BORE RANGE FOR QTL BUSHING

Bush. Sym.	Min. Bore	Max. Bore with:		
		Full Keyway	Shallow Keyway	No Keyway
SK	1/2	2-1/8	2-1/2	25/8, 29/16
SF	1/2	21/4	27/8	2-15/16
E	7/8	2-7/8	3-1/2	—
F	1	3-1/4	3-15/16	4
J	1-1/2	313/16	4-1/2	—

STANDARD KEYWAY & KEY DIMENSION

Bores	Key Seat	Key
1/2-9/16	1/8x1/16	1/8x1/8
5/8-7/8	3/16x3/32	3/16x3/16
15/16-11/4	1/4x1/8	1/4x1/4
15/16-13/8	5/16x5/32	5/16x5/16
17/16-13/4	3/8x3/16	3/8x3/8
113/16-21/4	1/2x1/4	1/2x1/2
25/16-23/4	5/8x5/16	5/8x5/8
213/16-31/4	3/4x3/8	3/4x3/4
35/16-33/4	7/8x7/16	7/8x7/8
313/16-41/2	1x1/2	1x1



BORE RANGE FOR QTL BUSHING

Bush. Sym.	Min. Bore	Max. Bore with:		
		Full Keyway	Shallow Keyway	No Keyway
SDS	1/2	15/8	1-15/16	2
SD	1/2	15/8	1-15/16	2
SK	1/2	2-1/8	2-1/2	25/8, 29/16
SF	1/2	2 1/4	2 7/8	2-15/16
E	7/8	2-7/8	3-1/2	—
F	1	3-1/4	3-15/16	4
J	1-1/2	3 13/16	4-1/2	—
M	2	4 11/16	5 1/2	—
N	2-7/16	5 1/16	5-7/8	—
P	2-15/16	5 13/16	7	—

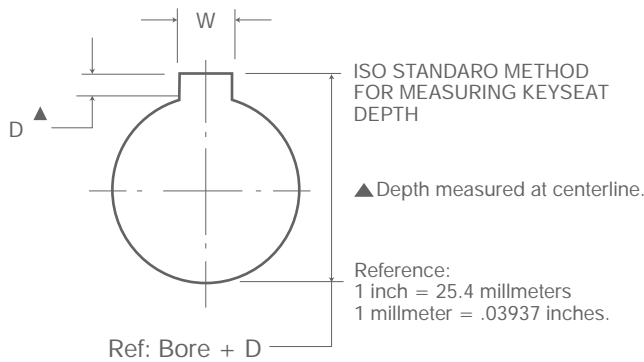
C-1

F = 1 3/8" (34.93mm)

SHEAVE	De	Dp	Bush Max Bore	Bush	Type	Db	E	K	L	M	WT Less Bush
1 C 60 SK	6.40	6.00	25/8	SK	C1	—	9/16	1/8	1 15/16	—	9.4
1 C 70 SF	7.40	7.00	2 15/16	SF	C1	—	9/16	1/8	2 1/16	1/8	9.8
1 C 75 SF	7.90	7.50	2 15/16	SF	C1	—	9/16	1/8	2 1/16	1/8	11.0
1 C 80 SF	8.40	8.00	2 15/16	SF	C1	—	9/16	1/8	2 1/16	1/8	13.0
1 C 85 SF	8.90	8.50	2 15/16	SF	C1	—	9/16	1/8	2 1/16	1/8	13.2
1 C 90 SF	9.40	9.00	2 15/16	SF	C2	5	9/16	1/8	2 1/16	1/8	13.5
1 C 95 SF	9.90	9.50	2 15/16	SF	C3	5	9/16	1/8	2 1/16	1/8	13.8
1 C 100 SF	10.40	10.00	2 15/16	SF	C3	5	9/16	1/8	2 1/16	1/8	14.0
1 C 105 SF	10.90	10.50	2 15/16	SF	C3	5	9/16	1/8	2 1/16	1/8	15.0
1 C 110 SF	11.40	11.00	2 15/16	SF	C3	5	9/16	1/8	2 1/16	1/8	15.8
1 C 120 SF	12.40	12.00	2 15/16	SF	C3	5	9/16	1/8	2 1/16	1/8	17.0
1 C 130 SF	13.40	13.00	2 15/16	SF	C3	5	9/16	1/8	2 1/16	1/8	18.0
1 C 140 SF	14.40	14.00	2 15/16	SF	C3	5	9/16	1/8	2 1/16	1/8	20.0
1 C 150 SF	15.40	15.00	2 15/16	SF	C3	5	9/16	1/8	2 1/16	1/8	21.0
1 C 160 SF	16.40	16.00	2 15/16	SF	C3	5	9/16	1/8	2 1/16	1/8	24.0
1 C 180 SF	18.40	18.00	2 15/16	SF	C3	5	9/16	1/8	2 1/16	1/8	27.0
1 C 200 SF	20.40	20.00	2 15/16	SF	C3	5	9/16	1/8	2 1/16	1/8	31.0
1 C 240 SF	24.40	24.00	2 15/16	SF	C3	5	9/16	1/8	2 1/16	1/8	37.0

STANDARD KEYWAY & KEY DIMENSION

Bores	Key Seat	Key
1/2-9/16	1/8x1/16	1/8x1/8
5/8-7/8	3/16x3/32	3/16x3/16
15/16-1 1/4	1/4x1/8	1/4x1/4
1 5/16-1 3/8	5/16x5/32	5/16x5/16
1 7/16-1 3/4	3/8x3/16	3/8x3/8
1 13/16-2 1/4	1/2x1/4	1/2x1/2
2 5/16-2 3/4	5/8x5/16	5/8x5/8
2 13/16-3 1/4	3/4x3/8	3/4x3/4
3 5/16-3 3/4	7/8x7/16	7/8x7/8
3 13/16-4 1/2	1x1/2	1x1
4 9/16-5 1/2	1 1/4x5/8	1 1/4x1 1/4
5 9/16-6 1/2	1 1/2x3/4	1 1/2x1 1/2
6 9/16-7 1/2	1 3/4x7/8	1 3/4x1 3/4



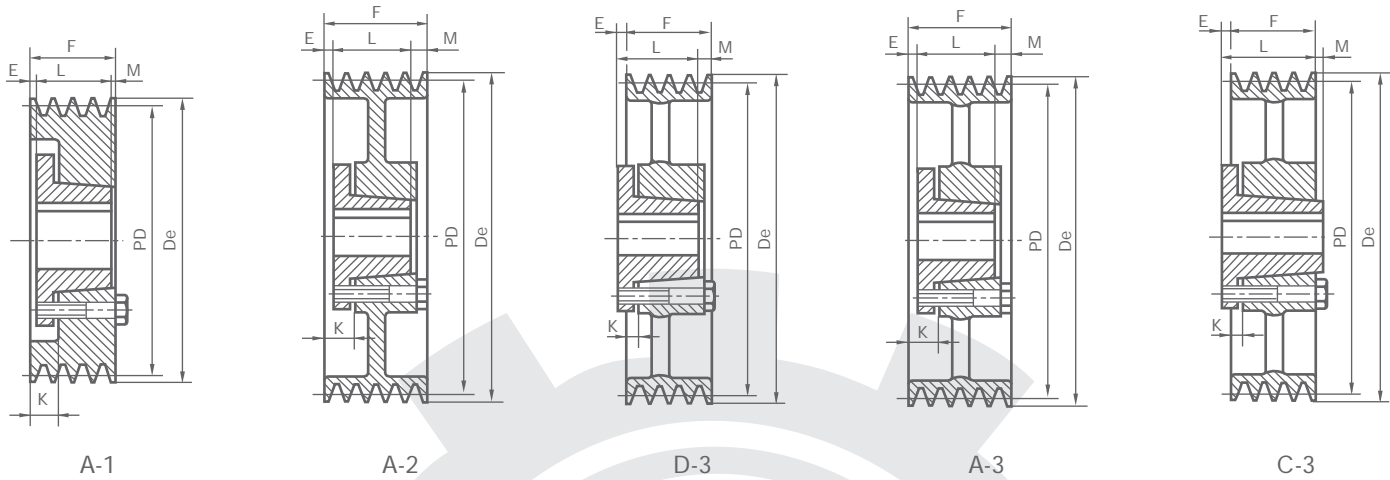
Dimensions: inch

**T_{aper}
B_{ore}** V-pulleys

A/B-C-D

Cast Iron Sheaves

QTL



C-2

F = 2 3/8" (60.33mm)

SHEAVE	De	Dp	Bush Max Bore	Bush	Type	Db	E	K	L	M	WT Less Bush
2 C 60 SK	6.40	6.00	25/8	SK	A1	—	3/16	7/8	115/16	1/8	8.0
2 C 70 SF	7.40	7.00	215/16	SF	A1	—	1/8	13/16	21/16	3/16	12.0
2 C 75 SF	7.90	7.50	215/16	SF	A1	—	1/8	13/16	21/16	3/16	15.0
2 C 80 SF	8.40	8.00	215/16	SF	A1	—	1/8	13/16	21/16	3/16	16.0
2 C 85 SF	8.90	8.50	215/16	SF	A2	5	1/8	13/16	21/16	3/16	19.0
2 C 90 SF	9.40	9.00	215/16	SF	A2	5	1/8	13/16	21/16	3/16	19.5
2 C 95 SF	9.90	9.50	215/16	SF	A2	5	1/8	13/16	21/16	3/16	21.0
2 C 100 SF	10.40	10.00	215/16	SF	A2	5	1/8	13/16	21/16	3/16	22.0
2 C 105 SF	10.90	10.50	215/16	SF	A2	5	1/8	13/16	21/16	3/16	25.0
2 C 110 SF	11.40	11.00	215/16	SF	A3	5	1/8	13/16	21/16	3/16	26.0
2 C 120 SF	12.40	12.00	215/16	SF	D3	5	1/8	9/16	21/16	7/16	29.0
2 C 130 SF	13.40	13.00	215/16	SF	D3	5	1/8	9/16	21/16	7/16	31.0
2 C 140 SF	14.40	14.00	215/16	SF	D3	5	1/8	9/16	21/16	7/16	35.0
2 C 150 SF	15.40	15.00	215/16	SF	D3	5	1/8	9/16	21/16	7/16	39.0
2 C 160 SF	16.40	16.00	215/16	SF	D3	5	1/8	9/16	21/16	7/16	43.0
2 C 180 SF	18.40	18.00	215/16	SF	D3	5	1/8	9/16	21/16	7/16	48.0
2 C 200 SF	20.40	20.00	215/16	SF	D3	5	1/8	9/16	21/16	7/16	55.0
2 C 240 SF	24.40	24.00	215/16	SF	D3	5	1/8	9/16	21/16	7/16	65.0
2 C 270 F	27.40	27.00	315/16	F	C3	7	11/16	5/16	35/8	9/16	107
2 C 300 F	30.40	30.00	315/16	F	C3	7	11/16	5/16	35/8	9/16	115

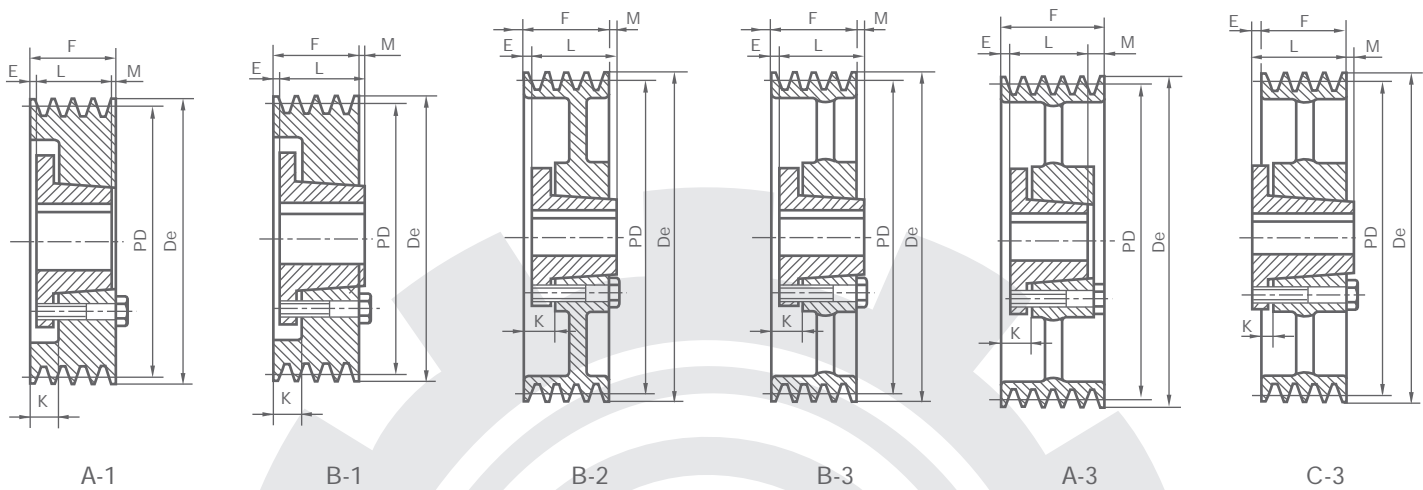
STANDARD KEYWAY & KEY DIMENSION

BORE RANGE FOR QTL BUSHING

Bush. Sym.	Min. Bore	Max. Bore with:		
		Full Keyway	Shallow Keyway	No Keyway
SK	1/2	2-1/8	2-1/2	25/8, 29/16
SF	1/2	21/4	27/8	2-15/16
E	7/8	2-7/8	3-1/2	—
F	1	3-1/4	3-15/16	4
J	1-1/2	313/16	4-1/2	—
M	2	411/16	51/2	—
N	2-7/16	51/16	5-7/8	—
P	2-15/16	513/16	7	—

Bores	Key Seat	Key
1/2-9/16	1/8x1/16	1/8x1/8
5/8-7/8	3/16x3/32	3/16x3/16
15/16-11/4	1/4x1/8	1/4x1/4
15/16-13/8	5/16x5/32	5/16x5/16
17/16-13/4	3/8x3/16	3/8x3/8
113/16-21/4	1/2x1/4	1/2x1/2
25/16-23/4	5/8x5/16	5/8x5/8
213/16-31/4	3/4x3/8	3/4x3/4
35/16-33/4	7/8x7/16	7/8x7/8
313/16-41/2	1x1/2	1x1
49/16-51/2	11/4x5/8	11/4x11/4
59/16-61/2	11/2x3/4	11/2x11/2
69/16-71/2	13/4x7/8	13/4x13/4

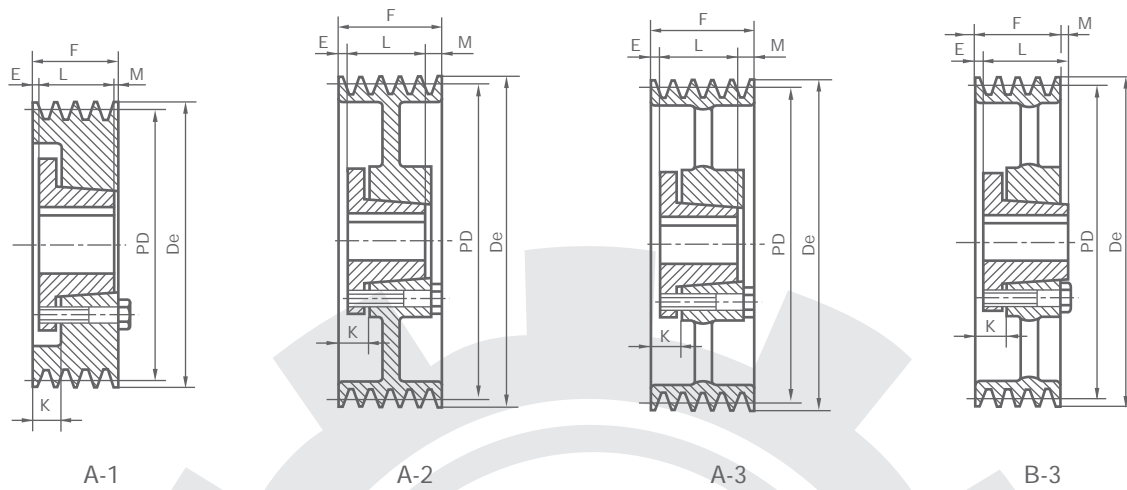
Dimensions: inch



C-3

F = 3 3/8" (85.73mm)

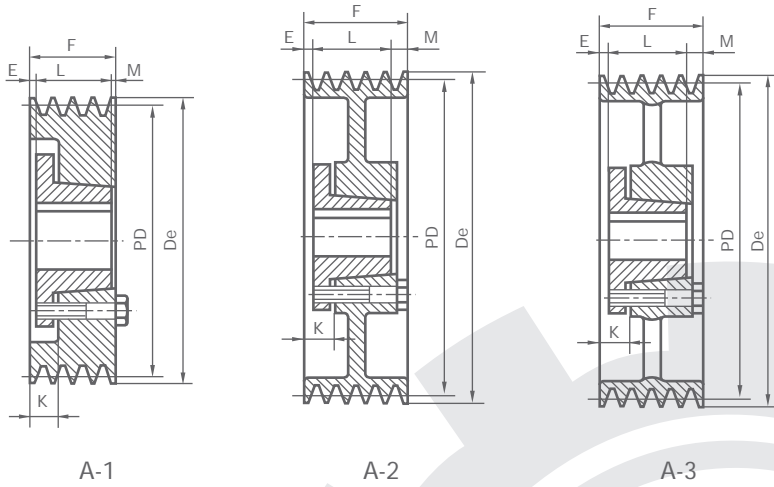
SHEAVE	De	Dp	Bush Max Bore	Bush	Type	Db	E	K	L	M	WT Less Bush
3 C 50 SD	5.40	5.00	2	SD	A1	—	5/8	1 1/4	1 13/16	15/16	8.0
3 C 54 SD	5.80	5.40	2	SD	A1	—	11/16	15/16	1 13/16	7/8	9.0
3 C 55 SD	5.90	5.50	2	SD	A1	—	11/16	15/16	1 13/16	7/8	10
3 C 56 SD	6.00	5.60	2	SD	A1	—	11/16	15/16	1 13/16	7/8	11
3 C 60 SK	6.40	6.00	2 5/8	SK	A1	—	3/16	7/8	1 15/16	1 1/8	12
3 C 70 SF	7.40	7.00	2 15/16	SF	A1	—	5/8	1 5/16	2 1/16	1 1/16	14
3 C 75 SF	7.90	7.50	2 15/16	SF	A1	—	5/8	1 5/16	2 1/16	1 1/16	17
3 C 80 E	8.40	8.00	3 1/2	E	B1	—	7/8	1 3/4	2 5/8	1/8	19
3 C 85 E	8.90	8.50	3 1/2	E	B1	—	7/8	1 3/4	2 5/8	1/8	22
3 C 90 E	9.40	9.00	3 1/2	E	B1	—	7/8	1 3/4	2 5/8	1/8	26
3 C 95 E	9.90	9.50	3 1/2	E	B1	—	7/8	1 3/4	2 5/8	1/8	29
3 C 100 E	10.40	10.00	3 1/2	E	B2	6 1/4	7/8	1 3/4	2 5/8	1/8	31
3 C 105 E	10.90	10.50	3 1/2	E	B2	6 1/4	7/8	1 3/4	2 5/8	1/8	35
3 C 110 E	11.40	11.00	3 1/2	E	B2	6 1/4	7/8	1 3/4	2 5/8	1/8	38
3 C 120 E	12.40	12.00	3 1/2	E	B3	6 1/4	7/8	1 3/4	2 5/8	1/8	40
3 C 130 E	13.40	13.00	3 1/2	E	B3	6 1/4	7/8	1 3/4	2 5/8	1/8	43
3 C 140 E	14.40	14.00	3 1/2	E	B3	6 1/4	7/8	1 3/4	2 5/8	1/8	46
3 C 150 E	15.40	15.00	3 1/2	E	B3	6 1/4	7/8	1 3/4	2 5/8	1/8	52
3 C 160 E	16.40	16.00	3 1/2	E	B3	6 1/4	7/8	1 3/4	2 5/8	1/8	58
3 C 180 E	18.40	18.00	3 1/2	E	B3	6 1/4	7/8	1 3/4	2 5/8	1/8	67
3 C 200 E	20.40	20.00	3 1/2	E	A3	6 1/4	7/8	1	2 5/8	5/8	70
3 C 240 E	24.40	24.00	3 1/2	E	A3	6 1/4	7/8	1	2 5/8	5/8	90
3 C 270 F	27.40	27.00	3 15/16	F	C3	7	3/16	13/16	3 5/8	1/16	124
3 C 300 F	30.40	30.00	3 15/16	F	C3	7	3/16	13/16	3 5/8	1/16	130
3 C 360 F	36.40	36.00	3 15/16	F	C3	7	3/16	13/16	3 5/8	1/16	166
3 C 440 F	44.40	44.00	3 15/16	F	C3	7	3/16	13/16	3 5/8	1/16	208
3 C 500 F	50.40	50.00	3 15/16	F	C3	7	3/16	13/16	3 5/8	1/16	250



C-4

F = 4 3/8" (111.13mm)

SHEAVE	De	Dp	Bush Max Bore	Bush	Type	Db	E	K	L	M	WT Less Bush
4 C 50 SD	5.40	5.00	2	SD	A1	—	5/8	1 1/4	1 13/16	1 15/16	10.0
4 C 54 SD	5.80	5.40	2	SD	A1	—	1 1/16	1 5/16	1 13/16	1 7/8	12.0
4 C 55 SD	5.90	5.50	2	SD	A1	—	1 1/16	1 5/16	1 13/16	1 7/8	12.4
4 C 56 SD	6.00	5.60	2	SD	A1	—	1 1/16	1 5/16	1 13/16	1 7/8	12.6
4 C 60 SK	6.40	6.00	2 5/8	SK	A1	—	3/16	7/8	1 15/16	2 1/8	12.8
4 C 70 SF	7.40	7.00	2 15/16	SF	A2	5	7/8	1 9/16	2 1/16	1 7/16	13.0
4 C 75 SF	7.90	7.50	2 15/16	SF	A2	5	7/8	1 9/16	2 1/16	1 7/16	19.0
4 C 80 E	8.40	8.00	3 1/2	E	A1	—	1 1/8	2	2 5/8	5/8	24.0
4 C 85 E	8.90	8.50	3 1/2	E	A1	—	1 1/8	2	2 5/8	5/8	27.0
4 C 90 E	9.40	9.00	3 1/2	E	A1	—	1 1/8	2	2 5/8	5/8	30.0
4 C 95 E	9.90	9.50	3 1/2	E	A1	—	1 1/8	2	2 5/8	5/8	33.0
4 C 100 E	10.40	10.00	3 1/2	E	A2	6 1/4	1 1/8	2	2 5/8	5/8	35.0
4 C 105 E	10.90	10.50	3 1/2	E	A2	6 1/4	1 1/8	2	2 5/8	5/8	40.0
4 C 110 E	11.40	11.00	3 1/2	E	A2	6 1/4	1 1/8	2	2 5/8	5/8	45.0
4 C 120 E	12.40	12.00	3 1/2	E	A2	6 1/4	1 1/8	2	2 5/8	5/8	48.0
4 C 130 E	13.40	13.00	3 1/2	E	A3	6 1/4	1 1/8	2	2 5/8	5/8	49.0
4 C 140 E	14.40	14.00	3 1/2	E	A3	6 1/4	1 1/8	2	2 5/8	5/8	56.0
4 C 150 E	15.40	15.00	3 1/2	E	A3	6 1/4	1 1/8	2	2 5/8	5/8	62.0
4 C 160 E	16.40	16.00	3 1/2	E	A3	6 1/4	1 1/8	2	2 5/8	5/8	68.0
4 C 180 E	18.40	18.00	3 1/2	E	A3	6 1/4	1 1/8	2	2 5/8	5/8	74.0
4 C 200 E	20.40	20.00	3 1/2	E	A3	6 1/4	5/8	1 1/2	2 5/8	1 1/8	81.0
4 C 240 F	24.40	24.00	3 15/16	F	A3	7	5/16	1 5/16	3 5/8	7/16	120
4 C 270 F	27.40	27.00	3 15/16	F	A3	7	5/16	1 5/16	3 5/8	7/16	138
4 C 300 F	30.40	30.00	3 15/16	F	A3	7	5/16	1 5/16	3 5/8	7/16	166
4 C 360 F	36.40	36.00	3 15/16	F	A3	7	5/16	1 5/16	3 5/8	7/16	176
4 C 440 J	44.40	44.00	4 1/2	J	B3	7 3/4	3/8	1 9/16	4 1/2	1/2	254
4 C 500 J	50.40	50.00	4 1/2	J	B3	7 3/4	3/8	1 9/16	4 1/2	1/2	318



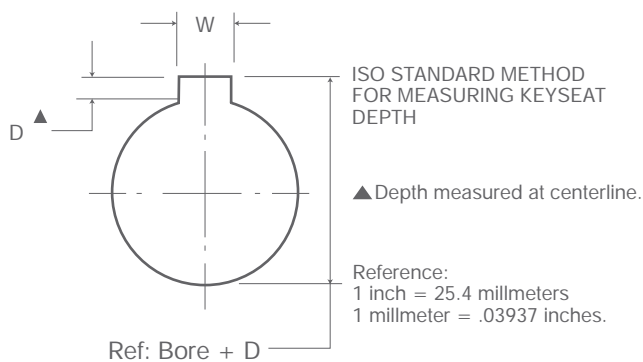
BORE RANGE FOR QTL BUSHING

Bush. Sym.	Min. Bore	Max. Bore with:		
		Full Keyway	Shallow Keyway	No Keyway
SF	1/2	2 1/4	2 7/8	2-15/16
E	7/8	2-7/8	3-1/2	—
F	1	3-1/4	3-15/16	4
J	1-1/2	3 13/16	4-1/2	—
M	2	4 11/16	5 1/2	—
N	2-7/16	5 1/16	5-7/8	—
P	2-15/16	5 13/16	7	—

C-5

F = 5 3/8" (136.53mm)

SHEAVE	De	Dp	Bush Max Bore	Bush	Type	Db	E	K	L	M	WT Less Bush
5 C 60 SK	6.40	6.00	25/8	SK	A1	—	3/16	7/8	1 15/16	3/8	14
5 C 70 SF	7.40	7.00	2 15/16	SF	A1	—	1/4	1 15/16	2 1/16	2 1/16	19
5 C 75 SF	7.90	7.50	2 15/16	SF	A1	—	1/4	1 15/16	2 1/16	2 1/16	22
5 C 80 E	8.40	8.00	3 1/2	E	A1	—	1 1/2	2 3/8	2 5/8	1 1/4	28
5 C 85 E	8.90	8.50	3 1/2	E	A1	—	1 1/2	2 3/8	2 5/8	1 1/4	31
5 C 90 E	9.40	9.00	3 1/2	E	A1	—	1 1/2	2 3/8	2 5/8	1 1/4	32
5 C 95 E	9.90	9.50	3 1/2	E	A1	—	1 1/2	2 3/8	2 5/8	1 1/4	36
5 C 100 E	10.40	10.00	3 1/2	E	A2	6 1/4	1 1/2	2 3/8	2 5/8	1 1/4	38
5 C 105 E	10.90	10.50	3 1/2	E	A2	6 1/4	1 1/2	2 3/8	2 5/8	1 1/4	43
5 C 110 E	11.40	11.00	3 1/2	E	A2	6 1/4	1 1/2	2 3/8	2 5/8	1 1/4	50
5 C 120 E	12.40	12.00	3 1/2	E	A2	6 1/4	1 1/2	2 3/8	2 5/8	1 1/4	55
5 C 130 E	13.40	13.00	3 1/2	E	A3	6 1/4	1 1/2	2 3/8	2 5/8	1 1/4	58
5 C 140 E	14.40	14.00	3 1/2	E	A3	6 1/4	1 1/2	2 3/8	2 5/8	1 1/4	61
5 C 150 E	15.40	15.00	3 1/2	E	A3	6 1/4	1 1/2	2 3/8	2 5/8	1 1/4	69
5 C 160 E	16.40	16.00	3 1/2	E	A3	6 1/4	1 1/2	2 3/8	2 5/8	1 1/4	75
5 C 180 E	18.40	18.00	3 1/2	E	A3	6 1/4	1 1/2	2 3/8	2 5/8	1 1/4	85
5 C 200 F	20.40	20.00	3 15/16	F	A3	7	15/16	1 5/16	3 5/8	1 7/16	108
5 C 240 F	24.40	24.00	3 15/16	F	A3	7	15/16	1 5/16	3 5/8	1 7/16	124
5 C 270 F	27.40	27.00	3 15/16	F	A3	7	15/16	1 5/16	3 5/8	1 7/16	154
5 C 300 F	30.40	30.00	3 15/16	F	A3	7	15/16	1 5/16	3 5/8	1 7/16	174
5 C 360 J	36.40	36.00	4 1/2	J	A3	7 3/4	3/8	1 9/16	4 1/2	1/2	226
5 C 440 J	44.40	44.00	4 1/2	J	A3	7 3/4	3/8	1 9/16	4 1/2	1/2	289
5 C 500 J	50.40	50.00	4 1/2	J	A3	7 3/4	3/8	1 9/16	4 1/2	1/2	316



STANDARD KEYWAY & KEY DIMENSION

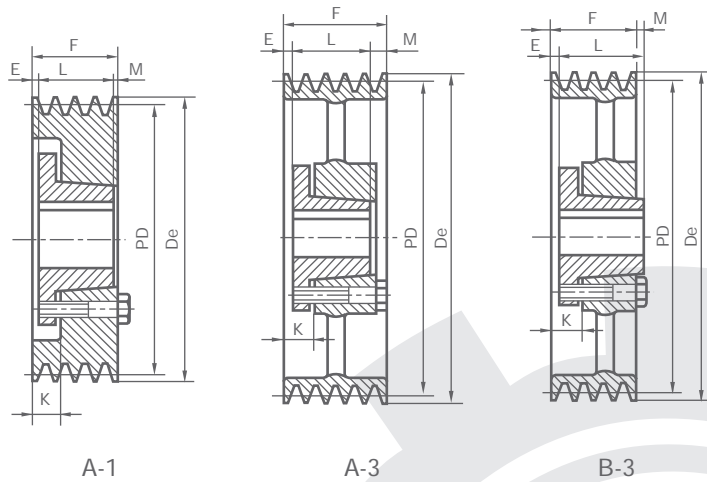
Bores	Key Seat	Key
1/2-9/16	1/8x1/16	1/8x1/8
5/8-7/8	3/16x3/32	3/16x3/16
15/16-1 1/4	1/4x1/8	1/4x1/4
1 5/16-1 3/8	5/16x5/32	5/16x5/16
1 7/16-1 3/4	3/8x3/16	3/8x3/8
1 13/16-2 1/4	1/2x1/4	1/2x1/2
2 5/16-2 3/4	5/8x5/16	5/8x5/8
2 13/16-3 1/4	3/4x3/8	3/4x3/4
3 5/16-3 3/4	7/8x7/16	7/8x7/8
3 13/16-4 1/2	1x1/2	1x1
4 9/16-5 1/2	1 1/4x5/8	1 1/4x1 1/4

**T_{aper}
B_{ore} V-pulleys**

A/B-C-D

Cast Iron Sheaves

QTL



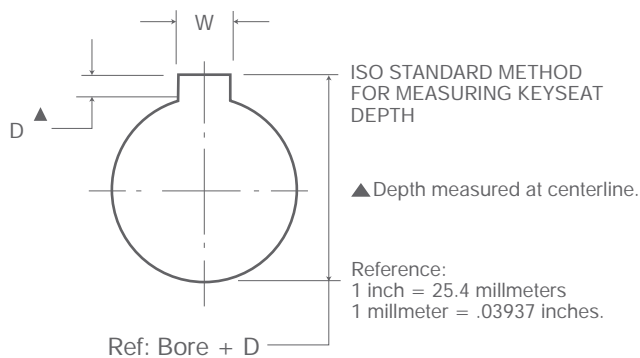
BORE RANGE FOR QTL BUSHING

Bush. Sym.	Min. Bore	Max. Bore with:		
		Full Keyway	Shallow Keyway	No Keyway
SF	1/2	21/4	27/8	2-15/16
E	7/8	2-7/8	3-1/2	—
F	1	3-1/4	3-15/16	4
J	1-1/2	313/16	4-1/2	—
M	2	411/16	51/2	—
N	2-7/16	51/16	5-7/8	—
P	2-15/16	513/16	7	—

C-6

F = 6 3/8" (161.93mm)

SHEAVE	De	Dp	Bush Max Bore	Bush	Type	Db	E	K	L	M	WT Less Bush
6 C 60 SK	6.40	6.00	25/8	SK	A1	—	3/16	7/8	115/16	41/8	16
6 C 70 SF	7.40	7.00	215/16	SF	A1	—	11/4	115/16	21/16	31/16	22
6 C 75 SF	7.90	7.50	215/16	SF	A1	—	11/4	115/16	21/16	31/16	25
6 C 80 E	8.40	8.00	31/2	E	A1	—	11/2	23/8	25/8	21/4	31
6 C 85 E	8.90	8.50	31/2	E	A1	—	11/2	23/8	25/8	21/4	35
6 C 90 F	9.40	9.00	315/16	F	A1	—	17/16	27/16	35/8	15/16	40
6 C 95 F	9.90	9.50	315/16	F	A1	—	17/16	27/16	35/8	15/16	44
6 C 100 F	10.40	10.00	315/16	F	A1	—	17/16	27/16	35/8	15/16	50
6 C 105 F	10.90	10.50	315/16	F	A1	—	17/16	27/16	35/8	15/16	56
6 C 110 F	11.40	11.00	315/16	F	A1	—	17/16	27/16	35/8	15/16	60
6 C 120 F	12.40	12.00	315/16	F	A3	7	17/16	27/16	35/8	15/16	65
6 C 130 F	13.40	13.00	315/16	F	A3	7	17/16	27/16	35/8	15/16	67
6 C 140 F	14.40	14.00	315/16	F	A3	7	17/16	27/16	35/8	15/16	75
6 C 150 F	15.40	15.00	315/16	F	A3	7	17/16	27/16	35/8	15/16	91
6 C 160 F	16.40	16.00	315/16	F	A3	7	17/16	27/16	35/8	15/16	98
6 C 180 F	18.40	18.00	315/16	F	A3	7	17/16	27/16	35/8	15/16	106
6 C 200 F	20.40	20.00	315/16	F	A3	7	15/16	115/16	35/8	113/16	125
6 C 240 F	24.40	24.00	315/16	F	A3	7	15/16	115/16	35/8	113/16	165
6 C 270 J	27.40	27.00	315/16	J	A3	73/4	3/8	19/16	41/2	11/2	190
6 C 300 J	30.40	30.00	41/2	J	A3	73/4	3/8	19/16	41/2	11/2	229
6 C 360 J	36.40	36.00	41/2	J	A3	73/4	3/8	19/16	41/2	11/2	270
6 C 440 J	44.40	44.00	41/2	J	A3	73/4	3/8	19/16	41/2	11/2	301
6 C 500 M	50.40	50.00	51/2	M	B3	91/2	1/2	115/16	63/4	7/8	444



STANDARD KEYWAY & KEY DIMENSION

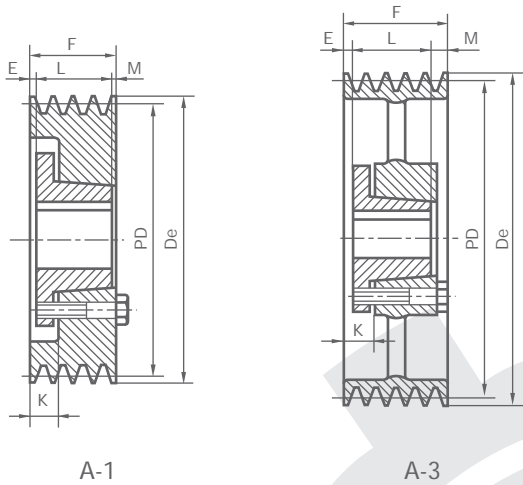
Bores	Key Seat	Key
1/2-9/16	1/8x1/16	1/8x1/8
5/8-7/8	3/16x3/32	3/16x3/16
15/16-11/4	1/4x1/8	1/4x1/4
15/16-13/8	5/16x5/32	5/16x5/16
17/16-13/4	3/8x3/16	3/8x3/8
113/16-21/4	1/2x1/4	1/2x1/2
25/16-23/4	5/8x5/16	5/8x5/8
213/16-31/4	3/4x3/8	3/4x3/4
35/16-33/4	7/8x7/16	7/8x7/8
313/16-41/2	1x1/2	1x1
49/16-51/2	11/4x5/8	11/4x11/4

**T_{aper}
B_{ore}** V-pulleys

A/B-C-D

Cast Iron Sheaves

QTL



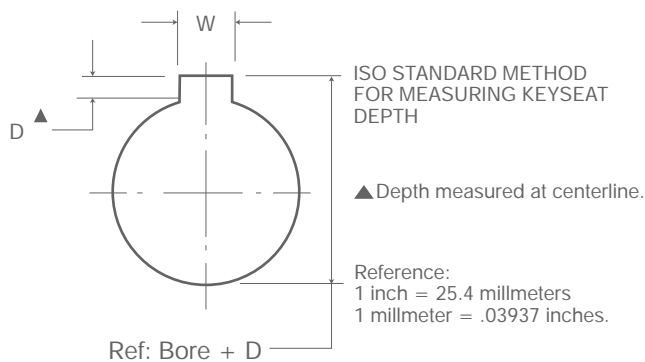
BORE RANGE FOR QTL BUSHING

Bush. Sym.	Min. Bore	Max. Bore with:		
		Full Keyway	Shallow Keyway	No Keyway
SF	1/2	21/4	27/8	2-15/16
E	7/8	2-7/8	3-1/2	—
F	1	3-1/4	3-15/16	4
J	1-1/2	313/16	4-1/2	—
M	2	411/16	51/2	—
N	2-7/16	51/16	5-7/8	—
P	2-15/16	513/16	7	—

C-8

F = 8 3/8" (212.73mm)

SHEAVE	De	Dp	Bush Max Bore	Bush	Type	Db	E	K	L	M	WT Less Bush
8 C 70 SF	7.40	7.00	215/16	SF	A1	—	25/16	3	21/16	4	35
8 C 75 SF	7.90	7.50	215/16	E	A1	—	25/16	3	21/16	4	37
8 C 80 E	8.40	8.00	31/2	E	A1	—	23/8	31/4	25/8	33/8	41
8 C 85 E	8.90	8.50	31/2	E	A1	—	23/8	31/4	25/8	33/8	50
8 C 90 F	9.40	9.00	315/16	F	A1	—	25/16	35/16	35/8	27/16	56
8 C 95 F	9.90	9.50	315/16	F	A1	—	25/16	35/16	35/8	27/16	60
8 C 100 F	10.40	10.00	315/16	F	A1	—	25/16	35/16	35/8	27/16	64
8 C 105 F	10.90	10.50	315/16	F	A1	—	25/16	35/16	35/8	27/16	74
8 C 110 F	11.40	11.00	315/16	F	A1	—	25/16	35/16	35/8	27/16	87
8 C 120 F	12.40	12.00	315/16	F	A1	—	25/16	35/16	35/8	27/16	94
8 C 130 F	13.40	13.00	315/16	F	A3	7	25/16	35/16	35/8	27/16	99
8 C 140 F	14.40	14.00	315/16	F	A3	7	25/16	35/16	35/8	27/16	110
8 C 150 F	15.40	15.00	315/16	F	A3	7	25/16	35/16	35/8	27/16	122
8 C 160 F	16.40	16.00	315/16	F	A3	7	25/16	35/16	35/8	27/16	136
8 C 180 F	18.40	18.00	315/16	F	A3	7	25/16	35/16	35/8	27/16	146
8 C 200 J	20.40	20.00	41/2	J	A3	73/4	3/8	19/16	41/2	31/2	195
8 C 240 J	24.40	24.00	41/2	J	A3	73/4	3/8	19/16	41/2	31/2	216
8 C 270 J	27.40	27.00	41/2	J	A3	73/4	3/8	19/16	41/2	31/2	268
8 C 300 J	30.40	30.00	41/2	J	A3	73/4	3/8	19/16	41/2	31/2	338
8 C 360 M	36.40	36.00	51/2	M	A3	91/2	1/2	115/16	63/4	11/8	413
8 C 440 M	44.40	44.00	51/2	M	A3	91/2	1/2	115/16	63/4	11/8	474
8 C 500 M	50.40	50.00	51/2	M	A3	91/2	1/2	115/16	63/4	11/8	503



STANDARD KEYWAY & KEY DIMENSION

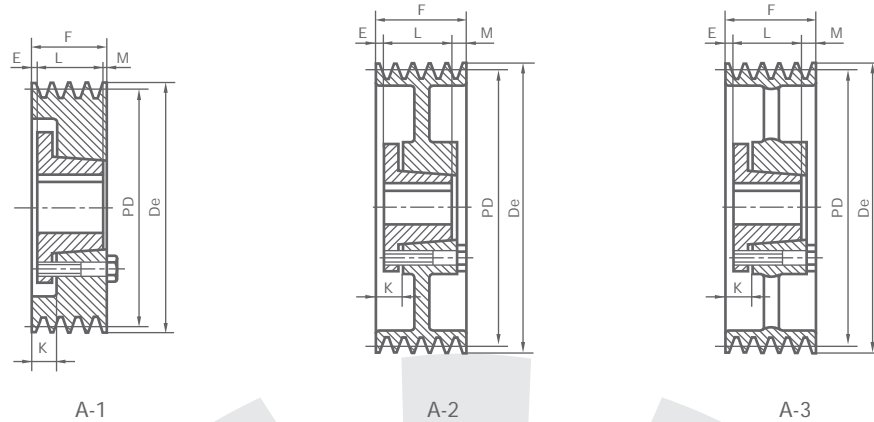
Bores	Key Seat	Key
1/2-9/16	1/8x1/16	1/8x1/8
5/8-7/8	3/16x3/32	3/16x3/16
15/16-11/4	1/4x1/8	1/4x1/4
15/16-13/8	5/16x5/32	5/16x5/16
17/16-13/4	3/8x3/16	3/8x3/8
113/16-21/4	1/2x1/4	1/2x1/2
25/16-23/4	5/8x5/16	5/8x5/8
213/16-31/4	3/4x3/8	3/4x3/4
35/16-33/4	7/8x7/16	7/8x7/8
313/16-41/2	1x1/2	1x1
49/16-51/2	11/4x5/8	11/4x11/4

**T_{aper}
B_{ore}** V-pulleys

A/B-C-D

Cast Iron Sheaves

QTL



C-10

F = 10 3/8" (263.53mm)

SHEAVE	De	Dp	Bush Max Bore	Bush	Type	Db	E	K	L	M	WT Less Bush
10 C 80 E	8.40	8.00	3 1/2	E	A1	—	2 3/8	3 1/4	2 5/8	5 3/8	42
10 C 85 E	8.90	8.50	3 1/2	E	A1	—	2 3/8	3 1/4	2 5/8	5 3/8	48
10 C 90 F	9.40	9.00	3 15/16	F	A1	—	2 3/8	3 9/16	3 5/8	4 3/8	54
10 C 95 J	9.90	9.50	4 1/2	J	A1	—	2 3/8	3 9/16	4 1/2	3 1/2	60
10 C 100 J	10.40	10.00	4 1/2	J	A1	—	2 3/8	3 9/16	4 1/2	3 1/2	68
10 C 105 J	10.90	10.50	4 1/2	J	A1	—	2 3/8	3 9/16	4 1/2	3 1/2	75
10 C 110 J	11.40	11.00	4 1/2	J	A1	—	2 3/8	3 9/16	4 1/2	3 1/2	90
10 C 120 J	12.40	12.00	4 1/2	J	A1	—	2 3/8	3 9/16	4 1/2	3 1/2	106
10 C 130 J	13.40	13.00	4 1/2	J	A2	7 3/4	2 3/8	3 9/16	4 1/2	3 1/2	110
10 C 140 J	14.40	14.00	4 1/2	J	A2	7 3/4	2 3/8	3 9/16	4 1/2	3 1/2	124
10 C 150 J	15.40	15.00	4 1/2	J	A2	7 3/4	2 3/8	3 9/16	4 1/2	3 1/2	138
10 C 160 J	16.40	16.00	4 1/2	J	A3	7 3/4	2 3/8	3 9/16	4 1/2	3 1/2	145
10 C 180 J	18.40	18.00	4 1/2	J	A3	7 3/4	2 3/8	3 9/16	4 1/2	3 1/2	168
10 C 200 J	20.40	20.00	4 1/2	J	A3	7 3/4	2 3/8	3 9/16	4 1/2	3 1/2	182
10 C 240 M	24.40	24.00	5 1/2	M	A3	9 1/2	1/2	1 15/16	6 3/4	3 1/8	272
10 C 300 M	30.40	30.00	5 1/2	M	A3	9 1/2	1/2	1 15/16	6 3/4	3 1/8	355
10 C 360 M	36.40	36.00	5 1/2	M	A3	9 1/2	1/2	1 15/16	6 3/4	3 1/8	455
10 C 440 M	44.40	44.00	5 1/2	M	A3	9 1/2	1/2	1 15/16	6 3/4	3 1/8	544
10 C 500 M	50.40	50.00	5 1/2	M	A3	9 1/2	1/2	1 15/16	6 3/4	3 1/8	622

C-12

F = 12 3/8" (314.33mm)

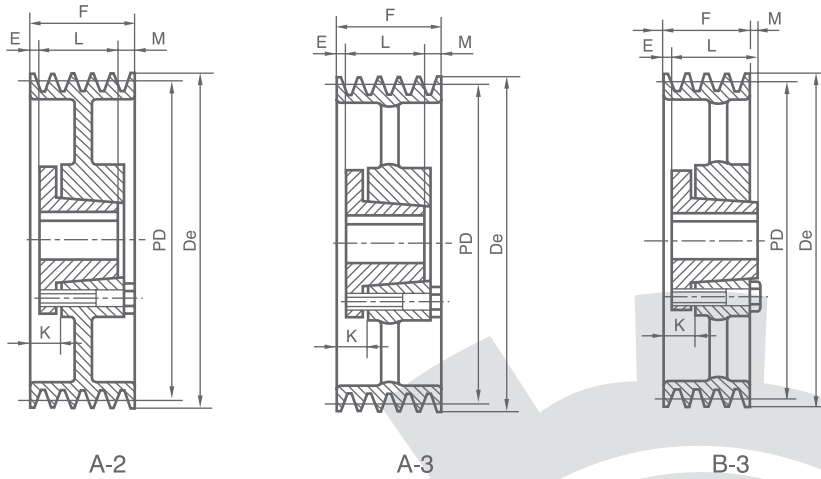
SHEAVE	De	Dp	Bush Max Bore	Bush	Type	Db	E	K	L	M	WT Less Bush
12 C 90 F	9.40	9.00	3 15/16	F	A1	—	2 7/8	4 1/16	3 5/8	5 7/8	63
12 C 95 J	9.90	9.50	4 1/2	J	A1	—	2 7/8	4 1/16	4 1/2	5	75
12 C 100 J	10.40	10.00	4 1/2	J	A1	—	2 7/8	4 1/16	4 1/2	5	84
12 C 105 J	10.90	10.50	4 1/2	J	A1	—	2 7/8	4 1/16	4 1/2	5	89
12 C 110 J	11.40	11.00	4 1/2	J	A1	—	2 7/8	4 1/16	4 1/2	5	97
12 C 120 J	12.40	12.00	4 1/2	J	A1	—	2 7/8	4 1/16	4 1/2	5	119
12 C 130 J	13.40	13.00	4 1/2	J	A2	7 3/4	2 7/8	4 1/16	4 1/2	5	125
12 C 140 J	14.40	14.00	4 1/2	J	A2	7 3/4	2 7/8	4 1/16	4 1/2	5	139
12 C 150 J	15.40	15.00	4 1/2	J	A2	7 3/4	2 7/8	4 1/16	4 1/2	5	156
12 C 160 J	16.40	16.00	4 1/2	J	A3	7 3/4	2 7/8	4 1/16	4 1/2	5	175
12 C 180 J	18.40	18.00	4 1/2	J	A3	7 3/4	2 7/8	4 1/16	4 1/2	5	185
12 C 200 M	20.40	20.00	5 1/2	M	A3	9 1/2	1/2	1 15/16	6 3/4	5 1/8	228
12 C 240 M	24.40	24.00	5 1/2	M	A3	9 1/2	1/2	1 15/16	6 3/4	5 1/8	287
12 C 270 M	27.40	27.00	5 1/2	M	A3	9 1/2	1/2	1 15/16	6 3/4	5 1/8	350
12 C 300 M	30.40	30.00	5 1/2	M	A3	9 1/2	1/2	1 15/16	6 3/4	5 1/8	430
12 C 360 M	36.40	36.00	5 1/2	M	A3	9 1/2	1/2	1 15/16	6 3/4	5 1/8	565
12 C 440 M	44.40	44.00	5 1/2	M	A3	9 1/2	1/2	1 15/16	6 3/4	5 1/8	595
12 C 500 M	50.40	50.00	5 1/2	M	A3	9 1/2	1/2	1 15/16	6 3/4	5 1/8	607

**T_{aper}
B_{ore} V-pulleys**

A/B-C-D

Cast Iron Sheaves

QTL



D-3

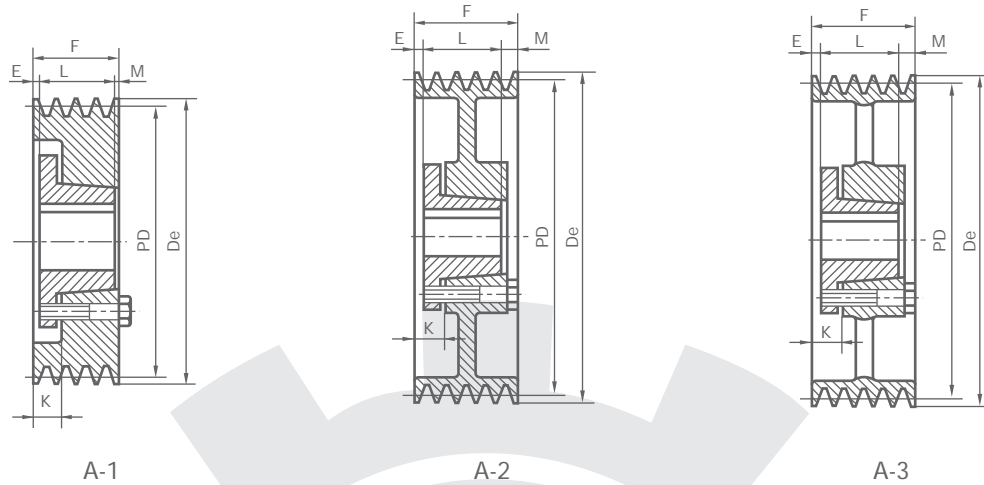
F=4 5/8"(117.48mm)

SHEAVE	De	Dp	Bush Max Bore	Bush	Type	Db	E	K	L	M	WT Less Bush
3 D 120 F	12.60	12.00	3/15/16	F	A2	7	1/2	1 1/2	35/8	1/2	58
3 D 130 F	13.60	13.00	3/15/16	F	A2	7	1/2	1 1/2	35/8	1/2	63
3 D 135 F	14.10	13.50	3/15/16	F	A2	7	1/2	1 1/2	35/8	1/2	68
3 D 140 F	14.60	14.00	3/15/16	F	A2	7	1/2	1 1/2	35/8	1/2	71
3 D 145 F	15.10	14.50	3/15/16	F	A2	7	1/2	1 1/2	35/8	1/2	82
3 D 150 F	15.60	15.00	3/15/16	F	A2	7	1/2	1 1/2	35/8	1/2	86
3 D 155 F	16.10	15.50	3/15/16	F	A2	7	1/2	1 1/2	35/8	1/2	93
3 D 160 F	16.60	16.00	3/15/16	F	A2	7	1/2	1 1/2	35/8	1/2	95
3 D 170 F	17.60	17.00	3/15/16	F	A2	7	1/2	1 1/2	35/8	1/2	99
3 D 180 J	18.60	18.00	4/1/2	J	A3	7 3/4	—	1 3/16	4 1/2	1/8	105
3 D 200 J	20.60	20.00	4/1/2	J	A3	7 3/4	—	1 3/16	4 1/2	1/8	148
3 D 220 J	22.60	22.00	4/1/2	J	A3	7 3/4	—	1 3/16	4 1/2	1/8	164
3 D 270 J	27.60	27.00	4/1/2	J	A3	7 3/4	—	1 3/16	4 1/2	1/8	180
3 D 330 J	33.60	33.00	4/1/2	J	A3	7 3/4	—	1 3/16	4 1/2	1/8	195
3 D 400 J	40.60	40.00	4/1/2	J	A3	7 3/4	—	1 3/16	4 1/2	1/8	260

D-4

F=6 1/16"(153.99mm)

SHEAVE	De	Dp	Bush Max Bore	Bush	Type	Db	E	K	L	M	WT Less Bush
4 D 120 F	12.60	12.00	3/15/16	F	A2	7	15/16	25/16	35/8	1 1/8	68
4 D 130 F	13.60	13.00	3/15/16	F	A2	7	15/16	25/16	35/8	1 1/8	78
4 D 135 F	14.10	13.50	3/15/16	F	A2	7	15/16	25/16	35/8	1 1/8	82
4 D 140 F	14.60	14.00	3/15/16	F	A2	7	15/16	25/16	35/8	1 1/8	91
4 D 145 F	15.10	14.50	3/15/16	F	A2	7	15/16	25/16	35/8	1 1/8	95
4 D 150 F	15.60	15.00	3/15/16	F	A2	7	15/16	25/16	35/8	1 1/8	99
4 D 155 F	16.10	15.50	3/15/16	F	A2	7	15/16	25/16	35/8	1 1/8	111
4 D 160 F	16.60	16.00	3/15/16	F	A2	7	15/16	25/16	35/8	1 1/8	122
4 D 170 J	17.60	17.00	4/1/2	J	A2	7 3/4	13/8	25/16	4 1/2	3/16	136
4 D 180 J	18.60	18.00	4/1/2	J	A3	7 3/4	13/8	25/16	4 1/2	3/16	141
4 D 200 J	20.60	20.00	4/1/2	J	A3	7 3/4	3/8	19/16	4 1/2	13/16	167
4 D 220 J	22.60	22.00	4/1/2	J	A3	7 3/4	3/8	19/16	4 1/2	13/16	183
4 D 270 J	27.60	27.00	4/1/2	J	A3	7 3/4	3/8	19/16	4 1/2	13/16	222
4 D 330 M	33.60	33.00	5/1/2	M	B3	9 1/2	1/2	1 15/16	6 3/4	13/16	315
4 D 400 M	40.60	40.00	5/1/2	M	B3	9 1/2	1/2	1 15/16	6 3/4	13/16	337



D-5

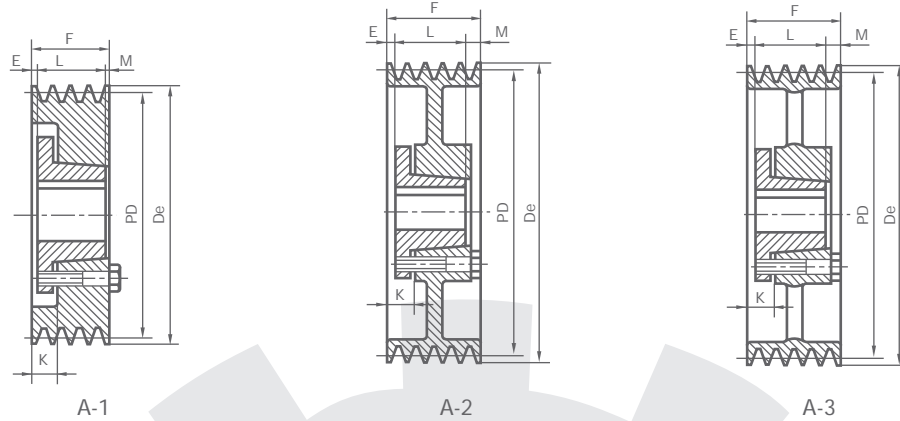
F = 7 1/2" (190.50mm)

SHEAVE	De	Dp	Bush Max Bore	Bush	Type	Db	E	K	L	M	WT Less Bush
5 D 120 F	12.60	12.00	3/15/16	F	A2	7	21/16	31/16	35/8	113/16	87
5 D 130 F	13.60	13.00	3/15/16	F	A2	7	21/16	31/16	35/8	113/16	88
5 D 135 F	14.10	13.50	3/15/16	F	A2	7	21/16	31/16	35/8	113/16	92
5 D 140 F	14.60	14.00	3/15/16	F	A2	7	21/16	31/16	35/8	113/16	96
5 D 145 F	15.10	14.50	3/15/16	F	A2	7	21/16	31/16	35/8	113/16	111
5 D 150 F	15.60	15.00	3/15/16	F	A2	7	21/16	31/16	35/8	113/16	115
5 D 155 F	16.10	15.50	3/15/16	F	A2	7	21/16	31/16	35/8	113/16	121
5 D 160 F	16.60	16.00	3/15/16	F	A2	7	21/16	31/16	35/8	113/16	128
5 D 170 J	17.60	17.00	4/1/2	J	A2	7 3/4	3/8	19/16	4/1/2	25/8	135
5 D 180 J	18.60	18.00	4/1/2	J	A3	7 3/4	3/8	19/16	4/1/2	25/8	148
5 D 200 J	20.60	20.00	4/1/2	J	A3	7 3/4	3/8	19/16	4/1/2	25/8	184
5 D 220 J	22.60	22.00	4/1/2	J	A3	7 3/4	3/8	19/16	4/1/2	25/8	202
5 D 270 M	27.60	27.00	5/1/2	M	A3	9 1/2	1/2	115/16	63/4	1/4	250
5 D 330 M	33.60	33.00	5/1/2	M	A3	9 1/2	1/2	115/16	63/4	1/4	280
5 D 400 M	40.60	40.00	5/1/2	M	A3	9 1/2	1/2	115/16	63/4	1/4	380

D-6

F = 8 15/16" (227.01mm)

SHEAVE	De	Dp	Bush Max Bore	Bush	Type	Db	E	K	L	M	WT Less Bush
6 D 120 J	12.60	12.00	4/1/2	J	A1	—	21/8	35/16	4/1/2	25/16	104
6 D 130 J	13.60	13.00	4/1/2	J	A1	—	21/8	35/16	4/1/2	25/16	122
6 D 135 J	14.10	13.50	4/1/2	J	A1	—	21/8	35/16	4/1/2	25/16	125
6 D 140 J	14.60	14.00	4/1/2	J	A1	—	21/8	35/16	4/1/2	25/16	128
6 D 145 J	15.10	14.50	4/1/2	J	A1	—	21/8	35/16	4/1/2	25/16	130
6 D 150 J	15.60	15.00	4/1/2	J	A2	7 3/4	21/8	35/16	4/1/2	25/16	136
6 D 155 J	16.10	15.50	4/1/2	J	A2	7 3/4	21/8	35/16	4/1/2	25/16	139
6 D 160 J	16.60	16.00	4/1/2	J	A2	7 3/4	21/8	35/16	4/1/2	25/16	141
6 D 170 J	17.60	17.00	4/1/2	J	A2	7 3/4	21/8	35/16	4/1/2	25/16	154
6 D 180 J	18.60	18.00	4/1/2	J	A2	7 3/4	21/8	35/16	4/1/2	25/16	172
6 D 200 J	20.60	20.00	4/1/2	J	A2	7 3/4	21/8	35/16	4/1/2	25/16	183
6 D 220 M	22.60	22.00	5/1/2	M	A2	7 3/4	1/2	115/16	63/4	111/16	272
6 D 270 M	27.60	27.00	5/1/2	M	A3	9 1/2	1/2	115/16	63/4	111/16	280
6 D 330 M	33.60	33.00	5/1/2	M	A3	9 1/2	1/2	115/16	63/4	111/16	356
6 D 400 M	40.60	40.00	5/1/2	M	A3	9 1/2	1/2	115/16	63/4	111/16	415
6 D 440 M	44.60	44.00	5/1/2	M	A3	9 1/2	1/2	115/16	63/4	111/16	536
6 D 480 M	48.60	48.00	5/1/2	M	A3	9 1/2	1/2	115/16	63/4	111/16	572
6 D 580 N	58.60	58.00	6	N	A3	10 1/2	1/2	21/4	81/8	5/16	1006



D-8

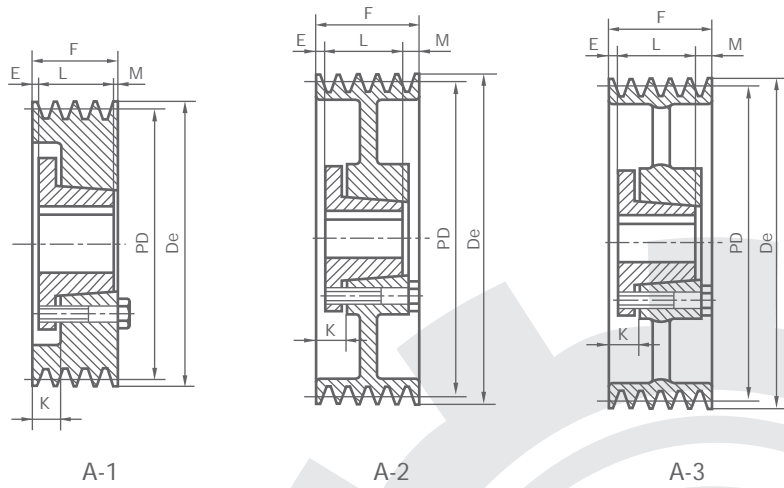
F = 11 13/16" (300.04mm)

SHEAVE	De	Dp	Bush Max Bore	Bush	Type	Db	E	K	L	M	WT Less Bush
8 D 120 J	12.60	12.00	4 1/2	J	A	—	23/8	39/16	4 1/2	4 15/16	126
8 D 130 J	13.60	13.00	4 1/2	J	A1	—	23/8	39/16	4 1/2	4 15/16	147
8 D 135 J	14.10	13.50	4 1/2	J	A1	—	23/8	39/16	4 1/2	4 15/16	150
8 D 140 J	14.60	14.00	4 1/2	J	A1	—	23/8	39/16	4 1/2	4 15/16	155
8 D 145 J	15.10	14.50	4 1/2	J	A1	—	23/8	39/16	4 1/2	4 15/16	160
8 D 150 J	15.60	15.00	4 1/2	J	A2	7 3/4	23/8	39/16	4 1/2	4 15/16	176
8 D 155 J	16.10	15.50	4 1/2	J	A2	7 3/4	23/8	39/16	4 1/2	4 15/16	180
8 D 160 J	16.60	16.00	4 1/2	J	A2	7 3/4	23/8	39/16	4 1/2	4 15/16	200
8 D 170 M	17.60	17.00	5 1/2	M	A1	—	2 1/2	3 15/16	6 3/4	2 9/16	225
8 D 180 M	18.60	18.00	5 1/2	M	A2	9 1/2	2 1/2	3 15/16	6 3/4	2 9/16	250
8 D 200 M	20.60	20.00	5 1/2	M	A2	9 1/2	2 1/2	3 15/16	6 3/4	2 9/16	270
8 D 220 M	22.60	22.00	5 1/2	M	A2	9 1/2	1/2	1 15/16	6 3/4	4 9/16	316
8 D 270 M	27.60	27.00	5 1/2	M	A3	9 1/2	1/2	1 15/16	6 3/4	4 9/16	440
8 D 330 M	33.60	33.00	5 1/2	M	A3	9 1/2	1/2	1 15/16	6 3/4	4 9/16	458
8 D 400 N	40.60	40.00	6	N	A3	10 1/2	1/2	2 1/4	8 1/8	3 9/16	638
8 D 440 N	44.60	44.00	6	N	A3	10 1/2	1/2	2 1/4	8 1/8	3 9/16	616
8 D 480 N	48.60	48.00	6	N	A3	10 1/2	1/2	2 1/4	8 1/8	3 9/16	755
8 D 580 N	58.60	58.00	6	N	A3	10 1/2	1/2	2 1/4	8 1/8	3 9/16	1112

D-10

F = 14 11/16" (373.06mm)

SHEAVE	De	Dp	Bush Max Bore	Bush	Type	Db	E	K	L	M	WT Less Bush
10 D 120 M	12.60	12.00	5 1/2	M	A1	—	2 1/2	3 15/16	6 3/4	5 7/16	158
10 D 130 M	13.60	13.00	5 1/2	M	A1	—	2 1/2	3 15/16	6 3/4	5 7/16	178
10 D 135 M	14.10	13.50	5 1/2	M	A1	—	2 1/2	3 15/16	6 3/4	5 7/16	196
10 D 140 M	14.60	14.00	5 1/2	M	A1	—	2 1/2	3 15/16	6 3/4	5 7/16	207
10 D 145 M	15.10	14.50	5 1/2	M	A1	—	2 1/2	3 15/16	6 3/4	5 7/16	225
10 D 150 M	15.60	15.00	5 1/2	M	A1	—	2 1/2	3 15/16	6 3/4	5 7/16	238
10 D 155 M	16.10	15.50	5 1/2	M	A1	—	2 1/2	3 15/16	6 3/4	5 7/16	260
10 D 160 M	16.60	16.00	5 1/2	M	A1	—	2 1/2	3 15/16	6 3/4	5 7/16	279
10 D 170 M	17.60	17.00	5 1/2	M	A1	—	2 1/2	3 15/16	6 3/4	5 7/16	292
10 D 180 M	18.60	18.00	5 1/2	M	A1	—	2 1/2	3 15/16	6 3/4	5 7/16	330
10 D 200 M	20.60	20.00	5 1/2	M	A2	9 1/2	2 1/2	3 15/16	6 3/4	5 7/16	340
10 D 220 M	22.60	22.00	5 1/2	M	A3	9 1/2	1 1/2	2 15/16	6 3/4	6 7/16	355
10 D 270 M	27.60	27.00	5 1/2	M	A3	9 1/2	1 1/2	2 15/16	6 3/4	6 7/16	398
10 D 330 N	33.60	33.00	6	N	A3	10 1/2	1 1/2	3 1/4	8 1/8	5 1/16	434
10 D 400 N	40.60	40.00	6	N	A3	10 1/2	1 1/2	3 1/4	8 1/8	5 1/16	502
10 D 440 N	44.60	44.00	6	N	A3	10 1/2	1 1/2	3 1/4	8 1/8	5 1/16	727
10 D 480 P	48.60	48.00	6 3/4	P	A3	13	5/8	2 5/8	9 3/8	4 11/16	755
10 D 580 P	58.60	58.00	6 3/4	P	A3	13	5/8	2 5/8	9 3/8	4 11/16	1286



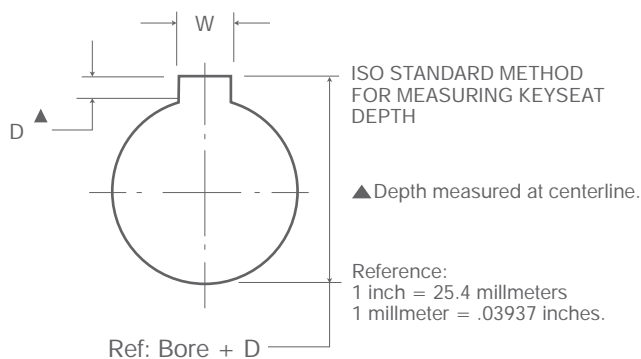
BORE RANGE FOR QTL BUSHING

Bush. Sym.	Min. Bore	Max. Bore with:		
		Full Keyway	Shallow Keyway	No Keyway
SF	1/2	2 1/4	2 7/8	2-15/16
E	7/8	2-7/8	3-1/2	—
F	1	3-1/4	3-15/16	4
J	1-1/2	3 13/16	4-1/2	—
M	2	4 11/16	5 1/2	—
N	2-7/16	5 1/16	5-7/8	—
P	2-15/16	5 13/16	7	—

D-12

F = 17 9/16" (446.09mm)

SHEAVE	De	Dp	Bush Max Bore	Bush	Type	Db	E	K	L	M	WT Less Bush
12 D 120 M	12.60	12.00	5 1/2	M	A1	—	3 1/2	4 15/16	6 3/4	7 5/16	158
12 D 130 M	13.60	13.00	5 1/2	M	A1	—	3 1/2	4 15/16	6 3/4	7 5/16	176
12 D 135 M	14.10	13.50	5 1/2	M	A1	—	3 1/2	4 15/16	6 3/4	7 5/16	219
12 D 140 M	14.60	14.00	5 1/2	M	A1	—	3 1/2	4 15/16	6 3/4	7 5/16	242
12 D 145 M	15.10	14.50	5 1/2	M	A1	—	3 1/2	4 15/16	6 3/4	7 5/16	256
12 D 150 M	15.60	15.00	5 1/2	M	A1	—	3 1/2	4 15/16	6 3/4	7 5/16	266
12 D 155 M	16.10	15.50	5 1/2	M	A1	—	3 1/2	4 15/16	6 3/4	7 5/16	287
12 D 160 M	16.60	16.00	5 1/2	M	A1	—	3 1/2	4 15/16	6 3/4	7 5/16	308
12 D 170 M	17.60	17.00	5 1/2	M	A1	—	3 1/2	4 15/16	6 3/4	7 5/16	325
12 D 180 M	18.60	18.00	5 1/2	M	A1	—	3 1/2	4 15/16	6 3/4	7 5/16	330
12 D 200 M	20.60	20.00	5 1/2	M	A2	9 1/2	3 1/2	4 15/16	6 3/4	7 5/16	340
12 D 220 M	22.60	22.00	5 1/2	M	A2	9 1/2	2 1/2	3 15/16	6 3/4	8 5/16	355
12 D 270 N	27.60	27.00	5 1/2	N	A3	10 1/2	2 1/2	4 1/4	6 3/4	6 15/16	392
12 D 330 N	33.60	33.00	6	N	A3	10 1/2	2 1/2	4 1/4	6 3/4	6 15/16	505
12 D 400 P	40.60	40.00	6 3/4	P	A3	13	5/8	2 5/8	8 1/8	7 9/16	946
12 D 440 P	44.60	44.00	6 3/4	P	A3	13	5/8	2 5/8	8 1/8	7 9/16	1065
12 D 480 P	48.60	48.00	6 3/4	P	A3	13	5/8	2 5/8	8 1/8	7 9/16	1155
12 D 580 P	58.60	58.00	6 3/4	P	A3	13	5/8	2 5/8	8 1/8	7 9/16	1576



STANDARD KEYWAY & KEY DIMENSION

Bores	Key Seat	Key
1 13/16-2 1/4	1/2x1/4	1/2x1/2
2 5/16-2 3/4	5/8x5/16	5/8x5/8
2 13/16-3 1/4	3/4x3/8	3/4x3/4
3 5/16-3 3/4	7/8x7/16	7/8x7/8
3 13/16-4 1/2	1x1/2	1x1
4 9/16-5 1/2	1 1/4x5/8	1 1/4x1 1/4
5 9/16-6 1/2	1 1/2x3/4	1 1/2x1 1/2
6 9/16-7 1/2	1 3/4x7/8	1 3/4x1 3/4

Dimensions: inch

**A^{djustable}
S_{peed}** V-pulleys

Adjustable Speed V-Pulleys are V-Pulleys with multi-usage and adjustable speeds. They are available with standard straight bore and taper lock bore.



Adjustable Speed V-Pulleys are made of GG25 high-quality grey cast iron or other materials requested by the customers. The pulleys are machined by highly precise CNC, dynamically balanced and black coated. They have very high transmitting precision and efficiency.



1VP.2VP Adjustable Speed V-pulleys

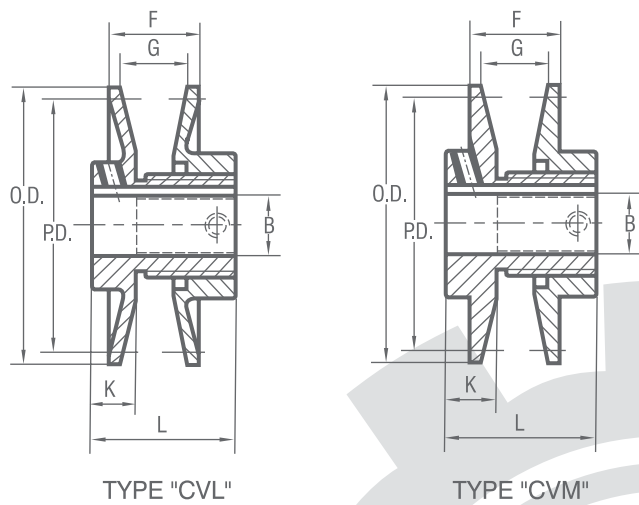


TB Adjustable Speed V-pulleys

**A^{djustable}
S_{peed}** V-pulleys

Cast Iron Sheaves

**F^{inished}
B_{ore}**



Stock "CVL" and "CVM" Variable Pitch Sheaves

Part No.	DIAMETER RANGE												STOCK BORES MARKED "X"			
	"3L" Belts				"4L" or "A" Belts				"5L" or "B" Belts				1/2	5/8	3/4	7/8
	Min. Pitch	Turns Open	Max. Pitch	Turns Open	Min. Pitch	Turns Open	Max. Pitch	Turns Open	Min. Pitch	Turns Open	Max. Pitch	Turns Open				
CVL25	1.6	4	2.4	0	—	—	—	—	—	—	—	—	●	●		
CVL30	1.8	4	2.7	0	—	—	—	—	—	—	—	—	●	●		
CVL34	1.7	4	2.5	0	1.9	5	2.9	0	2.4	5	3.2	1	●	●	●	
CVL40	2.3	4	3.1	0	2.4	5	3.4	0	2.7	6	3.7	1	●	●	●	●
CVL44	2.7	4	3.5	0	2.8	5	4.4	0	3.1	6	4.1	1	●	●	●	●
CVM50	3.3	4	4.1	0	3.4	5	4.4	0	3.7	6	4.7	1	●	●	●	●

do not use "CVL" and "CVM" sheaves with Gripnotch Belt Ratings.

"CVL" Sheaves are machined on essential surfaces only. "CVM" Sheaves are machined all over. Both are furnished with Standard Keyseats and Hollow Head Setscrews and are packaged 20 pieces per carton box.

Dimensions

Part No.	Dimensions							Wt. Lbs.
	OD	F		G		L	K	
		Max.	Min.	Max.	Min.			
CVL25	2.50"	25/32"	17/32"	5/8"	3/8"	1 1/2"	37/64"	.8
CVL30	2.87	25/32	17/32	5/8	3/8	1 1/2	37/64	1.0
CVL34	3.15	1	5/8	7/8	1/2	1 11/16	37/64	1.1
CVL40	3.75	1	5/8	7/8	1/2	1 11/16	37/64	1.3
CVL44	4.15	1	5/8	7/8	1/2	1 11/16	37/64	1.3
CVM50	4.75	1 1/16	11/16	7/8	1/2	1 7/8	21/32	2.8

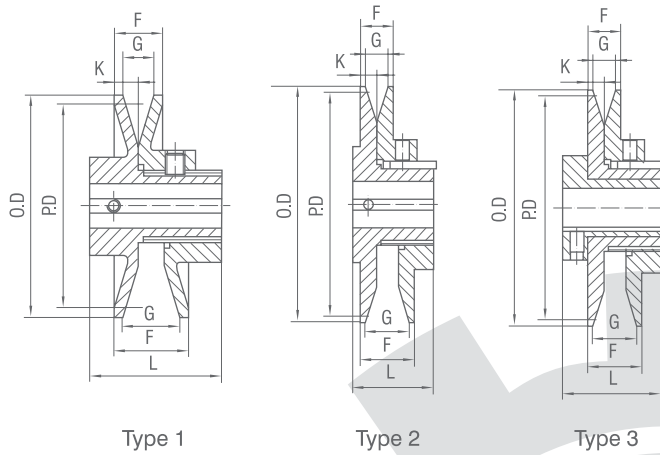
Standard Keyseats

Bore Range	Keyseats
1/2"	None
5/8 to 7/8	3/16" x 3/32"

Adjustable Speed V-pulleys

Cast Iron Sheaves

Finished Bore



Dimensions-Finished Bore

1VP

SPCFCTN	TYPE	O.D	F		G		L	K	Stock Bores Marked "●"							Wt Lbs.		
			Max	Min	Max	Min			1/2	5/8	3/4	7/8	1	1 1/8	1 1/4		1 3/8	1 5/8
1VP25	1	2.50	13/16	9/16	5/8	3/8	1 1/2	5/8	●									0.8
1VP30	1	2.87	13/16	9/16	5/8	3/8	1 21/32	19/32	●	●	●							0.9
1VP34	1	3.15	1	11/16	13/16	1/2	1 7/8	21/32	●	●	●	●						1.2
1VP40	1	3.75	1 1/16	11/16	7/8	1/2	1 7/8	21/32	●	●	●	●						1.7
1VP44A	1	4.15	1 1/16	11/16	7/8	1/2	1 7/8	21/32	●	●	●							1.9
1VP44B	2	4.15	1 1/8	3/4	7/8	1/2	1 7/8	11/16				●	●	●				2.6
1VP50A	1	4.75	1 1/16	11/16	7/8	1/2	2	25/32	●	●	●							1.9
1VP50B	2	4.75	1 1/8	3/4	7/8	1/2	1 7/8	11/16				●	●	●				2.9
1VP56A	1	5.35	1 1/16	11/16	7/8	1/2	1 7/8	21/32	●	●	●							2.7
1VP56B	2	5.35	1 1/8	3/4	7/8	1/2	1 7/8	11/16				●	●	●				3.4
1VP60	2	6.00	1 1/4	7/8	1 1/32	21/32	1 21/32	7/16		●	●			●		●		5.5
1VP60A	3	6.00	1 1/4	7/8	1 1/32	21/32	2 5/32	15/16								●		5.3
1VP62	2	5.95	1 1/8	3/4	7/8	1/2	1 29/32	21/32		●	●	●	●	●	●			5.7
1VP65	2	6.50	1 1/4	7/8	1 1/32	21/32	1 21/32	7/16			●	●		●		●		5.8
1VP65A	3	6.50	1 1/4	7/8	1 1/32	21/32	2 5/32	15/16								●		5.5
1VP68	2	6.55	1 1/8	3/4	7/8	1/2	1 29/32	21/32		●	●	●	●	●	●			6.4
1VP71	2	7.10	1 1/4	7/8	1 1/32	21/32	1 21/32	7/16			●	●		●		●		6.8
1VP71A	3	7.10	1 1/4	7/8	1 1/32	21/32	2 5/32	15/16								●		6.5
1VP75	2	7.50	1 1/4	7/8	1 1/32	21/32	1 21/32	7/16			●	●		●		●		7.3
1VP75A	3	7.50	1 1/4	7/8	1 1/32	21/32	2 5/32	15/16								●		7.0

Standard Keyseats

NSPT-Adjustable Speed Pulleys with changeable diameters are made of high quality material of cast iron, with protective paint on surface and individual packaging available. They can be on direct use as the installed bores' processing complies with relevant standards.

Bore Range	Keyseats
1/2	
5/8~7/16	3/16X3/32
15/16~1 1/4	1/4X1/8
1 5/16~1 3/8	5/16X5/32
1 7/16~1 9/16	3/8X3/16

A_s
adjustable speed

V-pulleys

F_B
finished bore

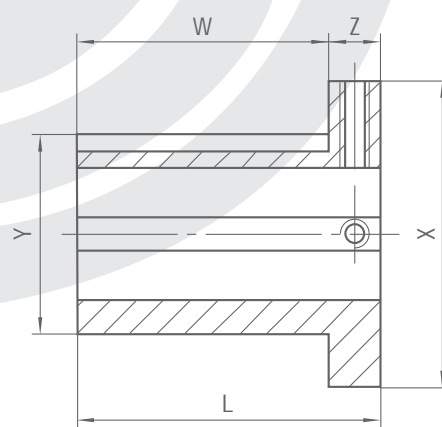
Cast Iron Sheaves

1VP

Single Groove Variable Speed Sheaves for "A", "B", and "5V" Belts

SPCFCTN	TYPE	DIAMETER RANGE															
		3L BELTS				4L or A BELTS				5L or B BELTS				5V BELTS			
		Min Pilch	Turms Open	Max Pilch	Turms Open	Min Pilch	Turms Open	Max Pilch	Turms Open	Min Pilch	Turms Open	Max Pilch	Turms Open	Min Pilch	Turms Open	Max Pilch	Turms Open
1VP25	1	1.6	4	2.4	0												
1VP30	1	1.8	4	2.7	0												
1VP34	1	1.7	4	2.5	0	1.9	5	2.9	0	2.4	5	3.2	1				
1VP40	1	2.3	4	3.1	0	2.4	5	3.4	0	2.7	6	3.7	1				
1VP44	1	2.7	4	3.5	0	2.8	5	3.8	0	3.1	6	4.1	1				
1VP44	2	2.7	4	3.5	0	2.8	5	3.8	0	3.1	6	4.1	1				
1VP50	1	3.3	4	4.1	0	3.4	5	4.4	0	3.7	6	4.7	1				
1VP50	2	3.3	4	4.1	0	3.4	5	4.4	0	3.7	6	4.7	1				
1VP56	1	3.9	4	4.7	0	4.0	5	5.0	0	4.3	6	5.3	1				
1VP56	2	3.9	4	4.7	0	4.0	5	5.0	0	4.3	6	5.3	1				
1VP60	2					4.2	5	5.2	0	4.3	6	5.5	0				
1VP60A	3					4.2	5	5.2	0	4.3	6	5.5	0				
1VP62	2	4.5	4	5.3	0	4.6	5	5.6	0	4.9	6	5.9	1	5.3	6	6.3	1
1VP65	2					4.7	5	5.7	0	4.8	6	6.0	0	5.2	6	6.4	0
1VP65A	3					4.7	5	5.7	0	4.8	6	6.0	0	5.2	6	6.4	0
1VP68	2	5.1	4	5.9	0	5.2	5	6.2	0	5.5	6	6.5	1	5.9	6	6.9	1
1VP71	2					5.3	5	6.3	0	5.4	6	6.6	0	5.8	6	7.0	0
1VP71A	3		5	6.3	0	5.3	6	6.3	0	5.4	6	6.6	0	5.8	6	7.0	0
1VP75	2					5.7	5	6.7	0	5.8	6	7.0	0	6.2	6	7.4	0
1VP75A	3					5.7	5	6.7	0	5.8	6	7.0	0	6.2	6	7.4	0

1VP60A-1VP75A and 2VP60A-2VP75A can be equipped with A2 or A3 adaptors, they can apply to different shaft diameters with changeable inner bore dimensions.



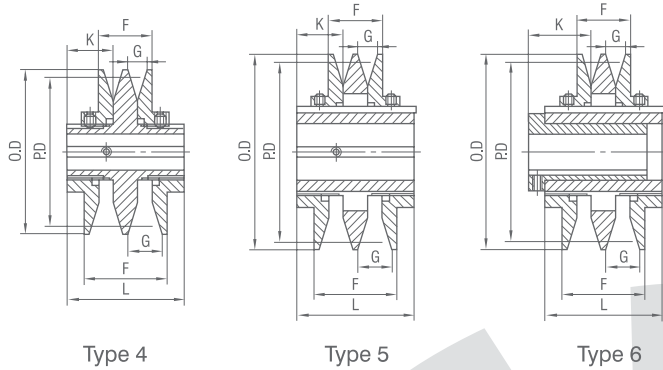
Bushing Dimensions-Finished Bore

Bushings	Bore Rangs	L	W	X	Y	Z	1/2	5/8	3/4	7/8	15/16	1	1 1/16	1 1/8	1 3/16	1 1/4	1 5/16	1 3/8	1 7/16	1 1/2	1 9/16	
A2	1/2 ~ 13/16	1 15/16	1 7/16	2 1/2	1 5/8	1/2	●	●	●	●	●	●		●	●							
	1 1/4 ~ 1 9/16	1 15/16	1 1/2	2 1/2	1 5/8	7/16										●		●	●	●		
A3	3/4 ~ 13/16	2 15/16	2 7/16	2 1/2	1 5/8	1/2			●	●	●	●	●	●	●							
	1 1/4 ~ 1 9/16	2 15/16	2 1/2	2 1/2	1 5/8	7/16										●	●	●	●	●	●	●

A_s ^{djustable}
_{peed} **V-pulleys**

F_B ^{inished}
_{ore}

Cast Iron Sheaves



Dimensions-Finished Bore

2VP

SPCFCTN	TYPE	O.D	F		G		L	K	Stock Bores Marked "●"								Wt Lbs.	
			Max	Min	Max	Min			1/2	5/8	3/4	7/8	1	1 1/8	1 1/4	1 3/8		1 5/8
2VP36	4	3.35	2	1 3/8	13/16	1/2	3	1 3/16	●	●	●	●	●					3.4
2VP42	4	3.95	2 1/8	1 3/8	7/8	1/2	3	1 3/16	●	●	●	●	●					4.4
2VP50	5	4.75	2 1/8	1 3/8	7/8	1/2	3	1 3/16		●	●	●	●	●				6.3
2VP56	5	5.35	2 1/8	1 3/8	7/8	1/2	3	1 3/16		●	●	●	●	●				7.8
2VP60	5	6.00	2 3/8	1 5/8	1 1/32	2 1/32	3 1/4	1 1/4			●	●			●			10.6
2VP60A	6	6.00	2 3/8	1 5/8	1 1/32	2 1/32	3 3/4	1 3/4									●	10.4
2VP62	5	5.95	2 1/8	1 3/8	7/8	1/2	3	1 3/16			●	●	●	●	●			10.0
2VP65	5	6.50	2 3/8	1 5/8	1 1/32	2 1/32	3 1/4	1 1/4			●	●			●			12.3
2VP65A	6	6.50	2 3/8	1 5/8	1 1/32	2 1/32	3 3/4	1 3/4									●	12.0
2VP68	5	6.55	2 1/8	1 3/8	7/8	1/2	3	1 3/16				●	●	●	●			11.7
2VP71	5	7.10	2 3/8	1 5/8	1 1/32	2 1/32	3 1/4	1 1/4			●	●			●			14.6
2VP71A	6	7.10	2 3/8	1 5/8	1 1/32	2 1/32	3 1/4	1 3/4									●	14.4
2VP75	5	7.50	2 3/8	1 5/8	1 1/32	2 1/32	3 1/4	1 1/4			●	●			●			16.5
2VP75A	6	7.50	2 3/8	1 5/8	1 1/32	2 1/32	3 1/4	1 3/4									●	16.3

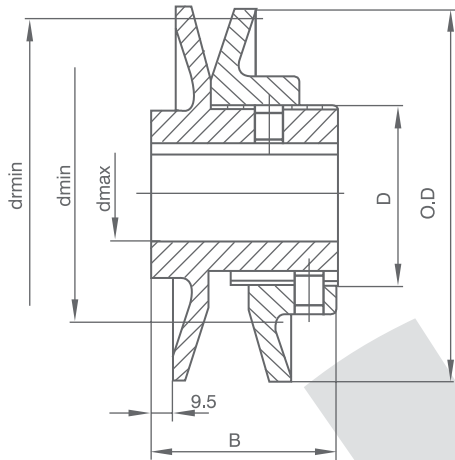
Two Groove Variable Pitch Sheaves for "3L", "4L", "5L", "A", "B", and "5V" Belts

SPCFCTN	TYPE	DIAMETER RANGE															
		3L BELTS				4L OR A BELTS				5L OR B BELTS				5V BELTS			
		Max Pilch	Min Open	Max Pilch	Turms Open	Max Pilch	Min Open	Max Pilch	Turms Open	Max Pilch	Min Open	Max Pilch	Turms Open	Max Pilch	Min Open	Max Pilch	Turms Open
2VP36	4	1.9	4	2.7	0	2.0	5	3.0	0	2.5	5	3.3	1				
2VP42	4	2.5	4	3.3	0	2.6	5	3.6	0	2.9	6	3.9	1				
2VP50	5	3.3	4	4.1	0	3.4	5	4.4	0	3.7	6	4.7	1				
2VP56	5	3.9	4	4.7	0	4.0	5	5.0	0	4.3	6	5.3	1				
2VP60	5					4.2	5	5.2	0	4.3	6	5.5	0				
2VP60A	6					4.2	5	5.2	0	4.3	6	5.5	0				
2VP62	5	4.5	4	5.3	0	4.6	5	5.6	0	4.9	6	5.9	1	5.3	6	6.3	1
2VP65	5					4.7	5	5.7	0	4.8	6	6.0	0	5.2	6	6.4	0
2VP65A	6					4.7	5	5.7	0	4.8	6	6.0	0	5.2	6	6.4	0
2VP68	5	5.1	4	5.9	0	5.2	5	6.2	0	5.5	6	6.5	1	5.9	6	6.9	1
2VP71	5					5.3	5	6.3	0	5.4	6	6.6	0	5.8	6	7.0	0
2VP71A	6					5.3	5	6.3	0	5.4	6	6.6	0	5.8	6	7.0	0
2VP75	5					5.7	5	6.7	0	5.8	6	7.0	0	6.2	6	7.4	0
2VP75A	6					5.7	5	6.7	0	5.8	6	7.0	0	6.2	6	7.4	0

A_s ^{adjustable} _{speed} **V-pulleys**

SB-1
NSPT Standard

Cast Iron Sheaves



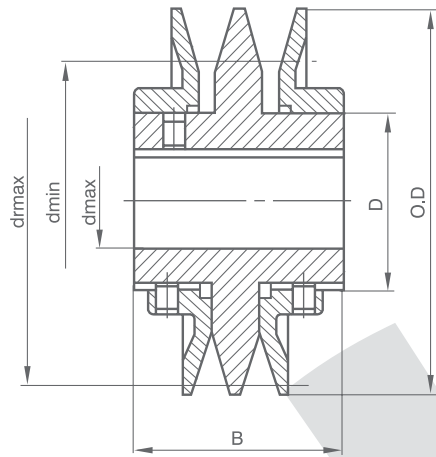
Single Groove Variable Pitch Sheaves for "3L", "4L", "5L", "A", "B", and "5V" Belts

PART NO.	OD	D	Bore max	L	set screws	dr			wt Lbs
						min	max		
SB33-1	3.26	19/16	7/8	17/8	1/4x1/4	2.48	3.11	3V	1.86
						2.25	3.00	3/8x5/16	
SB37-1	3.66	17/8	1	17/8	1/4x1/4	2.65	3.50	3V	2.14
						2.60	3.45	4L/A	
						2.40	3.45	3/8x5/16	
						2.36	3.35	1/2x5/16	
SB42-1	4.25	1 15/16	1 1/8	17/8	1/4x1/4	3.10	3.70	3V	3.42
						3.20	4.05	4L/A	
						2.90	3.68	3/8x5/16	
						2.95	4.00	1/2x5/16	
SB47-1	4.72	2 1/4	1 1/8	17/8	1/4x1/4	3.60	4.20	3V	3.63
						3.70	4.55	4L/A	
						3.40	4.20	3/8x5/16	
						3.50	4.50	1/2x5/16	
SB55-1	5.45	2 1/4	1 1/2	17/8	1/4x1/4	4.30	4.88	3V	5.40
						4.40	5.20	4L/A	
						4.60	5.16	5V/B	
						4.10	4.85	3/8x5/16	
						4.15	5.10	1/2x5/16	
						4.30	5.05	21/32x13/32	
SB63-1	6.30	3 1/8	2 1/16	2 1/16	5/16x5/16	4.70	5.30	3V	9.34
						4.80	5.60	4L/A	
						5.00	6.00	5V/B	
						4.50	5.25	3/8x5/16	
						4.55	5.75	1/2x5/16	
						4.70	5.90	21/32x13/32	
SB71-1	7.10	3 1/8	2 1/16	2 1/16	5/16x5/16	5.55	6.40	4L/A	11.20
						5.75	6.80	5V/B	
						5.30	6.35	1/2x5/16	
						5.50	6.70	21/32x13/32	

A_s ^{adjustable} _{speed} **V-pulleys**

SB-2
NSPT Standard

Cast Iron Sheaves



Single Groove Variable Pitch Sheaves for "3L", "4L", "5L", "A", "B", and "5V" Belts

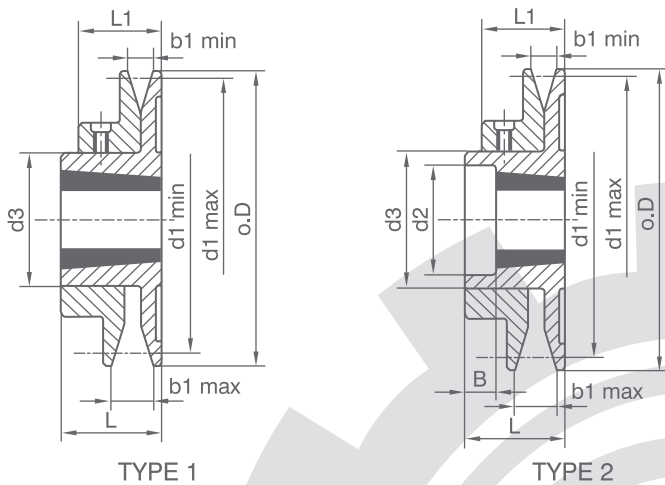
PART NO.	OD	D	Bore max	L	set screws	dr			wt Lbs
						min	max		
SB33-2	3.26	19/16	7/8	3"	1/4x1/4	2.48	3.11	3V	3.10
						2.25	3.00	3/8x5/16	
SB37-2	3.66	1 7/8	1	3"	1/4x1/4	2.65	3.50	3V	3.63
						2.60	3.45	4L/A	
						2.40	3.45	3/8x5/16	
						2.36	3.35	1/2x5/16	
SB42-2	4.25	1 15/16	1 1/8	3"	1/4x1/4	3.10	3.70	3V	4.46
						3.20	4.05	4L/A	
						2.90	3.68	3/8x5/16	
						2.95	4.00	1/2x5/16	
SB47-2	4.72	2 1/4	1 1/8	3"	1/4x1/4	3.60	4.20	3V	5.60
						3.70	4.55	4L/A	
						3.40	4.20	3/8x5/16	
						3.50	4.50	1/2x5/16	
SB55-2	5.45	2 1/4	1 1/2"	3"	1/4x1/4	4.30	4.88	3V	9.34
						4.40	5.20	4L/A	
						4.60	5.16	5V/B	
						4.10	4.85	3/8x5/16	
						4.15	5.10	1/2x5/16	
SB63-2	6.30	3 1/8	2 1/16	3 9/16	5/16x5/16	4.70	5.30	3V	15.60
						4.80	5.60	4L/A	
						5.00	6.00	5V/B	
						4.50	5.25	3/8x5/16	
						4.55	5.75	1/2x5/16	
SB71-2	7.10	3 1/8	2 1/16	3 9/16	5/16x5/16	4.70	5.90	21/32x13/32	19.10
						5.55	6.40	4L/A	
						5.75	6.80	5V/B	
						5.30	6.35	1/2x5/16	
						5.50	6.70	21/32x13/32	

A_s ^{adjustable} _{speed} **V-pulleys**

BTL

Cast Iron Sheaves

NSPT Standard



TB-1

Single Groove Variable Pitch Sheaves for "3L", "4L", "5L", "A", "B", and "5V" Belts

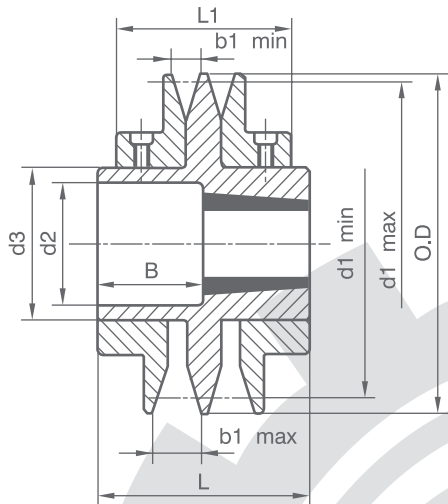
PART NO.	TYPE	BUSH	O.D	L	L1	Bore max	b1		dr		set screws	B	d2	d3	
							min	max	min	max					
TB37-1	2	1108	3.66	17/16	1 1/8	1 1/8	1/2	13/16	2.25 2.32	3.10 3.35	1/4x1/4	9/16	19/16	115/16	3/8x5/16 1/2x5/16
TB42-1	1	1215	4.25	1 1/2	13/16	1 1/4	1/2	13/16	2.68 2.76 2.95 3.00	3.65 4.00 3.70 4.00	1/4x1/7	—	—	23/8	3/8x5/16 1/2x5/16 3V 4L/A
TB47-1	1	1215	4.72	1 1/2	13/16	1 1/4	1/2	13/16	3.15 3.25 3.43 3.46	4.10 4.40 4.15 4.50	1/4x1/7	—	—	23/8	3/8x5/16 1/2x5/16 3V 4L/A
TB55-1	1	1615	5.45	1 1/2	13/16	1 13/16	1/2	13/16	3.86 3.94 4.15 4.20	4.80 5.10 4.85 5.20	1/4x1/4	—	—	3	3/8x5/16 1/2x5/16 3V 4L/A
TB63-1	2	1615	6.30	13/4	17/16	1 13/16	11/16	11/16	4.25 4.40 4.50 4.60	5.45 5.90 5.50 6.00	5/16x5/16	1/4	25/16	3	1/2x5/16 21/32x13/32 4L/A 5V/B
TB71-1	2	2012	7.10	13/4	17/16	1 15/16	11/16	11/16	5.05 5.20 5.30 5.40	6.20 6.70 6.30 6.80	5/16x5/16	1/2	213/16	31/2	1/2x5/16 21/32x13/32 4L/A 5V/B
TB79-1	2	2012	7.90	13/4	17/16	1 15/16	11/16	11/16	5.80 6.00 6.10 6.30	7.00 7.50 7.10 7.60	5/16x5/16	1/2	213/16	31/2	1/2x5/16 21/32x13/32 4L/A 5V/B

A_s ^{djustable}
_{peed} **V-pulleys**

BTL

Cast Iron Sheaves

NSPT Standard



TYPE 3

TB-2

Single Groove Variable Pitch Sheaves for "3L", "4L", "5L", "A", "B", and "5V" Belts

PART NO.	BUSH	O.D	L	L1	dmax	b1		dr		set screws	B	d2	d3	
						min	max	min	max					
TB42-2	1215	4.25	27/8	25/16	1 1/4	1/2	13/16	2.68 2.76 2.95 3.00	3.65 4.00 3.70 4.00	1/4x1/4	13/8	115/16	23/8	3/8x5/16 1/2x5/16 3V 4L/A
TB47-2	1215	4.72	27/8	25/16	1 1/4	1/2	13/16	3.15 3.25 3.43 3.46	4.10 4.40 4.15 4.50	1/4x1/4	13/8	115/16	23/8	3/8x5/16 1/2x5/16 3V 4L/A
TB55-2	1615	5.45	27/8	25/16	1 5/8	1/2	13/16	3.86 3.94 4.15 4.20	4.80 5.10 4.85 5.20	1/4x1/4	13/8	25/16	3	3/8x5/16 1/2x5/16 3V 4L/A
TB63-2	1615	6.30	37/16	211/16	1 5/8	11/16	11/16	4.25 4.40 4.50 4.60	5.45 5.90 5.50 6.00	5/16x5/16	115/16	25/16	3	1/2x5/16 21/32x13/32 4L/A 5V/B
TB71-2	2012	7.10	37/16	211/16	1 15/16	11/16	11/16	5.05 5.20 5.30 5.40	6.20 6.70 6.30 6.80	5/16x5/16	23/16	213/16	31/2	1/2x5/16 21/32x13/32 4L/A 5V/B
TB79-2	2012	7.90	37/16	211/16	1 15/16	11/16	11/16	5.80 6.00 6.10 6.30	7.00 7.50 7.10 7.60	5/16x5/16	23/16	213/16	31/2	1/2x5/16 21/32x13/32 4L/A 5V/B