

Timing Pulleys

The timing pulleys XL-XXH series, 3M-20M, produced by CHSSB have adopted advanced production technology and have high quality. They are truly the first choice for users.



All series of timing pulleys can be sold off-the-shelf for immediate delivery.

The material can be S45C, GG25, FFF40, aluminum, nylon and stainless steel, etc. The surface finish can be black oxide, phosphating, anodization and zinc plating.

Timing Pulleys

P410



S^{tock}
B_{ore} **Timing Pulleys**
XL L H XH XXH

NSPT Standard
Fundamental Designs

P427



T^{aper}
B_{ore} **BTL Timing Pulleys**
L H XH

P432



T^{aper}
B_{ore} **QTL Timing Pulleys**
L H XH XXH

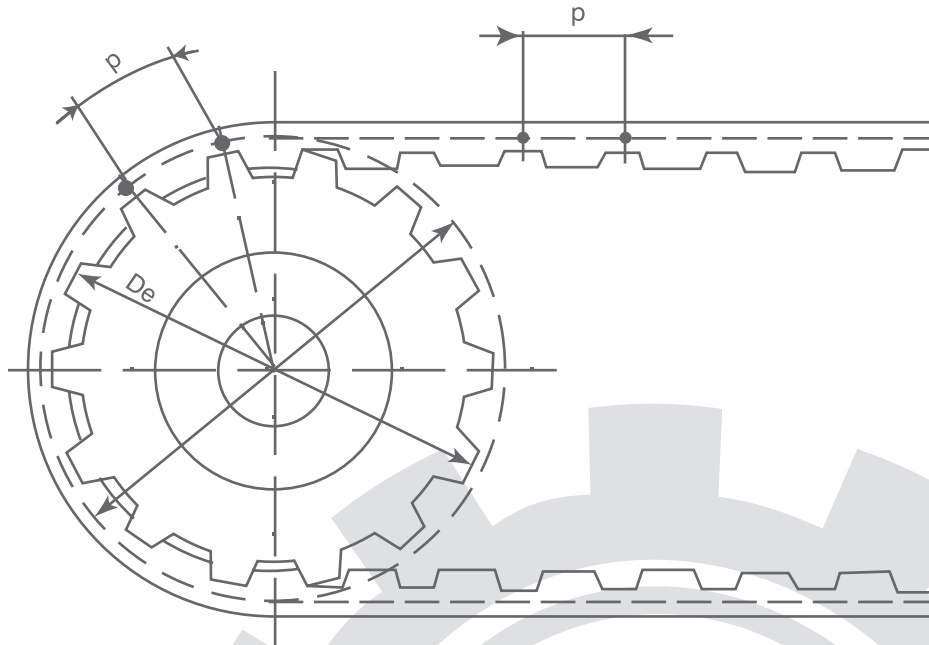
P442



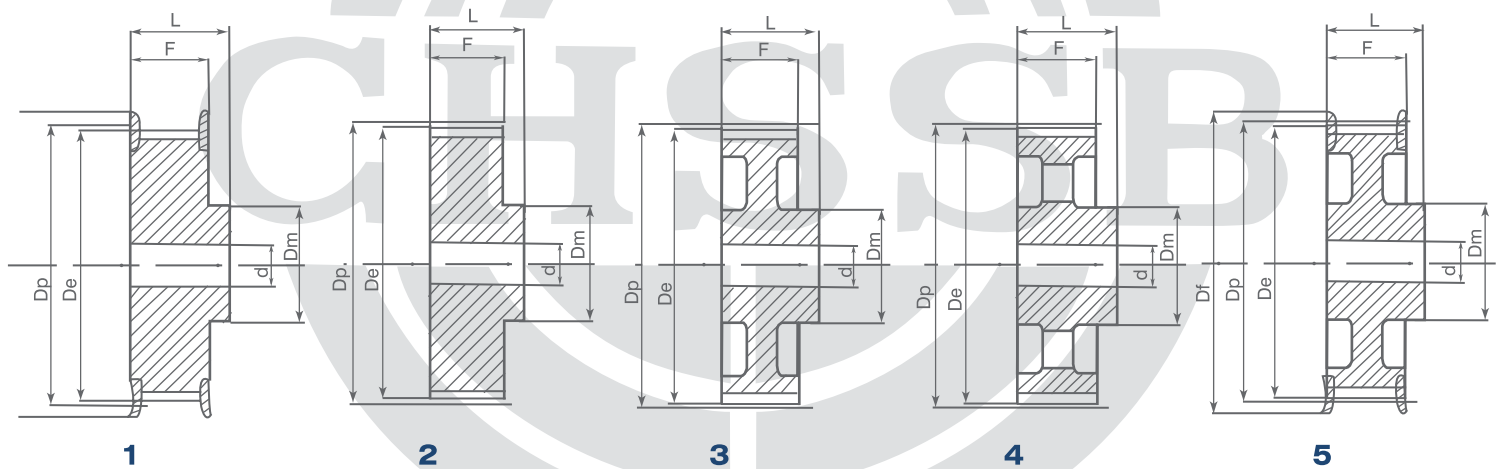
T^{aper}
B_{ore} **STL Timing Pulleys**
L H XH XXH

Timing pulley

ISO5294-1989



TYPE OF BASIC STRUCTURE OF TIMING PULLEY



P = Pitch is the distance between the axes of two adjacent teeth in spite of whether these teeth are on the pulley or the belt provided and measurement is taken on the circumference of pitch line

Z = teeth Number

$$D_p = \frac{P \cdot Z}{\pi}$$

The pitch diameter is obtained from fomula

De = External diameter of pulley $De = D_p - H_f$

Dm = Hub diameter

d = Bore diameter

F = Tooth width

L = Total length including hubs



Timing Pulley

ISO5294-1989

TEETH DIMENSIONS OF TIMING BELT AND ORIGINAL TEETH OUTLINES OF PULLEY

SPECIFICATION OF BELT AND PULLEY	TEETH DIMENSIONS OF BELT	ORIGINAL TEETH OUTLINES OF PULLEY
XL		
L		
H		
XH		
XXH		

MATERIALS USED FOR MAKING PULLEYS

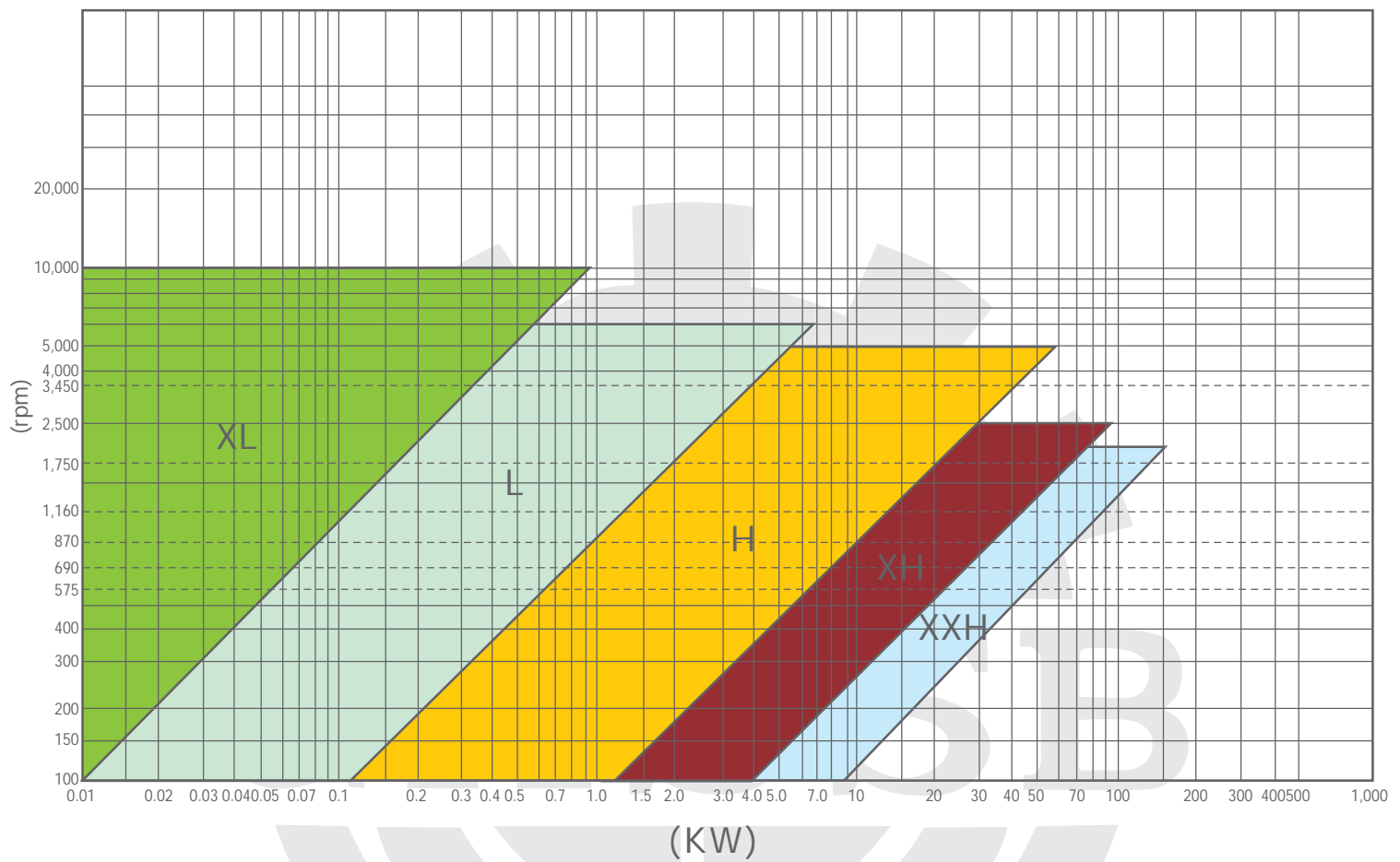
Aluminium UN13571TA16
Suitable for anodic treatment
Steel UNI C45
Cast iron GG25 UNI 5007

The surface treatment of timing belt pulleys is black phosphated (except aluminum material). The timing belt pulleys made of GG25 cast iron should be dynamically balanced. (Grade 6.3)

Timing pulley

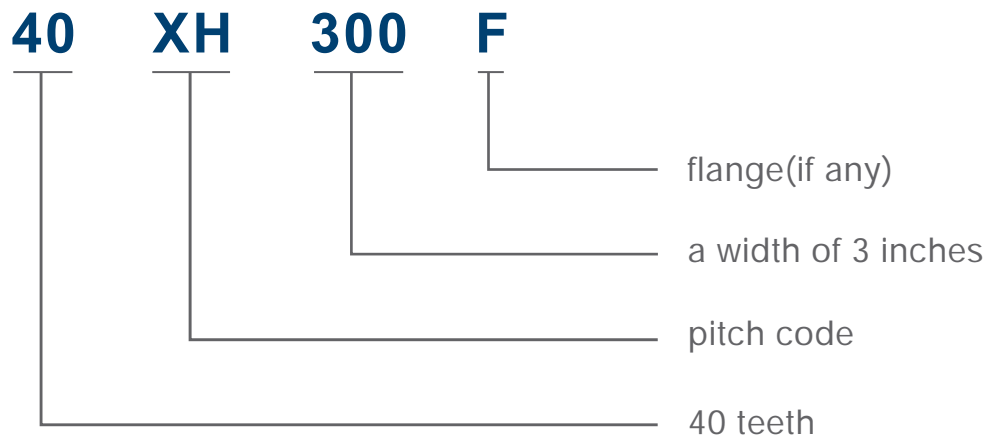
ISO5294-1989

DESIGN HORSEPOWER (HORSEPOWER SERVICE FACTOR)

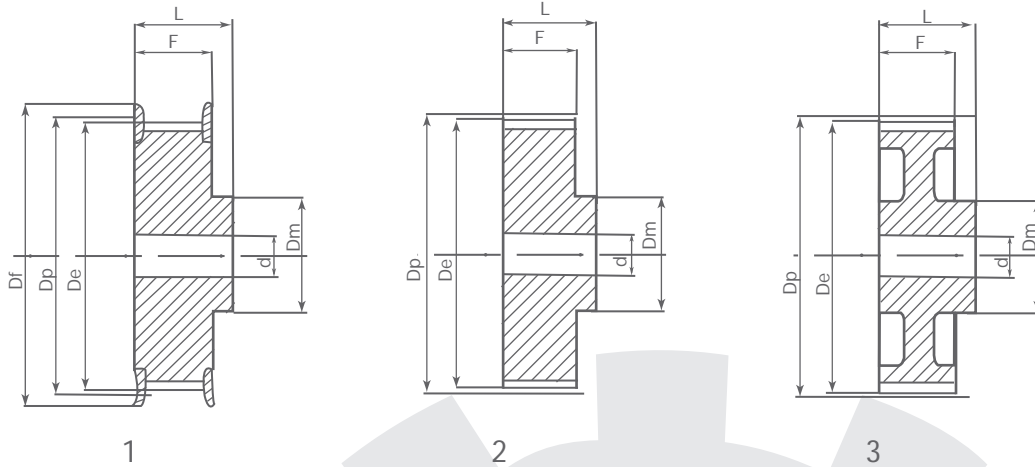


SPECIFICATION AND TYPE FOR TIMING BELT PULLEY

EXAMPLE:



Timing pulley

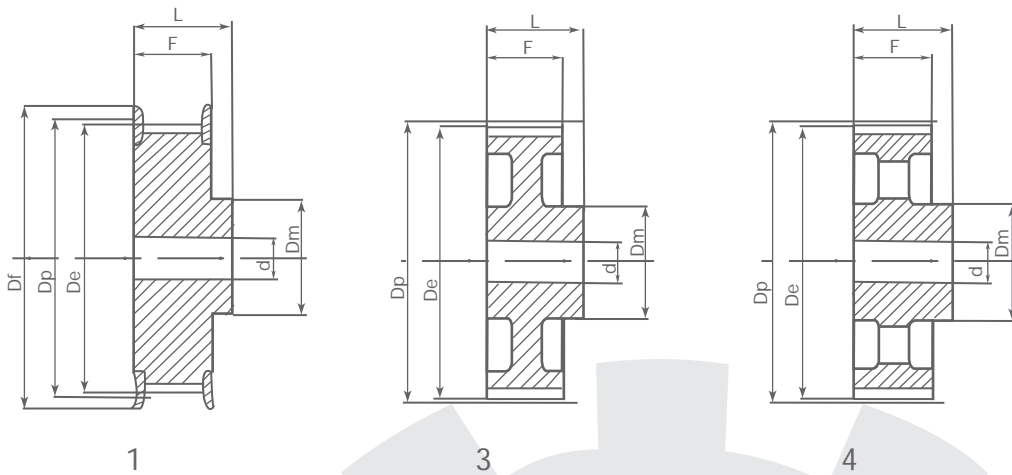


XL037 PITCH 1/5" (5.08mm)

NSPT Standard

SPCFCTN	TYPE	Z	De	Dp	Df	Dm	F	L	Bore	
									stok	Max
10XL037F	1	10	0.617	0.637	15/16	7/16	9/16	13/16	3/16	3/16
11XL037F	1	11	0.680	0.700	15/16	7/16	9/16	13/16	3/16	3/16
12XL037F	1	12	0.744	0.764	1	1/2	9/16	13/16	3/16	1/4
13XL037F	1	13	0.807	0.827	1 1/8	1/2	9/16	13/16	1/4	1/4
14XL037F	1	14	0.871	0.891	1 1/8	9/16	9/16	13/16	1/4	1/4
15XL037F	1	15	0.935	0.955	1 1/8	5/8	9/16	13/16	1/4	5/16
16XL037F	1	16	0.999	1.019	1 1/4	11/16	9/16	13/16	1/4	3/8
17XL037F	1	17	1.062	1.082	1 3/8	13/16	9/16	13/16	1/4	1/2
18XL037F	1	18	1.126	1.146	1 3/8	13/16	9/16	13/16	1/4	1/2
19XL037F	1	19	1.190	1.210	1 1/2	13/16	9/16	29/32	1/4	1/2
20XL037F	1	20	1.253	1.273	1 1/2	15/16	9/16	29/32	1/4	9/16
21XL037F	1	21	1.317	1.337	1 1/2	15/16	9/16	29/32	1/4	9/16
22XL037F	1	22	1.381	1.401	1 5/8	1	9/16	29/32	1/4	5/8
23XL037F	1	23	1.444	1.464	1 5/8	1	9/16	29/32	1/4	5/8
24XL037F	1	24	1.508	1.528	1 3/4	1 1/16	9/16	29/32	1/4	11/16
25XL037F	1	25	1.572	1.592	1 3/4	1 1/16	9/16	29/32	1/4	11/16
26XL037F	1	26	1.635	1.655	1 7/8	1 1/16	9/16	29/32	1/4	11/16
27XL037F	1	27	1.700	1.720	1 7/8	1 3/16	9/16	29/32	1/4	13/16
28XL037F	1	28	1.763	1.783	2	1 3/16	9/16	29/32	1/4	13/16
29XL037F	1	29	1.826	1.846	2	1 3/16	9/16	29/32	1/4	13/16
30XL037F	1	30	1.890	1.910	2 1/8	1 3/8	9/16	29/32	5/16	15/16
32XL037F	1	32	2.017	2.037	2 1/4	1 1/2	9/16	1	5/16	1
34XL037F	1	34	2.144	2.164	2 7/16	1 1/2	9/16	1	5/16	1
35XL037F	1	35	2.208	2.228	2 7/16	1 1/2	9/16	1	5/16	1
36XL037	2	36	2.272	2.292	—	1 1/2	9/16	1	5/16	1
38XL037	2	38	2.400	2.420	—	1 1/2	9/16	1	5/16	1
39XL037	2	39	2.463	2.483	—	1 1/2	9/16	1	5/16	1
40XL037	2	40	2.526	2.546	—	1 1/2	9/16	1	5/16	1
42XL037	2	42	2.654	2.674	—	1 1/2	9/16	1	5/16	1
44XL037	2	44	2.781	2.801	—	1 1/2	9/16	1	5/16	1
45XL037	2	45	2.845	2.865	—	1 1/2	9/16	1	5/16	1
48XL037	3	48	3.036	3.056	—	1 1/2	9/16	1	5/16	1
52XL037	3	52	3.291	3.311	—	1 1/2	9/16	1	3/8	1
56XL037	3	56	3.545	3.565	—	1 1/2	9/16	1	3/8	1
57XL037	3	57	3.609	3.629	—	1 1/2	9/16	1	3/8	1
60XL037	3	60	3.800	3.820	—	1 1/2	9/16	1	3/8	1
68XL037	3	68	4.309	4.329	—	1 1/2	9/16	1	3/8	1
70XL037	3	70	4.436	4.456	—	1 1/2	9/16	1	3/8	1
72XL037	3	72	4.564	4.584	—	1 1/2	9/16	1	3/8	1

Timing pulley

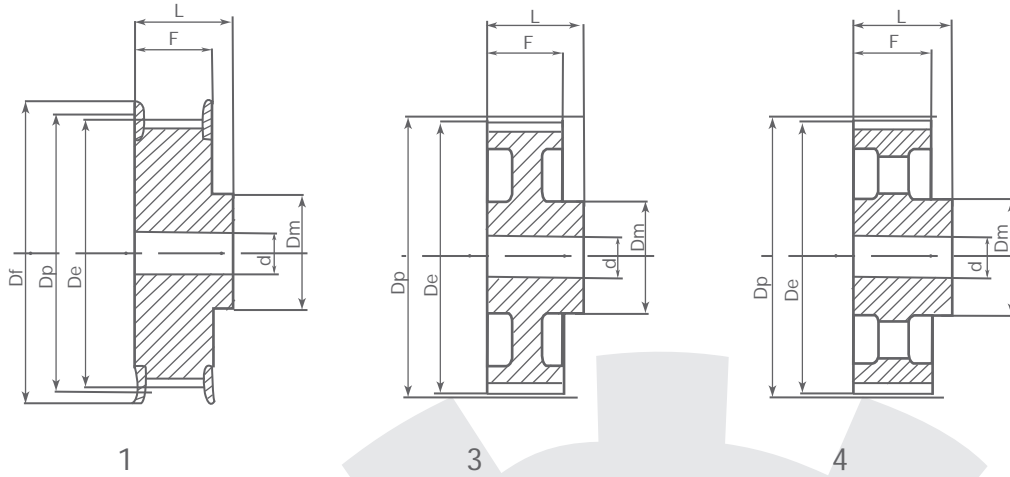


L050 PITCH 3/8" (9.525mm)

NSPT Standard

SPCFCTN	TYPE	Z	De	Dp	Df	Dm	F	L	Bore	
									stock	Max
10L050F	1	10	1.164	1.194	17/16	13/16	3/4	1 1/8	3/8	9/16
11L050F	1	11	1.283	1.313	17/16	15/16	3/4	1 1/4	3/8	9/16
12L050F	1	12	1.402	1.432	1 11/16	1 1/16	3/4	1 1/4	3/8	13/16
13L050F	1	13	1.522	1.552	1 11/16	1 1/8	3/4	1 1/4	3/8	13/16
14L050F	1	14	1.641	1.671	1 7/8	1 1/8	3/4	1 1/4	3/8	7/8
15L050F	1	15	1.760	1.790	2	1 1/8	3/4	1 1/4	1/2	15/16
16L050F	1	16	1.880	1.910	2 1/8	1 7/16	3/4	1 1/4	1/2	1 1/8
17L050F	1	17	1.999	2.029	2 1/4	1 1/2	3/4	1 1/4	1/2	1 1/8
18L050F	1	18	2.119	2.149	2 7/16	1 5/8	3/4	1 1/4	1/2	1 3/16
19L050F	1	19	2.238	2.268	2 1/2	1 5/8	3/4	1 1/4	1/2	1 3/16
20L050F	1	20	2.357	2.387	2 5/8	1 11/16	3/4	1 1/4	1/2	1 1/4
21L050F	1	21	2.477	2.507	2 3/4	1 7/8	3/4	1 1/4	1/2	1 5/16
22L050F	1	22	2.596	2.626	2 15/16	2	3/4	1 1/4	1/2	1 1/2
23L050F	1	23	2.715	2.745	3 1/8	2 1/4	3/4	1 1/4	1/2	1 5/8
24L050F	1	24	2.835	2.865	3 1/8	2 1/4	3/4	1 1/4	1/2	1 5/8
25L050F	1	25	2.954	2.984	3 1/4	2 1/2	3/4	1 1/4	1/2	1 5/8
26L050F	1	26	3.074	3.104	3 7/16	2 1/2	3/4	1 1/4	1/2	1 5/8
27L050F	1	27	3.193	3.223	3 5/8	2 1/2	3/4	1 1/4	1/2	1 5/8
28L050F	1	28	3.312	3.342	3 5/8	2 3/4	3/4	1 1/4	1/2	1 5/8
30L050F	1	30	3.551	3.581	3 13/16	2 7/8	3/4	1 1/4	1/2	1 5/8
32L050F	1	32	3.790	3.820	4	3 1/16	3/4	1 1/4	1/2	1 7/8
33L050F	1	33	3.909	3.939	4 7/16	3 1/4	3/4	1 1/4	1/2	2 1/4
34L050F	1	34	4.028	4.058	4 9/16	3 1/4	3/4	1 1/4	1/2	2 1/4
35L050F	1	35	4.148	4.178	4 9/16	3 1/2	3/4	1 1/4	1/2	2 5/16
36L050F	1	36	4.267	4.297	4 11/16	3 1/2	3/4	1 1/4	1/2	2 5/16
40L050F	1	40	4.745	4.775	5	3 5/8	3/4	1 1/4	1/2	2 5/8
42L050F	1	42	4.983	5.01	5 5/16	3 11/16	3/4	1 1/4	1/2	2 1/2
44L050F	1	44	5.222	5.252	5 5/8	3 11/16	3/4	1 1/4	1/2	2 1/2
45L050F	1	45	5.341	5.371	5 5/8	3 11/16	3/4	1 1/4	1/2	2 1/2
48L050	1	48	5.700	5.730	5 7/8	3 11/16	3/4	1 1/4	1/2	2 1/2
50L050	3	50	5.938	5.968	—	3 11/16	3/4	1 1/4	9/16	2 1/2
56L050	3	56	6.654	6.684	—	3 11/16	3/4	1 1/4	9/16	2 1/2
57L050	3	57	6.774	6.804	—	3 11/16	3/4	1 1/4	9/16	2 1/2
60L050	3	60	7.132	7.162	—	4 3/8	3/4	1 3/32	9/16	3
68L050	4	68	8.087	8.117	—	4 3/8	3/4	1 21/32	9/16	3
70L050	4	70	8.326	8.356	—	4 3/8	3/4	1 21/32	9/16	3
72L050	4	72	8.564	8.594	—	4 3/8	3/4	1 21/32	9/16	3
84L050	4	84	9.997	10.027	—	4 3/8	3/4	1 21/32	9/16	3
96L050	4	96	11.429	11.459	—	4 3/8	3/4	1 21/32	9/16	3

Timing pulley

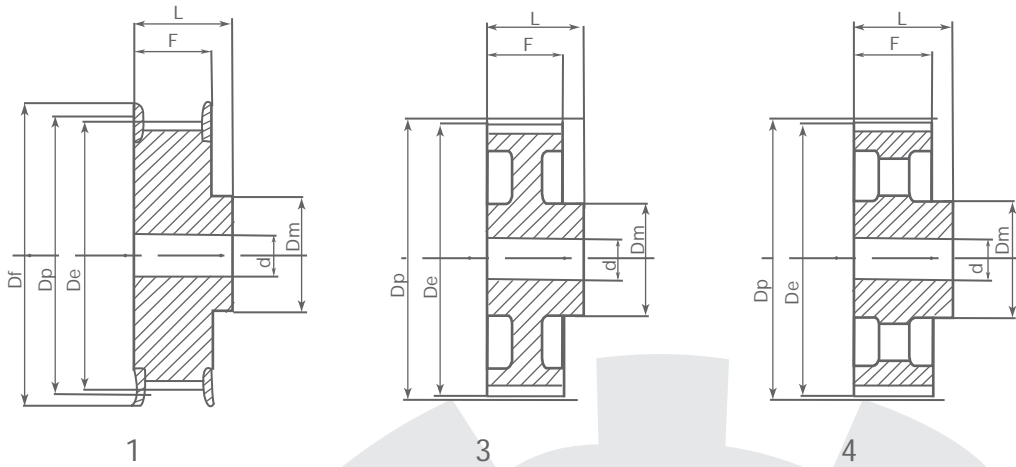


L075 PITCH 3/8" (9.525mm)

NSPT Standard

SPCFCTN	TYPE	Z	De	Dp	Df	Dm	F	L	Bore	
									stock	Max
10L075F	1	10	1.164	1.194	17/16	13/16	1	1 1/2	3/8	9/16
11L075F	1	11	1.283	1.313	17/16	15/16	1	1 1/2	3/8	9/16
12L075F	1	12	1.402	1.432	1 11/16	1 1/16	1	1 1/2	3/8	13/16
13L075F	1	13	1.522	1.552	1 11/16	1 1/8	1	1 1/2	3/8	13/16
14L075F	1	14	1.641	1.671	1 7/8	1 1/8	1	1 1/4	3/8	7/8
15L075F	1	15	1.760	1.790	2	1 1/8	1	1 1/4	1/2	15/16
16L075F	1	16	1.880	1.910	2 1/8	1 7/16	1	1 1/4	1/2	1 1/8
17L075F	1	17	1.999	2.029	2 1/4	1 1/2	1	1 1/4	1/2	1 1/8
18L075F	1	18	2.119	2.149	2 7/16	1 5/8	1	1 1/4	1/2	1 3/16
19L075F	1	19	2.238	2.268	2 1/2	1 5/8	1	1 1/4	1/2	1 3/16
20L075F	1	20	2.357	2.387	2 5/8	1 11/16	1	1 1/4	1/2	1 1/4
21L075F	1	21	2.477	2.507	2 3/4	1 7/8	1	1 1/4	1/2	1 5/16
22L075F	1	22	2.596	2.626	2 15/16	2	1	1 1/4	1/2	1 1/2
23L075F	1	23	2.715	2.745	3 1/8	2 1/4	1	1 1/4	1/2	1 5/8
24L075F	1	24	2.835	2.865	3 1/8	2 1/4	1	1 1/4	1/2	1 5/8
25L075F	1	25	2.954	2.984	3 1/4	2 1/2	1	1 1/4	1/2	1 5/8
26L075F	1	26	3.074	3.104	3 7/16	2 1/2	1	1 1/4	1/2	1 5/8
27L075F	1	27	3.193	3.223	3 5/8	2 1/2	1	1 1/4	1/2	1 5/8
28L075F	1	28	3.312	3.342	3 5/8	2 3/4	1	1 1/4	1/2	1 5/8
30L075F	1	30	3.551	3.581	3 13/16	2 7/8	1	1 1/4	1/2	1 5/8
32L075F	1	32	3.790	3.820	4	3 1/16	1	1 1/4	1/2	1 7/8
33L075F	1	33	3.909	3.939	4 7/16	3 1/4	1	1 1/4	1/2	2 1/4
34L075F	1	34	4.028	4.058	4 9/16	3 1/4	1	1 1/4	1/2	2 1/4
35L075F	1	35	4.148	4.178	4 9/16	3 1/2	1	1 1/4	1/2	2 5/16
36L075F	1	36	4.267	4.297	4 11/16	3 1/2	1	1 1/4	1/2	2 5/16
40L075F	1	40	4.745	4.775	5	3 5/8	1	1 1/4	1/2	2 5/8
42L075F	1	42	4.983	5.013	5 5/16	3 11/16	1	1 1/4	1/2	2 1/2
44L075F	1	44	5.222	5.252	5 5/8	3 11/16	1	1 1/4	1/2	2 1/2
45L075F	1	45	5.341	5.371	5 5/8	3 11/16	1	1 1/4	1/2	2 1/2
48L075F	1	48	5.700	5.730	5 7/8	3 11/16	1	1 1/4	1/2	2 1/2
50L075	3	50	5.938	5.968	—	3 11/16	1	1 1/4	9/16	2 1/2
56L075	3	56	6.654	6.684	—	3 11/16	1	1 1/4	9/16	2 1/2
57L075	3	57	6.774	6.804	—	3 11/16	1	1 1/4	9/16	2 1/2
60L075	3	60	7.132	7.162	—	4 3/8	1	1 3/32	9/16	3
68L075	4	68	8.087	8.117	—	4 3/8	1	1 21/32	9/16	3
70L075	4	70	8.326	8.356	—	4 3/8	1	1 21/32	9/16	3
72L075	4	72	8.564	8.594	—	4 3/8	1	1 21/32	9/16	3
84L075	4	84	9.997	10.027	—	4 3/8	1	1 21/32	9/16	3
96L075	4	96	11.429	11.459	—	4 3/8	1	1 21/32	9/16	3

Timing pulley

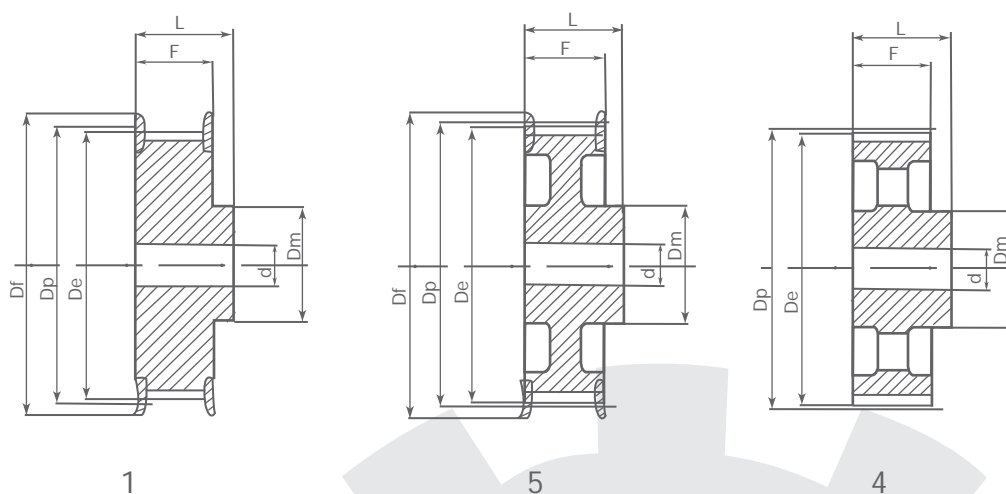


L100 PITCH 3/8" (9.525mm)

NSPT Standard

SPCFCTN	TYPE	Z	De	Dp	Df	Dm	F	L	Bore	
									stock	Max
10L100F	1	10	1	1.194	17/16	13/16	1 1/4	1 3/4	3/8	9/16
11L100F	1	11	1.283	1.313	17/16	15/16	1 1/4	1 3/4	3/8	9/16
12L100F	1	12	1.402	1.432	1 11/16	1 1/16	1 1/4	1 3/4	3/8	13/16
13L100F	1	13	1.522	1.552	1 11/16	1 1/8	1 1/4	1 3/4	3/8	13/16
14L100F	1	14	1.641	1.671	1 7/8	1 1/8	1 1/4	1 3/4	3/8	7/8
15L100F	1	15	1.760	1.790	2	1 1/8	1 1/4	1 3/4	1/2	15/16
16L100F	1	16	1.880	1.910	2 1/8	1 7/16	1 1/4	1 3/4	1/2	1 1/8
17L100F	1	17	1.999	2.029	2 1/4	1 1/2	1 1/4	1 3/4	1/2	1 1/8
18L100F	1	18	2.119	2.149	2 7/16	1 5/8	1 1/4	1 3/4	1/2	1 3/16
19L100F	1	19	2.238	2.268	2 1/2	1 5/8	1 1/4	1 3/4	1/2	1 3/16
20L100F	1	20	2.357	2.387	2 5/8	1 11/16	1 1/4	1 3/4	1/2	1 1/4
21L100F	1	21	2.477	2.507	2 3/4	1 7/8	1 1/4	1 3/4	1/2	1 5/16
22L100F	1	22	2.596	2.626	2 15/16	2	1 1/4	1 3/4	1/2	1 1/2
23L100F	1	23	2.715	2.745	3 1/8	2 1/4	1 1/4	1 3/4	1/2	1 5/8
24L100F	1	24	2.835	2.865	3 1/8	2 1/4	1 1/4	1 3/4	1/2	1 5/8
25L100F	1	25	2.954	2.984	3 1/4	2 1/2	1 1/4	1 3/4	1/2	1 5/8
26L100F	1	26	3.074	3.104	3 7/16	2 1/2	1 1/4	1 3/4	1/2	1 5/8
27L100F	1	27	3.193	3.223	3 5/8	2 1/2	1 1/4	1 3/4	1/2	1 5/8
28L100F	1	28	3.312	3.342	3 5/8	2 3/4	1 1/4	1 3/4	1/2	1 5/8
30L100F	1	30	3.551	3.581	3 13/16	2 7/8	1 1/4	1 3/4	1/2	1 7/8
32L100F	1	32	3.790	3.820	4	3 1/16	1 1/4	1 3/4	1/2	2 1/4
33L100F	1	33	3.909	3.939	4 7/16	3 1/4	1 1/4	1 3/4	1/2	2 1/4
34L100F	1	34	4.028	4.058	4 9/16	3 1/4	1 1/4	1 3/4	1/2	2 5/16
35L100F	1	35	4.148	4.178	4 9/16	3 1/2	1 1/4	1 3/4	1/2	2 5/16
36L100F	1	36	4.267	4.297	4 11/16	3 1/2	1 1/4	1 3/4	1/2	2 3/8
40L100F	1	40	4.745	4.775	5	3 5/8	1 1/4	1 3/4	1/2	2 3/8
42L100F	1	42	4.983	5.013	5 5/16	3 11/16	1 1/4	1 3/4	1/2	2 1/2
44L100F	1	44	5.222	5.252	5 5/8	3 11/16	1 1/4	1 3/4	1/2	2 1/2
45L100F	1	45	5.341	5.371	5 5/8	3 11/16	1 1/4	1 3/4	1/2	2 1/2
48L100F	1	48	5.700	5.730	5 7/8	3 11/16	1 1/4	1 3/4	1/2	2 1/2
50L100	3	50	5.938	5.968	—	3 11/16	1 1/4	1 3/4	9/16	2 1/2
52L100	3	52	6.177	6.207	—	3 11/16	1 1/4	1 3/4	9/16	2 1/2
56L100	3	56	6.654	6.684	—	3 11/16	1 1/4	1 3/4	9/16	2 1/2
57L100	3	57	6.774	6.804	—	3 11/16	1 1/4	1 3/4	9/16	2 1/2
60L100	3	60	7.123	7.162	—	4 3/8	1 1/4	1 3/4	9/16	3
68L100	4	68	8.087	8.117	—	4 3/8	1 1/4	1 3/4	9/16	3
72L100	4	72	8.564	8.594	—	4 3/8	1 1/4	1 3/4	9/16	3
84L100	4	84	9.997	10.027	—	4 3/8	1 1/4	1 3/4	9/16	3
96L100	4	96	11.429	11.459	—	4 3/8	1 1/4	1 3/4	9/16	3

Timing pulley

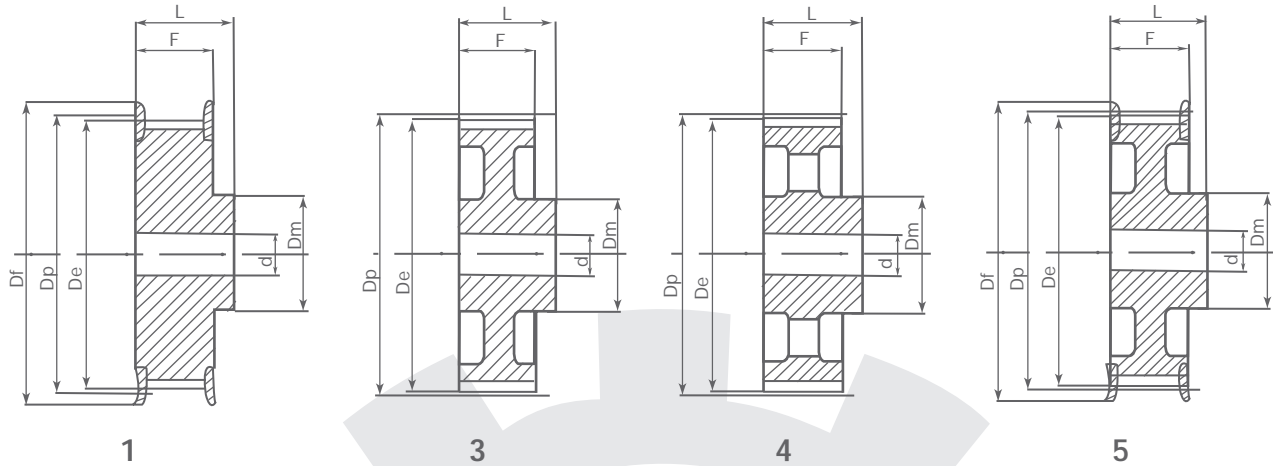


H075 PITCH 1/2" (12.70 mm)

NSPT Standard

SPCFCTN	TYPE	Z	De	Dp	Df	Dm	F	L	Bore	
									stock	Max
14H075F	1	14	2.174	2.228	27/16	15/8	11/16	15/8	5/8	7/8
15H075F	1	15	2.333	2.387	23/4	17/8	11/16	15/8	5/8	11/8
16H075F	1	16	2.492	2.546	23/4	17/8	11/16	15/8	5/8	11/8
17H075F	1	17	2.652	2.706	3	2	11/16	15/8	5/8	11/4
18H075F	1	18	2.811	2.865	31/8	21/4	11/16	15/8	5/8	13/8
19H075F	1	19	2.970	3.024	31/4	23/8	11/16	15/8	5/8	11/2
20H075F	1	20	3.129	3.183	33/8	21/2	11/16	15/8	5/8	15/8
21H075F	1	21	3.288	3.342	35/8	25/8	11/16	15/8	3/4	111/16
22H075F	1	22	3.447	3.501	311/16	23/4	11/16	15/8	3/4	13/4
23H075F	1	23	3.607	3.661	41/16	3	11/16	15/8	3/4	17/8
24H075F	1	24	3.766	3.820	41/16	3	11/16	15/8	3/4	17/8
25H075F	1	25	3.925	3.979	43/8	33/8	11/16	15/8	3/4	21/4
26H075F	1	26	4.084	4.138	43/8	33/8	11/16	15/8	3/4	21/4
27H075F	1	27	4.243	4.297	411/16	31/2	11/16	15/8	3/4	25/16
28H075F	1	28	4.402	4.456	411/16	31/2	11/16	15/8	3/4	25/16
30H075F	1	30	4.721	4.775	5	35/8	11/16	15/8	3/4	23/8
32H075F	1	32	5.039	5.093	55/16	35/8	11/16	15/8	3/4	23/8
33H075F	1	33	5.198	5.252	55/8	35/8	11/16	15/8	3/4	23/8
34H075F	1	34	5.357	5.411	515/16	35/8	11/16	15/8	3/4	23/8
35H075F	1	35	5.517	5.571	515/16	35/8	11/16	15/8	3/4	23/8
36H075F	1	36	5.676	5.730	63/16	35/8	11/16	15/8	3/4	23/8
38H075F	1	38	5.994	6.048	63/16	35/8	11/16	15/8	3/4	23/8
40H075F	1	40	6.312	6.366	69/16	35/8	11/16	15/8	3/4	23/8
42H075F	1	42	6.630	6.684	615/16	35/8	11/16	15/8	3/4	23/8
44H075F	5	44	6.949	7.003	71/4	35/8	11/16	15/8	3/4	23/8
48H075F	5	48	7.585	7.639	77/8	33/4	11/16	15/8	3/4	21/2
50H075	4	50	7.904	7.958	—	33/4	11/16	15/8	3/4	21/2

Timing pulley

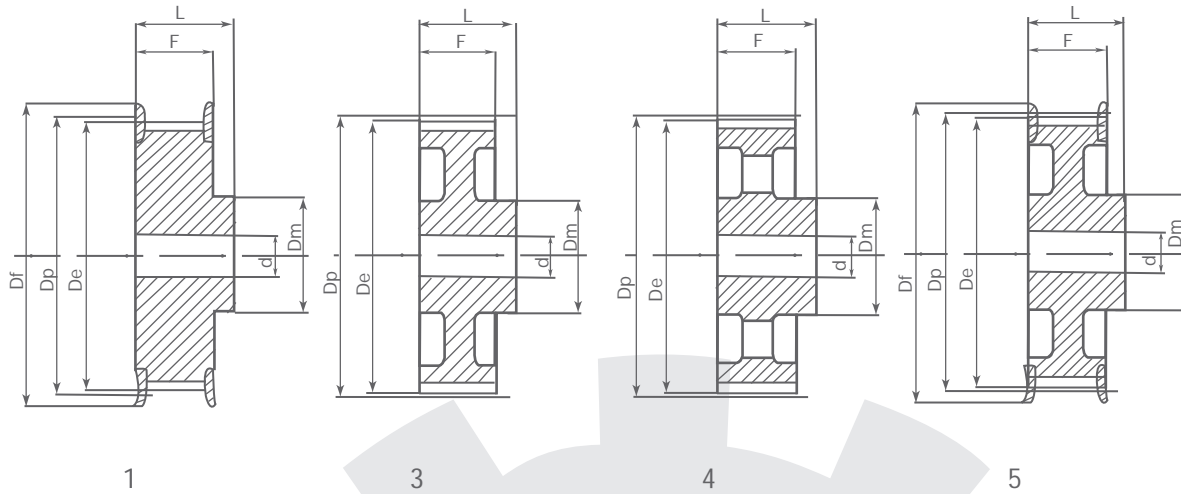


H100 PITCH 1/2" (12.70mm)

NSPT Standard

SPCFCTN	TYPE	Z	De	Dp	Df	Dm	F	L	Bore	
									stock	Max
14H100F	1	14	2.174	2.228	27/16	15/8	1 1/4	1 7/8	5/8	7/8
15H100F	1	15	2.333	2.387	2 3/4	1 7/8	1 1/4	2	5/8	1 1/8
16H100F	1	16	2.492	2.546	2 3/4	1 7/8	1 1/4	2	5/8	1 1/8
17H100F	1	17	2.652	2.706	3	2	1 1/4	2	5/8	1 1/4
18H100F	1	18	2.811	2.865	3 1/8	2 1/4	1 1/4	2	5/8	7/8
19H100F	1	19	2.970	3.024	3 1/4	2 3/8	1 1/4	2	5/8	15/16
20H100F	1	20	3.129	3.183	3 3/8	2 1/2	1 1/4	2 1/8	5/8	1 1/8
21H100F	1	21	3.288	3.342	3 5/8	2 5/8	1 1/4	2 1/8	3/4	1 1/8
22H100F	1	22	3.447	3.501	3 11/16	2 3/4	1 1/4	2 1/4	3/4	1 3/16
23H100F	1	23	3.607	3.661	4 1/16	3	1 1/4	2 3/8	3/4	1 3/16
24H100F	1	24	3.766	3.820	4 1/16	3	1 1/4	2 3/8	3/4	1 1/4
25H100F	1	25	3.925	3.979	4 3/8	3 3/8	1 1/4	2 3/8	3/4	1 5/16
26H100F	1	26	4.084	4.138	4 3/8	3 3/8	1 1/4	2 3/8	3/4	1 1/2
27H100F	1	27	4.243	4.297	4 11/16	3 1/2	1 1/4	2 3/8	3/4	1 5/8
28H100F	1	28	4.402	4.456	4 11/16	3 1/2	1 1/4	2 3/8	3/4	1 5/8
29H100F	1	29	4.561	4.615	4 11/16	3 1/2	1 1/4	2 3/8	3/4	1 5/8
30H100F	1	30	4.721	4.775	5	3 5/8	1 1/4	2 3/8	3/4	1 5/8
32H100F	1	32	5.039	5.093	5 5/16	3 5/8	1 1/4	2 3/8	3/4	1 5/8
33H100F	1	33	5.198	5.252	5 5/8	3 5/8	1 1/4	2 3/8	3/4	1 5/8
34H100F	1	34	5.357	5.411	5 15/16	3 5/8	1 1/4	2 3/8	3/4	1 7/8
35H100F	1	35	5.517	5.571	5 15/16	3 5/8	1 1/4	2 3/8	3/4	2 1/4
36H100F	1	36	5.676	5.730	6 3/16	3 5/8	1 1/4	2 3/8	3/4	2 1/4
38H100F	1	38	5.994	6.048	6 3/16	3 5/8	1 1/4	2 3/8	3/4	2 5/16
40H100F	1	40	6.312	6.366	6 9/16	3 5/8	1 1/4	2 3/8	3/4	2 5/16
42H100F	5	42	6.630	6.684	6 15/16	3 5/8	1 1/4	2 3/8	3/4	2 3/8
45H100F	5	45	7.108	7.162	7 9/16	3 5/8	1 1/4	2 3/8	3/4	2 3/8
48H100F	5	48	7.585	7.639	7 7/8	4 3/4	1 1/4	2 3/8	3/4	2 1/2
50H100	3	50	7.904	7.958	—	4 3/4	1 1/4	2 3/8	3/4	2 1/2
52H100	3	52	8.222	8.276	—	4 3/4	1 1/4	2 3/8	3/4	2 1/2
57H100	4	57	9.018	9.072	—	4 3/4	1 1/4	2 3/8	3/4	2 1/2
58H100	4	58	9.177	9.231	—	4 3/4	1 1/4	2 3/8	3/4	2 1/2
60H100	4	60	9.495	9.549	—	4 3/4	1 1/4	2 3/8	3/4	2 1/2
68H100	4	68	10.769	10.823	—	5	1 1/4	1 3/4	3/4	2 1/2
70H100	4	70	11.087	11.141	—	5	1 1/4	1 3/4	3/4	2 1/2
72H100	4	72	11.405	11.459	—	5	1 1/4	1 3/4	3/4	3
84H100	4	84	13.315	13.369	—	5	1 1/4	1 3/4	3/4	3
96H100	4	96	15.225	15.279	—	5	1 1/4	1 3/4	3/4	3
120H100	4	120	19.044	19.098	—	6	1 1/4	1 3/4	3/4	3
150H100	4	150	23.819	23.873	—	6	1 1/4	1 3/4	3/4	3

Timing pulley

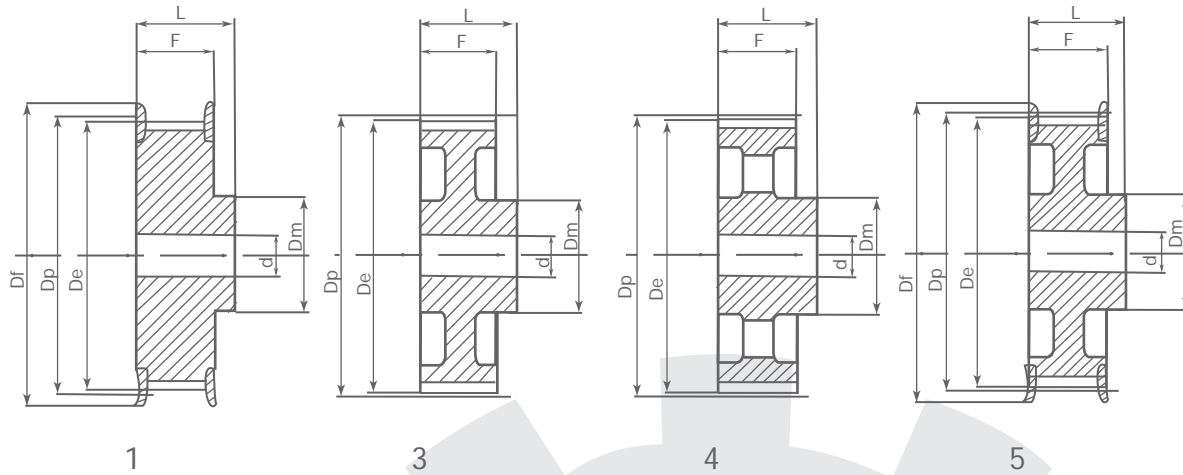


H150 PITCH 1/2" (12.70mm)

NSPT Standard

SPCFCTN	TYPE	Z	De	Dp	Df	Dm	F	L	Bore	
									stock	Max
14H150F	1	14	2.174	2.228	27/16	15/8	13/4	23/8	5/8	7/8
15H150F	1	15	2.333	2.387	23/4	17/8	13/4	21/2	5/8	11/8
16H150F	1	16	2.492	2.546	23/4	17/8	13/4	21/2	5/8	11/8
17H150F	1	17	2.652	2.706	3	2	13/4	21/2	5/8	11/4
18H150F	1	18	2.811	2.865	31/8	21/4	13/4	21/2	5/8	13/8
19H150F	1	19	2.970	3.024	31/4	23/8	13/4	21/2	5/8	11/2
20H150F	1	20	3.129	3.183	33/8	21/2	13/4	25/8	5/8	15/8
21H150F	1	21	3.288	3.342	35/8	25/8	13/4	27/8	3/4	111/16
22H150F	1	22	3.447	3.501	311/16	23/4	13/4	27/8	3/4	13/4
23H150F	1	23	3.607	3.661	41/16	3	13/4	27/8	3/4	17/8
24H150F	1	24	3.766	3.820	41/16	3	13/4	27/8	3/4	17/8
25H150F	1	25	3.925	3.979	43/8	33/8	13/4	27/8	3/4	21/4
26H150F	1	26	4.084	4.138	43/8	33/8	13/4	27/8	3/4	21/4
27H150F	1	27	4.243	4.297	411/16	31/2	13/4	27/8	3/4	25/16
28H150F	1	28	4.402	4.456	411/16	31/2	13/4	27/8	3/4	25/16
29H150F	1	29	4.561	4.615	411/16	31/2	13/4	27/8	3/4	25/16
30H150F	1	30	4.721	4.775	5	35/8	13/4	27/8	3/4	23/8
32H150F	1	32	5.039	5.093	55/16	35/8	13/4	27/8	3/4	23/8
33H150F	1	33	5.198	5.252	55/8	35/8	13/4	27/8	3/4	23/8
34H150F	1	34	5.357	5.411	515/16	35/8	13/4	27/8	3/4	23/8
35H150F	1	35	5.517	5.571	511/16	35/8	13/4	27/8	3/4	23/8
36H150F	1	36	5.676	5.730	63/16	35/8	13/4	27/8	3/4	23/8
38H150F	1	38	5.994	6.048	63/16	35/8	13/4	27/8	3/4	23/8
40H150F	1	40	6.312	6.366	69/16	35/8	13/4	27/8	3/4	23/8
42H150F	1	42	6.630	6.684	615/16	35/8	13/4	27/8	3/4	23/8
45H150F	5	45	7.108	7.162	79/16	35/8	13/4	27/8	3/4	23/8
48H150F	5	48	7.585	7.639	77/8	43/4	13/4	27/8	3/4	21/2
50H150	3	50	7.904	7.958	—	43/4	13/4	27/8	3/4	21/2
52H150	3	52	8.222	8.276	—	43/4	13/4	27/8	3/4	21/2
57H150	4	57	9.018	9.072	—	43/4	13/4	27/8	3/4	21/2
58H150	4	58	9.177	9.231	—	43/4	13/4	27/8	3/4	21/2
60H150	4	60	9.495	9.549	—	43/4	13/4	27/8	3/4	21/2
68H150	4	68	10.769	10.823	—	5	13/4	27/8	3/4	21/2
70H150	4	70	11.087	11.141	—	5	13/4	27/8	3/4	21/2
72H150	4	72	11.405	11.459	—	5	13/4	27/8	3/4	21/2
84H150	4	84	13.315	13.369	—	5	13/4	27/8	3/4	21/2
96H150	4	96	15.225	15.279	—	5	13/4	27/8	3/4	21/2
120H150	4	120	19.044	19.098	—	6	13/4	27/8	3/4	31/4
150H150	4	150	23.819	23.873	—	6	13/4	27/8	3/4	31/4

Timing pulley

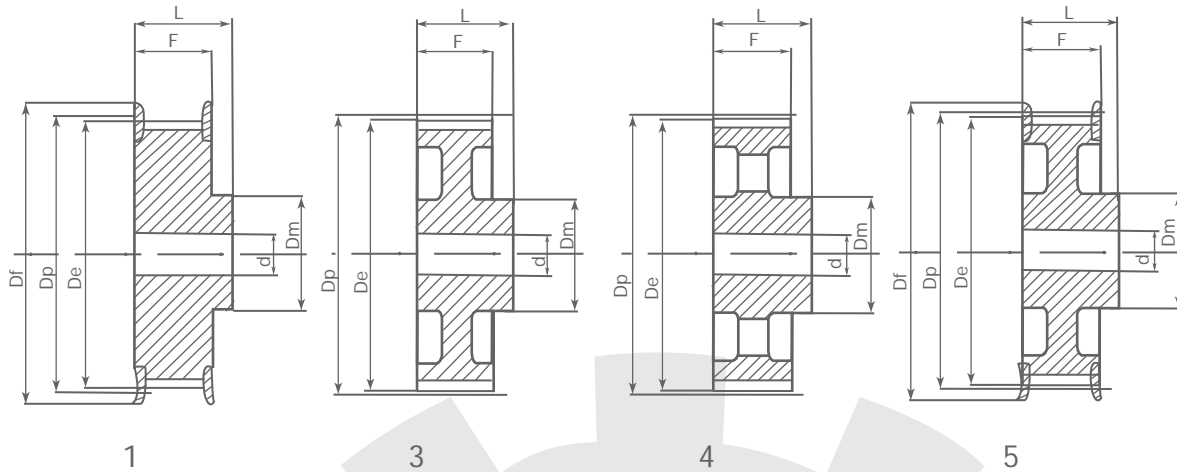


H200 PITCH 1/2" (12.70mm)

NSPT Standard

SPCFCTN	TYPE	Z	De	Dp	Df	Dm	F	L	Bore	
									stock	Max
14H200F	1	14	2.174	2.228	27/16	15/8	29/32	39/32	3/4	7/8
15H200F	1	15	2.333	2.387	23/4	17/8	29/32	39/32	3/4	11/8
16H200F	1	16	2.492	2.546	23/4	17/8	29/32	39/32	3/4	11/8
17H200F	1	17	2.652	2.706	3	2	29/32	39/32	3/4	11/4
18H200F	1	18	2.811	2.865	31/8	21/4	29/32	39/32	3/4	13/8
19H200F	1	19	2.970	3.024	31/4	23/8	29/32	39/32	3/4	11/2
20H200F	1	20	3.129	3.183	33/8	21/2	29/32	39/32	3/4	15/8
21H200F	1	21	3.288	3.342	35/8	25/8	29/32	39/32	3/4	111/16
22H200F	1	22	3.447	3.501	311/16	23/4	29/32	39/32	3/4	13/4
23H200F	1	23	3.607	3.661	41/16	3	29/32	39/32	3/4	17/8
24H200F	1	24	3.766	3.820	41/16	3	29/32	39/32	3/4	17/8
25H200F	1	25	3.925	3.979	43/8	33/8	29/32	313/32	3/4	21/4
26H200F	1	26	4.084	4.138	43/8	33/8	29/32	313/32	3/4	21/4
27H200F	1	27	4.243	4.297	411/16	31/2	29/32	313/32	3/4	25/16
28H200F	1	28	4.402	4.456	411/16	31/2	29/32	313/32	3/4	25/16
29H200F	1	29	4.561	4.615	411/16	31/2	29/32	313/32	3/4	25/16
30H200F	1	30	4.721	4.775	5	35/8	29/32	313/32	3/4	23/8
32H200F	1	32	5.039	5.093	55/16	35/8	29/32	313/32	3/4	23/8
33H200F	1	33	5.198	5.252	55/8	35/8	29/32	313/32	3/4	23/8
34H200F	1	34	5.357	5.411	515/16	35/8	29/32	313/32	3/4	23/8
35H200F	1	35	5.517	5.571	515/16	35/8	29/32	313/32	3/4	23/8
36H200F	1	36	5.676	5.730	63/16	35/8	29/32	313/32	3/4	23/8
38H200F	1	38	5.994	6.048	63/16	35/8	29/32	313/32	3/4	23/8
40H200F	1	40	6.312	6.366	69/16	35/8	29/32	313/32	3/4	23/8
42H200F	1	42	6.630	6.684	615/16	35/8	29/32	313/32	3/4	23/8
44H200F	5	44	6.949	7.003	71/4	35/8	29/32	313/32	3/4	23/8
45H200F	5	45	7.108	7.162	79/16	35/8	29/32	313/32	3/4	23/8
48H200F	5	48	7.585	7.639	77/8	43/4	29/32	313/32	3/4	21/2
50H200	3	50	7.904	7.958	—	43/4	29/32	313/32	3/4	21/2
52H200	3	52	8.222	8.276	—	43/4	29/32	313/32	3/4	21/2
57H200	4	57	9.018	9.072	—	43/4	29/32	313/32	3/4	21/2
58H200	4	58	9.177	9.231	—	43/4	29/32	313/32	3/4	21/2
60H200	4	60	9.495	9.549	—	43/4	29/32	313/32	3/4	21/2
68H200	4	68	10.769	10.823	—	5	29/32	31/2	3/4	21/2
70H200	4	70	11.087	11.141	—	5	29/32	31/2	3/4	21/2
72H200	4	72	11.405	11.459	—	5	29/32	31/2	3/4	21/2
84H200	4	84	13.315	13.369	—	5	29/32	31/2	3/4	21/2
96H200	4	96	15.225	15.279	—	5	29/32	31/2	3/4	21/2
120H200	4	120	19.044	19.098	—	6	29/32	31/2	3/4	31/4
150H200	4	150	23.819	23.873	—	6	29/32	31/2	3/4	31/4

Timing pulley

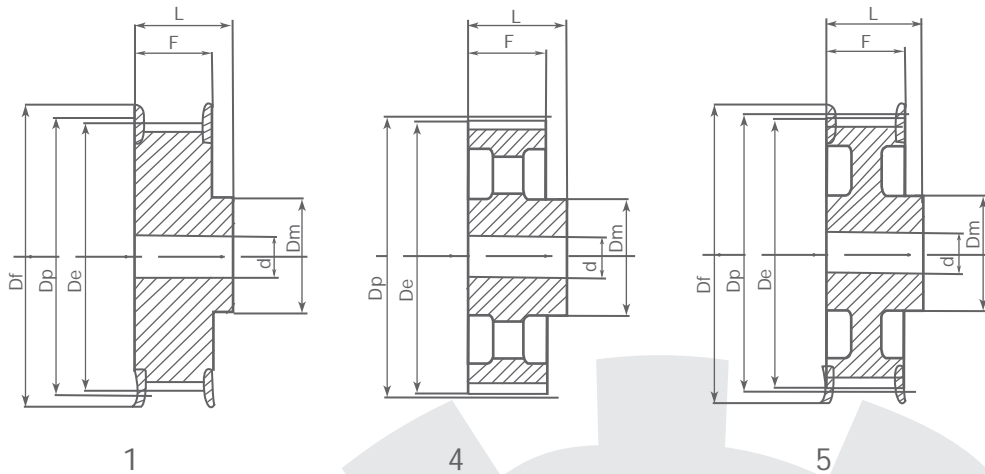


H300 PITCH 1/2" (12.70mm)

NSPT Standard

SPCFCTN	TYPE	Z	De	Dp	Df	Dm	F	L	Bore	
									stock	Max
14H300F	1	14	2.174	2.228	27/16	15/8	35/16	41/16	3/4	7/8
15H300F	1	15	2.333	2.387	23/4	17/8	35/16	41/16	3/4	11/8
16H300F	1	16	2.492	2.546	23/4	17/8	35/16	41/16	3/4	11/8
17H300F	1	17	2.652	2.706	3	2	35/16	41/16	3/4	11/4
18H300F	1	18	2.811	2.865	31/8	21/4	35/16	41/16	3/4	13/8
19H300F	1	19	2.970	3.024	31/4	23/8	35/16	41/16	3/4	11/2
20H300F	1	20	3.129	3.183	33/8	21/2	35/16	43/16	7/8	15/8
21H300F	1	21	3.288	3.342	35/8	25/8	35/16	43/16	7/8	11/16
22H300F	1	22	3.447	3.501	311/16	23/4	35/16	45/16	7/8	13/4
23H300F	1	23	3.607	3.661	41/16	3	35/16	45/16	7/8	17/8
24H300F	1	24	3.766	3.820	41/16	3	35/16	45/16	7/8	17/8
25H300F	1	25	3.925	3.979	43/8	33/8	35/16	47/16	11/8	21/4
26H300F	1	26	4.084	4.138	43/8	33/8	35/16	47/16	11/8	21/4
27H300F	1	27	4.243	4.297	411/16	31/2	35/16	47/16	11/8	25/16
28H300F	1	28	4.402	4.456	411/16	31/2	35/16	47/16	1 1/8	25/16
30H300F	1	30	4.721	4.775	5	35/8	35/16	47/16	11/8	23/8
32H300F	1	32	5.039	5.093	55/16	35/8	35/16	47/16	11/8	23/8
33H300F	1	33	5.198	5.252	55/8	35/8	35/16	47/16	11/8	23/8
34H300F	1	34	5.357	5.411	515/16	35/8	35/16	47/16	11/8	23/8
35H300F	1	35	5.517	5.571	515/16	35/8	35/16	47/16	11/8	23/8
36H300F	1	36	5.676	5.730	63/16	35/8	35/16	47/16	11/8	23/8
38H300F	1	38	5.994	6.048	63/16	35/8	35/16	47/16	11/8	23/8
40H300F	1	40	6.312	6.366	69/16	35/8	35/16	47/16	11/8	23/8
42H300F	1	42	6.630	6.684	615/16	35/8	35/16	47/16	11/8	23/8
44H300	3	44	6.949	7.003	—	35/8	35/16	47/16	11/8	23/8
45H300	3	45	7.108	7.162	—	35/8	35/16	47/16	11/8	23/8
48H300	3	48	7.585	7.639	—	43/4	35/16	47/16	11/8	21/2
50H300	3	50	7.904	7.958	—	43/4	35/16	47/16	11/8	21/2
52H300	3	52	8.222	8.276	—	43/4	35/16	47/16	11/8	21/2
57H300	4	57	9.018	9.072	—	43/4	35/16	47/16	11/8	21/2
58H300	4	58	9.177	9.231	—	43/4	35/16	47/16	11/8	21/2
60H300	4	60	9.495	9.549	—	43/4	35/16	43/4	11/8	21/2
70H300	4	70	11.087	11.141	—	5	35/16	43/4	11/4	21/2
72H300	4	72	11.405	11.459	—	5	35/16	43/4	11/4	21/2
84H300	4	84	13.315	13.369	—	5	35/16	43/4	11/4	21/2
96H300	4	96	15.225	15.279	—	5	35/16	43/4	11/4	21/2
120H300	4	120	19.044	19.098	—	6	35/16	43/4	11/4	31/4
150H300	4	150	23.819	23.873	—	6	35/16	43/4	11/4	31/4
156H300	4	156	24.774	24.828	—	6	35/16	43/4	11/4	31/4

Timing pulley

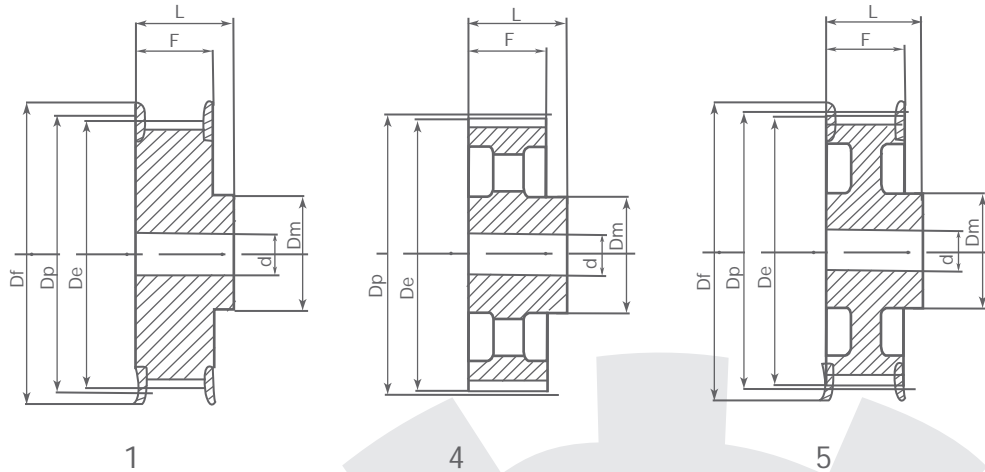


XH200 PITCH 7/8" (22.22mm)

NSPT Standard

SPCFCTN	TYPE	Z	De	Dp	Df	Dm	F	L	Bore	
									stock	Max
18XH200F	1	18	4.903	5.013	5 ^{15/16}	3 ^{11/16}	2 ^{9/16}	3 ^{7/16}	1	2 ^{1/4}
19XH200F	1	19	5.182	5.292	6 ^{2/8}	3 ^{15/16}	2 ^{9/16}	3 ^{7/16}	1	2 ^{1/2}
20XH200F	1	20	5.460	5.570	6 ^{5/8}	4 ^{1/8}	2 ^{9/16}	3 ^{7/16}	1	2 ^{5/8}
21XH200F	1	21	5.739	5.849	6 ^{5/8}	4 ^{3/4}	2 ^{9/16}	3 ^{7/16}	1	3 ^{1/8}
22XH200F	1	22	6.017	6.127	6 ^{7/8}	5 ^{1/4}	2 ^{9/16}	3 ^{7/16}	1	3 ^{1/8}
23XH200F	1	23	6.296	6.406	6 ^{7/8}	5 ^{1/4}	2 ^{9/16}	3 ^{7/16}	1	3 ^{1/2}
24XH200F	1	24	6.576	6.686	7 ^{5/8}	5 ^{1/4}	2 ^{9/16}	3 ^{7/16}	1	3 ^{1/2}
25XH200F	1	25	6.853	6.963	7 ^{7/8}	5 ^{3/4}	2 ^{9/16}	3 ^{7/16}	1	3 ^{1/2}
26XH200F	1	26	7.131	7.241	8 ^{1/8}	5 ^{3/4}	2 ^{9/16}	3 ^{7/16}	1	3 ^{3/4}
27XH200F	1	27	7.410	7.520	8 ^{1/8}	5 ^{3/4}	2 ^{9/16}	3 ^{7/16}	1	3 ⁴
28XH200F	1	28	7.689	7.999	8 ^{3/8}	5 ^{3/4}	2 ^{9/16}	3 ^{7/16}	1	3 ^{3/4}
30XH200F	1	30	8.246	8.356	8 ^{7/8}	5 ^{3/4}	2 ^{9/16}	3 ^{7/16}	1	3 ^{3/4}
32XH200F	1	32	8.803	8.913	9 ^{7/16}	5 ^{3/4}	2 ^{9/16}	3 ^{7/16}	1	3 ^{3/4}
34XH200F	1	34	9.360	9.470	10 ^{3/32}	6	2 ^{9/16}	3 ^{7/16}	1	3 ^{3/4}
38XH200F	5	38	10.474	10.584	11 ^{1/4}	6	2 ^{9/16}	3 ^{7/16}	1 ^{1/8}	3 ^{7/8}
40XH200F	5	40	11.031	11.141	11 ^{11/16}	6	2 ^{9/16}	4	1 ^{1/8}	3 ^{7/8}
46XH200	4	46	12.702	12.812	—	6	2 ^{9/16}	4	1 ^{1/8}	3 ^{7/8}
48XH200	4	48	13.259	13.369	—	6	2 ^{9/16}	4	1 ^{1/8}	3 ^{7/8}
57XH200	4	57	15.766	15.876	—	6	2 ^{9/16}	4	1 ^{1/8}	3 ^{7/8}
58XH200	4	58	16.044	16.154	—	6	2 ^{9/16}	4	1 ^{1/8}	3 ^{7/8}
60XH200	4	60	16.601	16.771	—	6	2 ^{9/16}	4	1 ^{1/8}	3 ^{7/8}
70XH200	4	70	19.387	19.497	—	6 ^{1/2}	2 ^{9/16}	4	1 ^{1/8}	3 ^{7/8}
72XH200	4	72	19.944	20.054	—	6 ^{1/2}	2 ^{9/16}	4	1 ^{1/4}	4
78XH200	4	78	21.516	21.725	—	6 ^{1/2}	2 ^{9/16}	4	1 ^{1/4}	4
80XH200	4	80	22.172	22.282	—	6 ^{1/2}	2 ^{9/16}	4	1 ^{1/4}	4
82XH200	4	82	22.729	22.839	—	6 ^{1/2}	2 ^{9/16}	4	1 ^{1/4}	4
84XH200	4	84	23.286	23.396	—	6 ^{1/2}	2 ^{9/16}	4	1 ^{1/4}	4
94XH200	4	94	26.071	26.181	—	6 ^{1/2}	2 ^{9/16}	4	1 ^{1/4}	4
96XH200	4	96	26.628	26.738	—	6 ^{1/2}	2 ^{9/16}	4	1 ^{1/4}	4
118XH200	4	118	32.756	32.865	—	6 ^{1/2}	2 ^{9/16}	4	1 ^{1/4}	4
120XH200	4	120	33.313	33.423	—	6 ^{1/2}	2 ^{9/16}	4	1 ^{1/4}	4

Timing pulley

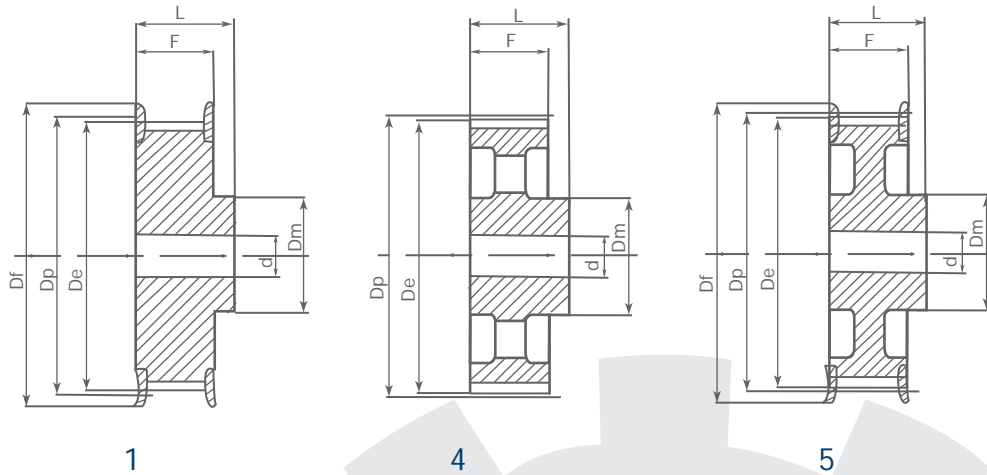


XH300 PITCH 7/8" (22.22mm)

NSPT Standard

SPCFCTN	TYPE	Z	De	Dp	Df	Dm	F	L	Bore	
									stock	Max
18XH300F	1	18	4.903	5.013	5 ^{15/16}	3 ^{11/16}	3 ^{5/8}	4 ^{1/2}	1	2 ^{1/4}
19XH300F	1	19	5.182	5.292	6 ^{2/8}	3 ^{15/16}	3 ^{5/8}	4 ^{5/8}	1	2 ^{1/2}
20XH300F	1	20	5.460	5.570	6 ^{5/8}	4 ^{1/8}	3 ^{5/8}	4 ^{5/8}	1	2 ^{5/8}
21XH300F	1	21	5.739	5.849	6 ^{5/8}	4 ^{3/4}	3 ^{5/8}	4 ^{5/8}	1	3 ^{1/8}
22XH300F	1	22	6.017	6.127	6 ^{7/8}	5 ^{1/4}	3 ^{5/8}	4 ^{5/8}	1	3 ^{1/8}
23XH300F	1	23	6.296	6.406	6 ^{7/8}	5 ^{1/4}	3 ^{5/8}	4 ^{5/8}	1	3 ^{1/2}
24XH300F	1	24	6.576	6.686	7 ^{5/8}	5 ^{1/4}	3 ^{5/8}	4 ^{5/8}	1	3 ^{1/2}
25XH300F	1	25	6.853	6.963	7 ^{7/8}	5 ^{3/4}	3 ^{5/8}	4 ^{5/8}	1	3 ^{1/2}
26XH300F	1	26	7.131	7.241	8 ^{1/8}	5 ^{3/4}	3 ^{5/8}	4 ^{5/8}	1 ^{1/8}	3 ^{3/4}
27XH300F	1	27	7.410	7.520	8 ^{1/8}	5 ^{3/4}	3 ^{5/8}	4 ^{5/8}	1 ^{1/8}	3 ^{3/4}
28XH300F	1	28	7.689	7.799	8 ^{3/8}	5 ^{3/4}	3 ^{5/8}	4 ^{5/8}	1 ^{1/8}	3 ^{3/4}
30XH300F	1	30	8.246	8.356	8 ^{7/8}	5 ^{3/4}	3 ^{5/8}	4 ^{5/8}	1 ^{1/8}	3 ^{3/4}
32XH300F	1	32	8.803	8.913	9 ^{7/16}	5 ^{3/4}	3 ^{5/8}	4 ^{5/8}	1 ^{1/8}	3 ^{3/4}
34XH300F	1	34	9.360	9.470	10 ^{3/32}	6	3 ^{5/8}	4 ^{5/8}	1 ^{1/8}	3 ^{3/4}
38XH300F	5	38	10.474	10.584	11 ^{1/4}	6	3 ^{5/8}	4 ^{3/4}	1 ^{1/4}	3 ^{7/8}
40XH300F	5	40	11.031	11.141	11 ^{11/16}	6	3 ^{5/8}	4 ^{3/4}	1 ^{1/4}	3 ^{7/8}
46XH300	4	46	12.702	12.812	—	6	3 ^{5/8}	4 ^{3/4}	1 ^{1/4}	3 ^{7/8}
48XH300	4	48	13.259	13.369	—	6	3 ^{5/8}	4 ^{3/4}	1 ^{1/4}	3 ^{7/8}
58XH300	4	58	16.044	15.876	—	6	3 ^{5/8}	4 ^{3/4}	1 ^{1/4}	3 ^{7/8}
60XH300	4	60	16.601	16.771	—	6	3 ^{5/8}	4 ^{3/4}	1 ^{1/4}	3 ^{7/8}
70XH300	4	70	19.387	19.497	—	6 ^{1/2}	3 ^{5/8}	4 ^{3/4}	1 ^{1/4}	4
72XH300	4	72	19.944	20.054	—	6 ^{1/2}	3 ^{5/8}	4 ^{3/4}	1 ^{1/4}	4
78XH300	4	78	21.516	21.725	—	6 ^{1/2}	3 ^{5/8}	4 ^{3/4}	1 ^{1/4}	4
80XH300	4	80	22.172	22.282	—	6 ^{1/2}	3 ^{5/8}	4 ^{3/4}	1 ^{1/4}	4
82XH300	4	82	22.729	22.839	—	6 ^{1/2}	3 ^{5/8}	4 ^{3/4}	1 ^{1/4}	4
84XH300	4	84	23.286	23.396	—	6 ^{1/2}	3 ^{5/8}	4 ^{3/4}	1 ^{1/4}	4
94XH300	4	94	26.071	26.181	—	6 ^{1/2}	3 ^{5/8}	4 ^{3/4}	1 ^{1/4}	4
96XH300	4	96	26.628	26.738	—	6 ^{1/2}	3 ^{5/8}	4 ^{3/4}	1 ^{1/4}	4
118XH300	4	118	32.756	32.865	—	6 ^{1/2}	3 ^{5/8}	4 ^{3/4}	1 ^{1/4}	4
120XH300	4	120	33.313	33.423	—	6 ^{1/2}	3 ^{5/8}	4 ^{3/4}	1 ^{1/4}	4

Timing pulley

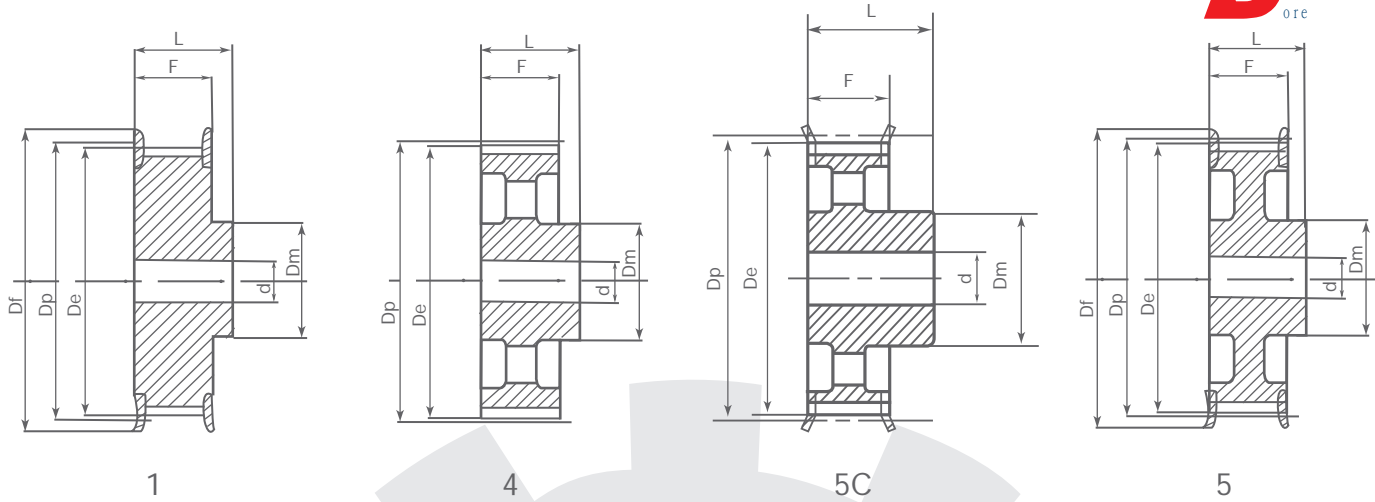


XH400 PITCH 7/8" (22.22mm)

NSPT Standard

SPCFCTN	TYPE	Z	De	Dp	Df	Dm	F	L	Bore	
									stock	Max
18XH400F	1	18	4.903	5.013	515/16	311/16	411/16	511/16	1	21/4
19XH400F	1	19	5.182	5.292	62/8	315/16	411/16	511/16	1	21/2
20XH400F	1	20	5.460	5.570	65/8	41/8	411/16	511/16	1	25/8
21XH400F	1	21	5.739	5.849	65/8	4 3/4	411/16	511/16	1	31/8
22XH400F	1	22	6.017	6.127	67/8	43/4	411/16	511/16	1	31/8
23XH400F	1	23	6.296	6.406	67/8	51/4	411/16	511/16	1	31/2
24XH400F	1	24	6.576	6.686	75/8	51/4	411/16	511/16	1	31/2
25XH400F	1	25	6.853	6.963	75/8	53/4	411/16	511/16	1	31/2
26XH400F	1	26	7.131	7.241	81/8	53/4	411/16	511/16	11/8	33/4
27XH400F	1	27	7.410	7.520	81/8	53/4	411/16	511/16	11/8	33/4
28XH400F	1	28	7.689	7.999	83/8	53/4	411/16	511/16	11/8	33/4
30XH400F	1	30	8.246	8.356	87/8	53/4	411/16	511/16	11/8	33/4
32XH400F	1	32	8.803	8.913	97/16	53/4	411/16	511/16	11/8	33/4
34XH400F	1	34	9.360	9.470	103/32	53/4	411/16	511/16	11/4	37/8
38XH400F	5	38	10.474	10.584	111/4	6	411/16	511/16	11/4	37/8
40XH400F	5	40	11.031	11.141	1111/16	6	411/16	511/16	11/4	37/8
46XH400	4	46	12.702	12.812	—	6	411/16	511/16	11/4	37/8
48XH400	4	48	13.259	13.369	—	6	411/16	511/16	11/4	37/8
58XH400	4	58	16.044	15.876	—	6	411/16	511/16	11/4	37/8
60XH400	4	60	16.601	16.771	—	6	411/16	511/16	11/4	37/8
70XH400	4	70	19.387	19.497	—	6	411/16	511/16	11/4	37/8
72XH400	4	72	19.944	20.054	—	61/2	411/16	511/16	11/4	4
78XH400	4	78	21.516	21.725	—	61/2	411/16	511/16	11/4	4
80XH400	4	80	22.172	22.282	—	61/2	411/16	511/16	11/4	4
82XH400	4	82	22.729	22.839	—	61/2	411/16	511/16	11/4	4
84XH400	4	84	23.286	23.396	—	61/2	411/16	511/16	11/4	4
94XH400	4	94	26.071	26.181	—	61/2	411/16	511/16	11/4	4
96XH400	4	96	26.628	26.738	—	61/2	411/16	511/16	11/4	4
118XH400	4	118	32.756	32.865	—	61/2	411/16	511/16	11/4	4
120XH400	4	120	33.313	33.423	—	61/2	411/16	511/16	11/4	4

Timing pulley



XXH200 PITCH 1 1/4" (31.75mm)

NSPT Standard

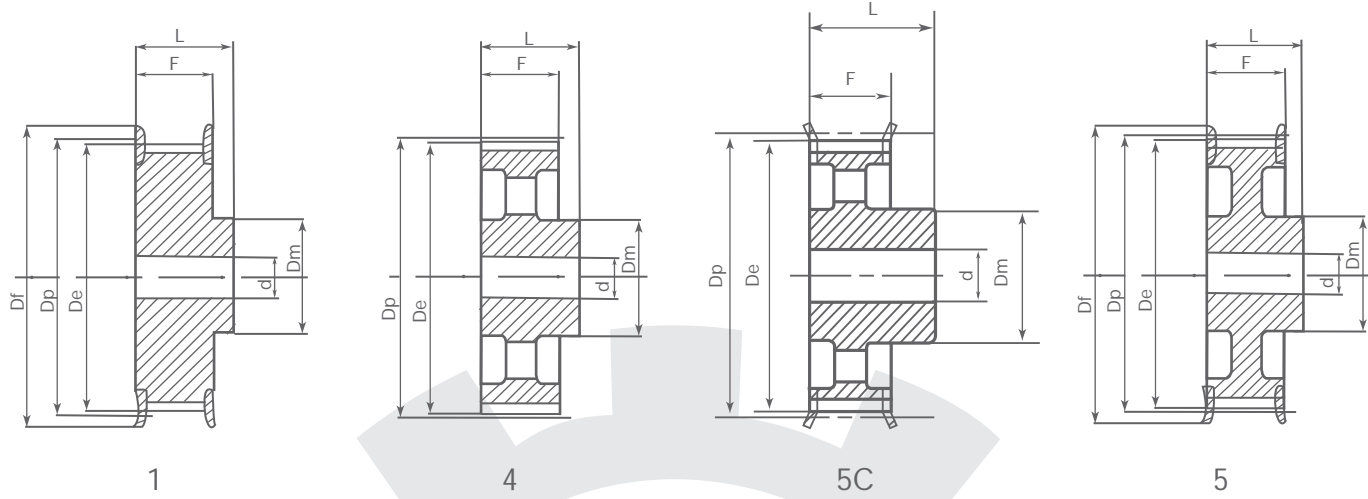
SPCFCTN	TYPE	Z	De	Dp	Df	Dm	F	L	Bore	
									stock	Max
18XXH200F	1	18	7.042	7.162	77/8	59/16	2 5/8	4	1 1/8	3 1/2
19XXH200F	1	19	7.440	7.560	81/8	59/16	2 5/8	4	1 1/8	3 1/2
20XXH200F	1	20	7.838	7.958	85/16	6	2 5/8	4	1 1/8	3 7/8
21XXH200F	1	21	8.236	8.356	815/16	6	2 5/8	4	1 1/8	3 7/8
22XXH200F	1	22	8.633	8.753	91/2	6	2 5/8	4	1 1/8	3 7/8
24XXH200F	5	24	9.429	9.549	105/16	6	2 5/8	4	1 1/8	3 7/8
25XXH200F	5	25	9.827	9.947	105/8	6	2 5/8	4	1 1/8	3 7/8
26XXH200F	5	26	10.225	10.345	111/16	6	2 5/8	4	1 1/8	3 7/8
27XXH200F	5	27	10.623	10.743	117/16	6	2 5/8	4 3/8	1 1/8	3 7/8
30XXH200F	5	30	11.817	11.937	1211/16	6	2 5/8	4 3/8	1 1/8	3 7/8
40XXH200F	5C	40	15.795	15.915	165/8	6	2 5/8	4 3/8	1 1/8	3 7/8
48XXH200	4	48	18.979	19.099	—	615/16	2 5/8	4 3/4	1 1/8	4 1/2
60XXH200	4	60	23.753	23.873	—	615/16	2 5/8	4 3/4	1 1/4	4 1/2
72XXH200	4	72	28.528	28.648	—	615/16	2 5/8	4 3/4	1 1/4	4 1/2
90XXH200	4	78	35.690	35.810	—	615/16	2 5/8	4 3/4	1 1/4	4 1/2

XXH300 PITCH 1 1/4" (31.75mm)

NSPT Standard

SPCFCTN	TYPE	Z	De	Dp	Df	Dm	F	L	Bore	
									stock	Max
18XXH300F	1	18	7.042	7.162	77/8	59/16	311/16	4 3/8	1 1/8	3 1/2
19XXH300F	1	19	7.440	7.560	81/8	59/16	311/16	4 3/8	1 1/8	3 1/2
20XXH300F	1	20	7.838	7.958	85/16	6	311/16	4 3/8	1 1/8	3 7/8
21XXH300F	1	21	8.236	8.356	815/16	6	311/16	4 3/8	1 1/8	3 7/8
22XXH300F	1	22	8.633	8.753	91/2	6	311/16	4 3/8	1 1/8	3 7/8
24XXH300F	5	24	9.429	9.549	105/16	6	311/16	4 3/8	1 1/8	3 7/8
25XXH300F	5	25	9.827	9.947	105/8	6	311/16	4 3/8	1 1/8	3 7/8
26XXH300F	5	26	10.225	10.345	111/16	6	311/16	4 3/8	1 1/8	3 7/8
27XXH300F	5	27	10.623	10.743	117/16	6	311/16	4 3/4	1 1/8	3 7/8
30XXH300F	5	30	11.817	11.937	1211/16	6	311/16	4 3/4	1 1/8	3 7/8
40XXH300F	5C	40	15.795	15.915	165/8	6	311/16	4 3/4	1 1/8	3 7/8
48XXH300	4	48	18.979	19.099	—	615/16	311/16	5	1 1/4	4 1/2
60XXH300	4	60	23.753	23.873	—	615/16	311/16	5	1 1/4	4 1/2
72XXH300	4	72	28.528	28.648	—	615/16	311/16	5	1 7/16	4 1/2
90XXH300	4	78	35.690	35.810	—	615/16	311/16	5	1 7/16	4 1/2

Timing pulley



XXH400 PITCH 1 1/4" (31.75mm)

NSPT Standard

SPCFCTN	TYPE	Z	De	Dp	Df	Dm	F	L	Bore	
									stock	Max
18XXH400F	1	18	7.042	7.162	77/8	59/16	43/4	59/16	11/8	31/2
19XXH400F	1	19	7.440	7.560	81/8	59/16	43/4	59/16	11/8	31/2
20XXH400F	1	20	7.838	7.958	85/16	6	43/4	59/16	11/8	37/8
21XXH400F	1	21	8.236	8.356	815/16	6	43/4	59/16	11/8	37/8
22XXH400F	1	22	8.633	8.753	91/2	6	43/4	59/16	11/8	37/8
24XXH400F	5	24	9.429	9.549	105/16	6	43/4	59/16	11/8	37/8
26XXH400F	5	26	10.225	10.345	111/16	6	43/4	59/16	11/8	37/8
27XXH400F	5	27	10.623	10.743	117/16	6	43/4	59/16	11/8	37/8
30XXH400F	5	30	11.817	11.937	1211/16	6	43/4	59/16	11/8	37/8
40XXH400F	5C	40	15.795	15.915	165/8	6	43/4	59/16	11/8	37/8
48XXH400	4	48	18.979	19.099	—	615/16	43/4	59/16	11/8	41/2
60XXH400	4	60	23.753	23.873	—	615/16	43/4	59/16	11/4	41/2
72XXH400	4	72	28.528	28.648	—	615/16	43/4	59/16	11/4	41/2
90XXH400	4	78	35.690	35.810	—	615/16	43/4	59/16	11/4	41/2

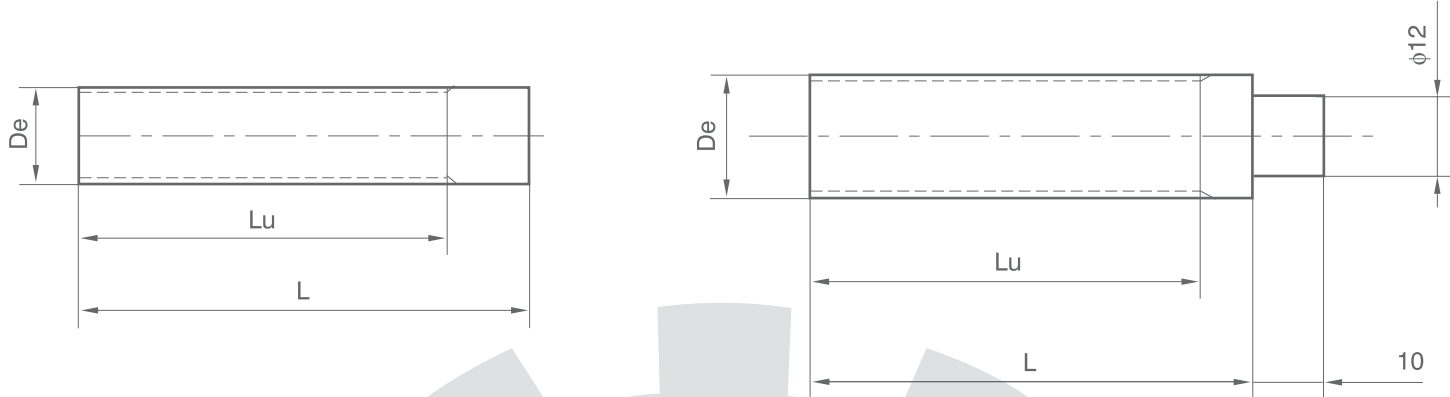
XXH500 PITCH 1 1/4" (31.75mm)

NSPT Standard

SPCFCTN	TYPE	Z	De	Dp	Df	Dm	F	L	Bore	
									stock	Max
18XXH500F	1	18	7.042	7.162	77/8	59/16	513/16	63/4	11/4	31/2
19XXH500F	1	19	7.440	7.560	81/8	59/16	513/16	63/4	11/4	31/2
20XXH500F	1	20	7.838	7.958	85/16	6	513/16	63/4	11/4	37/8
21XXH500F	1	21	8.236	8.356	815/16	6	513/16	63/4	11/4	37/8
22XXH500F	1	22	8.633	8.753	91/2	6	513/16	63/4	11/4	37/8
24XXH500F	5	24	9.429	9.549	105/16	6	513/16	63/4	11/4	37/8
26XXH500F	5	26	10.225	10.345	111/16	6	513/16	63/4	11/4	37/8
27XXH500F	5	27	10.623	10.743	117/16	6	513/16	63/4	11/4	37/8
30XXH500F	5	30	11.817	11.937	1211/16	6	513/16	63/4	11/4	37/8
40XXH500F	5C	40	15.795	15.915	165/8	6	513/16	63/4	11/4	37/8
48XXH500	4	48	18.979	19.099	—	615/16	513/16	63/4	17/16	41/2
60XXH500	4	60	23.753	23.873	—	615/16	513/16	63/4	17/16	41/2
72XXH500	4	72	28.528	28.648	—	615/16	513/16	63/4	17/16	41/2
90XXH500	4	78	35.690	35.810	—	615/16	513/16	63/4	17/16	41/2

Standard toothed bars

NSPT Standard



MXL-0.08

PCFCTN	Z	De	Lu	L
MXL10	10	0.235	2	3
MXL11	11	0.260	2	3
MXL12	12	0.286	2	3
MXL13	13	0.311	2	3
MXL14	14	0.337	2	3
MXL15	15	0.362	2	3
MXL16	16	0.387	2	3
MXL17	17	0.416	2	3
MXL18	18	0.438	2	3
MXL19	19	0.464	35/8	43/4
MXL20	20	0.489	35/8	43/4
MXL21	21	0.515	35/8	43/4
MXL22	22	0.540	5	55/8
MXL23	23	0.566	5	55/8
MXL24	24	0.591	5	55/8
MXL25	25	0.617	5	55/8
MXL26	26	0.642	5	55/8
MXL27	27	0.657	5	55/8
MXL28	28	0.667	5	55/8
MXL29	29	0.718	5	55/8
MXL30	30	0.744	5	55/8
MXL32	32	0.795	5	55/8
MXL34	34	0.846	5	55/8
MXL35	35	0.871	51/4	55/8
MXL36	36	0.897	51/4	55/8
MXL38	38	0.948	51/4	55/8
MXL40	40	0.999	51/4	55/8
MXL42	42	1.050	5 5/8	55/8
MXL44	44	1.100	55/8	55/8
MXL45	45	1.126	55/8	55/8
MXL48	48	1.202	55/8	55/8
MXL50	50	1.273	55/8	55/8
MXL60	60	1.508	63/8	63/8
MXL64	64	1.610	63/8	63/8
MXL65	65	1.635	63/8	63/8
MXL70	70	1.763	63/8	63/8
MXL72	72	1.813	63/8	63/8
MXL75	75	1.890	63/8	63/8
MXL90	90	2.272	63/8	63/8
MXL110	110	2.781	63/8	63/8

XL-1/5"

SPCFCTN	Z	De	Lu	L
XL10	10	0.617	5	55/8
XL11	11	0.680	5	55/8
XL12	12	0.744	5	55/8
XL13	13	0.807	5	55/8
XL14	14	0.871	51/4	55/8
XL15	15	0.935	51/4	55/8
XL16	16	0.998	55/8	55/8
XL17	17	1.062	55/8	55/8
XL18	18	1.126	55/8	55/8
XL19	19	1.190	55/8	55/8
XL20	20	1.253	55/8	55/8
XL21	21	1.317	63/8	63/8
XL22	22	1.381	63/8	63/8
XL23	23	1.441	63/8	63/8
XL24	24	1.508	63/8	63/8
XL25	25	1.572	63/8	63/8
XL26	26	1.635	63/8	63/8
XL27	27	1.699	63/8	63/8
XL28	28	1.763	63/8	63/8
XL29	29	1.826	63/8	63/8
XL30	30	1.889	63/8	63/8
XL32	32	2.017	63/8	63/8
XL33	33	2.077	63/8	63/8
XL34	34	2.144	63/8	63/8
XL35	35	2.208	63/8	63/8
XL36	36	2.272	63/8	63/8
XL38	38	2.399	63/8	63/8
XL39	39	2.463	63/8	63/8
XL40	40	2.526	63/8	63/8
XL41	41	2.590	63/8	63/8
XL42	42	2.654	63/8	63/8
XL43	43	2.717	63/8	63/8
XL44	44	2.781	63/8	63/8
XL48	48	3.036	63/8	63/8
XL56	50	3.545	63/8	63/8
XL60	60	3.800	63/8	63/8
XL72	72	4.564	63/8	63/8

L-3/8"

SPCFCTN	Z	De	Lu	L
L10	10	1.164	55/8	55/8
L11	11	1.283	55/8	55/8
L12	12	1.402	63/8	63/8
L13	13	1.522	63/8	63/8
L14	14	1.641	63/8	63/8
L15	15	1.761	63/8	63/8
L16	16	1.880	63/8	63/8
L17	17	1.999	63/8	63/8
L18	18	2.119	63/8	63/8
L19	19	2.238	63/8	63/8
L20	20	2.357	63/8	63/8
L21	21	2.477	63/8	63/8
L22	22	2.596	63/8	63/8
L23	23	2.715	63/8	63/8
L24	24	2.835	63/8	63/8
L27	27	3.193	63/8	63/8
L30	30	3.551	63/8	63/8

When supplied in small or medium quantities, tooth bars can be made into various finished products upon customers' needs. Meanwhile, NSPT offer flanges used on relevant timing pulleys.



**T_{aper}
B_{ore}** *Timing pulley*
L - H - XH

BTL *Taper Bushings*
QTL *Taper Bushings*
STL *Taper Bushings*

*Taper Bore Timing Pulleys
BTL-Taper Bushings*



*Taper Bore Timing Pulleys
QTL-Taper Bushings*



*Taper Bore Timing Pulleys
STL-Taper Bushings*

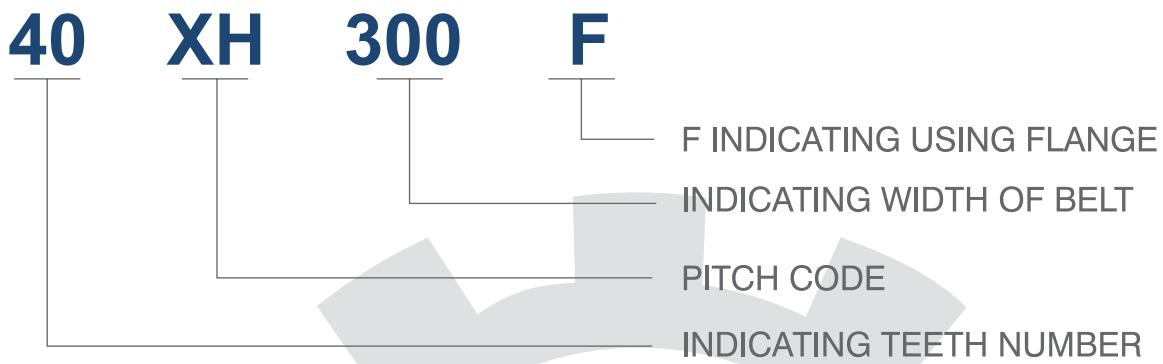
**T_{aper}
B_{ore}**

Timing pulley

BTL

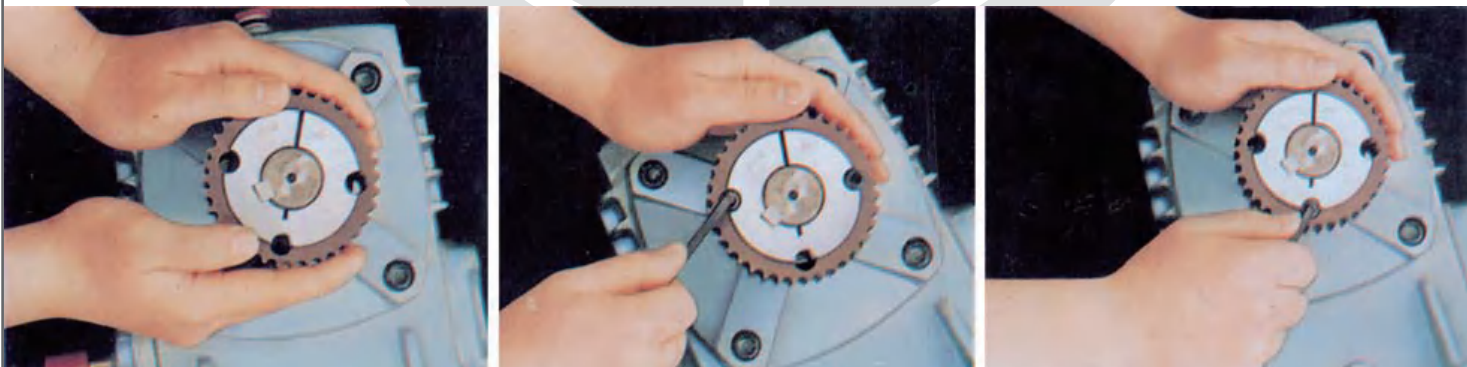
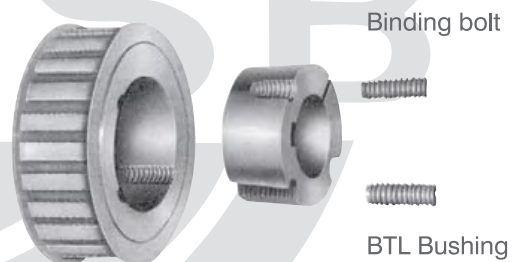
SPECIFICATION AND TYPE FOR TIMING BELT PULLEY

EXAMPLE:



The installation and usage of BTL Taper Bushings and Taper-lock Belt Pulleys

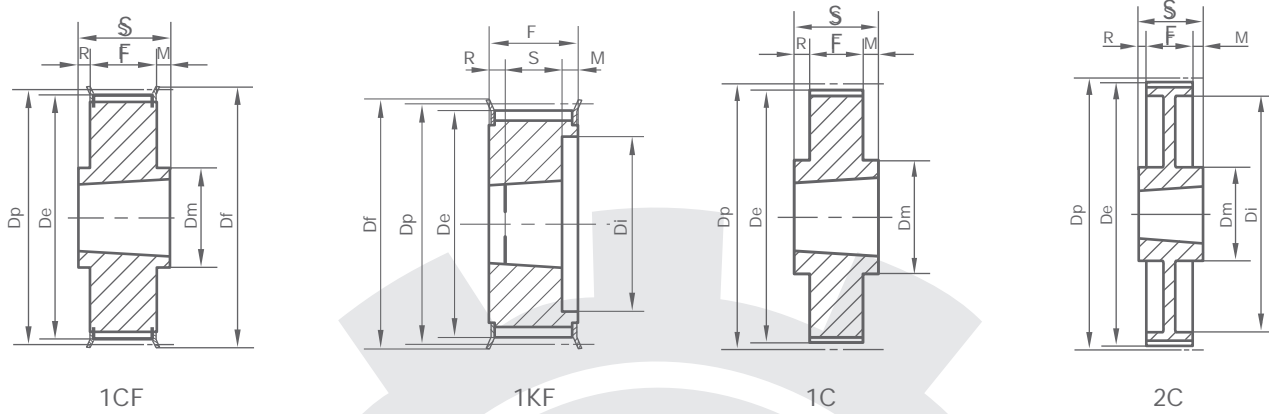
BTL Timing pulley is easy on and off.
 It can be used on variable hubs due to BTL
 Taper Bushing bores



Place BTL Taper Bushing and Timing Belt Pulley on the transmission shaft.

Insert screws into cap screw bore tighten the symmetrical screws. Then the pulley grips the shaft firmly through the taper surface of the bushing.

Take binding bolt out entirely. Insert it into the threaded holes, tighten it. This makes the bushing easily removed from the Pulley.

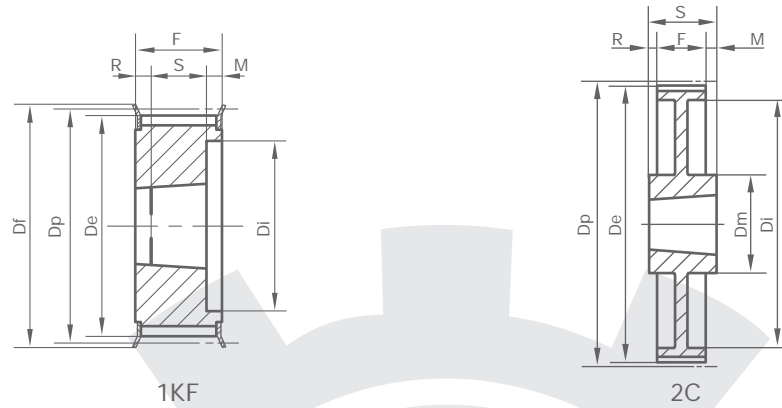


L050 PITCH 3/8" (9.525mm)

SPCFCTN	TYPE	Z	BUSH	Dp	De	Df	Dm	Di	F	S	R	M	wt Lbs
TB18L050F	1CF	18	1008	2.149	2.119	225/64	15/8	—	3/4	7/8	1/8	—	0.45
TB20L050F	1CF	20	1008	2.387	2.357	25/8	113/16	—	3/4	7/8	1/8	—	0.68
TB22L050F	1CF	22	1008	2.626	2.596	27/8	2	—	3/4	7/8	1/8	—	0.90
TB24L050F	1CF	24	1210	2.865	2.835	37/64	21/4	—	3/4	1	1/4	—	1.00
TB26L050F	1CF	26	1210	3.104	3.074	311/32	21/2	—	3/4	1	1/4	—	1.20
TB28L050F	1CF	28	1610	3.342	3.312	337/64	23/4	—	3/4	1	1/4	—	1.40
TB30L050F	1CF	30	1610	3.581	3.551	353/64	27/8	—	3/4	1	1/4	—	1.50
TB32L050F	1CF	32	1610	3.820	3.790	41/16	31/16	—	3/4	1	1/4	—	1.90
TB40L050F	1CF	40	2012	4.775	4.745	51/64	311/16	—	3/4	1 1/4	1/2	—	2.40
TB48L050F	1CF	48	2012	5.730	5.700	61/64	311/16	—	3/4	1 1/4	1/2	—	3.20
TB60L050	2C	60	2012	7.162	7.132	—	43/8	61/2	3/4	1 1/4	1/4	1/4	4.90

L075 PITCH 3/8" (9.525mm)

SPCFCTN	TYPE	Z	BUSH	Dp	De	Df	Dm	Di	F	S	R	M	wt Lbs
TB18L075F	1KF	18	1008	2.149	2.119	225/64	—	—	1	7/8	1/8	—	0.5
TB20L075F	1KF	20	1008	2.387	2.357	25/8	—	—	1	7/8	1/8	—	0.7
TB22L075F	1KF	22	1008	2.626	2.596	27/8	—	—	1	7/8	1/8	—	1.1
TB24L075F	1KF	24	1210	2.865	2.835	37/64	—	—	1	1	—	—	0.9
TB26L075F	1KF	26	1210	3.104	3.074	311/32	—	—	1	1	—	—	1.3
TB28L075F	1KF	28	1610	3.342	3.312	337/64	—	—	1	1	—	—	1.3
TB30L075F	1KF	30	1610	3.581	3.551	353/64	—	—	1	1	—	—	1.6
TB32L075F	1KF	32	1610	3.820	3.790	41/16	—	—	1	1	—	—	1.8
TB40L075F	1CF	40	2012	4.775	4.745	51/64	315/16	—	1	1 1/4	1/4	—	3.6
TB48L075F	1CF	48	2012	5.730	5.700	61/64	315/16	—	1	1 1/4	1/4	—	5.4
TB60L075	1C	60	2012	7.162	7.132	—	43/8	61/2	1	1 1/4	1/8	1/8	7.9



L100 PITCH 3/8" (9.525mm)

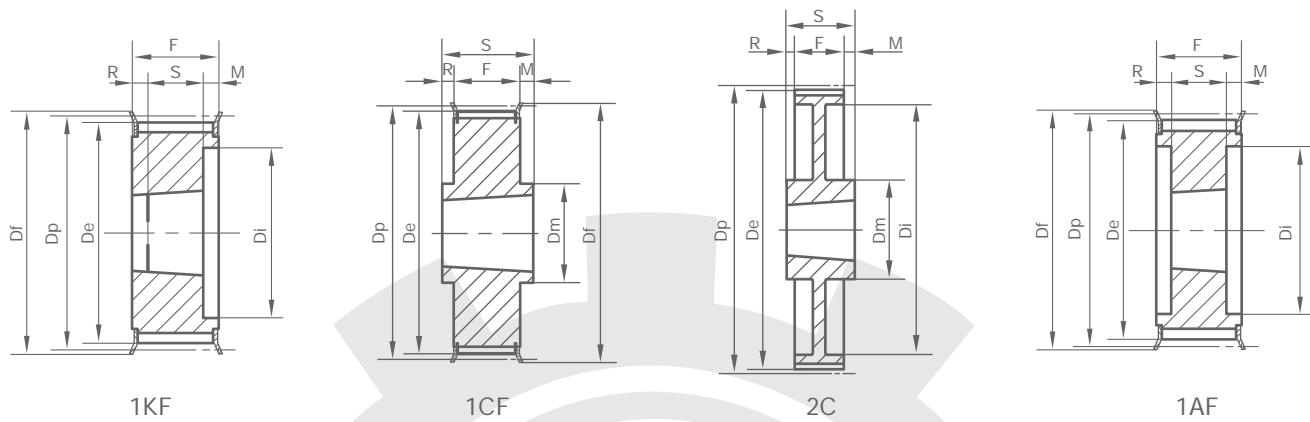
SPCFCTN	TYPE	Z	BUSH	Dp	De	Df	Dm	Di	F	S	R	M	wt Lbs
TB18L100F	1KF	18	1008	2.149	2.119	225/64	—	—	1 1/4	7/8	3/8	—	0.7
TB20L100F	1KF	20	1008	2.387	2.357	25/8	—	—	1 1/4	7/8	3/8	—	1.0
TB22L100F	1KF	22	1008	2.626	2.596	27/8	—	—	1 1/4	7/8	3/8	—	1.3
TB24L100F	1KF	24	1210	2.865	2.835	37/64	—	—	1 1/4	1	1/4	—	1.5
TB26L100F	1KF	26	1210	3.104	3.074	311/32	—	—	1 1/4	1	1/4	—	1.7
TB28L100F	1KF	28	1610	3.342	3.312	337/64	—	—	1 1/4	1	1/4	—	1.9
TB30L100F	1KF	30	1610	3.581	3.551	353/64	—	—	1 1/4	1	1/4	—	2.2
TB32L100F	1KF	32	1610	3.820	3.790	41/16	—	—	1 1/4	1	1/4	—	2.7
TB40L100F	1KF	40	2012	4.775	4.745	51/64	—	—	1 1/4	1 1/4	—	—	3.6
TB48L100F	1KF	48	2012	5.730	5.700	61/64	—	—	1 1/4	1 1/4	—	—	5.1
TB60L100	2C	60	2012	7.162	7.132	—	43/8	61/2	1 1/4	1 1/4	—	—	6.0

Bore Range

Bushings	Bore Range
1008	1/2-1"
1108	1/2-1 1/8"
1210 1215	1/2-1 1/4"
1310	1/2-1 3/8"
1610 1615	1/2-1 5/8"
2012 2017	1/2-2"
2517 2525	1/2-2 1/2"
3020 3030	7/8-3"
3525 3535	1 3/16-3 1/2"
4030 4040	1 7/16-4"
4535 4545	1 15/16-4 1/2"
5040 5050	2 7/16-5"

Standard Keyseats

Bore Range	Keyseat	Bore Range	Keyseat
1/2-9/16	1/8x1/16	25/16-23/4	5/8x5/16
5/8-7/8	3/16x3/32	213/16-31/4	3/4x3/8
15/16-1 1/4	1/4x1/8	35/16-33/4	7/8x7/16
15/16-1 3/8	5/16x5/32	313/16-41/2	1x1/2
17/16-1 3/4	3/8x3/16	49/16-51/2	1 1/4x5/8
1 13/16-2 1/4	1/2x1/4		

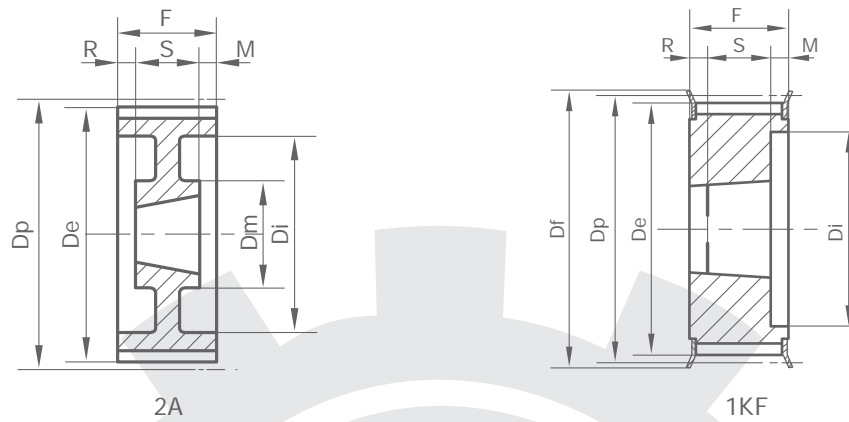


H100 PITCH 1/2" (12.70mm)

SPCFCTN	TYPE	Z	BUSH	Dp	De	Df	Dm	Di	F	S	R	M	wt Lbs
TB14H100F	1KF	14	1008	2.228	2.174	231/64	—	—	15/16	7/8	7/16	—	0.8
TB16H100F	1KF	16	1008	2.546	2.492	251/64	—	—	15/16	7/8	7/16	—	1.3
TB18H100F	1KF	18	1210	2.865	2.811	37/64	—	—	15/16	1	5/16	—	1.4
TB20H100F	1KF	20	1210	3.183	3.129	37/16	—	—	15/16	1	5/16	—	1.7
TB22H100F	1KF	22	1610	3.501	3.447	33/4	—	—	15/16	1	5/16	—	1.8
TB24H100F	1KF	24	1610	3.820	3.766	41/16	—	—	15/16	1	5/16	—	2.3
TB26H100F	1KF	26	2012	4.138	4.084	425/64	—	—	15/16	1 1/4	1/16	—	2.6
TB28H100F	1KF	28	2012	4.456	4.402	445/64	—	—	15/16	1 1/4	1/16	—	2.8
TB30H100F	1KF	30	2012	4.775	4.721	51/64	—	—	15/16	1 1/4	1/16	—	4.2
TB32H100F	1CF	32	2517	5.093	5.039	521/64	47/16	—	15/16	1 3/4	7/16	—	4.3
TB40H100F	1CF	40	2517	6.366	6.312	637/64	47/16	—	15/16	1 3/4	7/16	—	7.8
TB48H100F	1CF	48	2517	7.639	7.585	81/64	47/16	—	15/16	1 3/4	7/16	—	12.1
TB60H100	2C	60	3020	9.549	9.495	—	61/4	83/4	15/16	2	11/32	11/32	13.3

H150 PITCH 1/2" (12.70mm)

SPCFCTN	TYPE	Z	BUSH	Dp	De	Df	Dm	Di	F	S	R	M	wt Lbs
TB14H150F	1KF	14	1008	2.228	2.174	231/64	—	19/16	113/16	7/8	15/32	15/32	1.0
TB16H150F	1KF	16	1008	2.546	2.492	251/64	—	13/4	113/16	7/8	15/32	15/32	1.5
TB18H150F	1KF	18	1215	2.865	2.811	37/64	—	—	113/16	1 1/2	5/16	—	1.6
TB20H150F	1KF	20	1215	3.183	3.129	37/16	—	—	113/16	1 1/2	5/16	—	2.2
TB22H150F	1KF	22	1615	3.501	3.447	33/4	—	—	113/16	1 1/2	5/16	—	2.5
TB24H150F	1KF	24	2012	3.820	3.766	41/16	—	—	113/16	1 1/4	9/16	—	2.7
TB26H150F	1KF	26	2012	4.138	4.084	425/64	—	—	113/16	1 1/4	9/16	—	3.2
TB28H150F	1KF	28	2012	4.456	4.402	445/64	—	—	113/16	1 1/4	9/16	—	4.1
TB30H150F	1KF	30	2012	4.775	4.721	51/64	—	—	113/16	1 1/4	9/16	—	5.1
TB32H150F	1KF	32	2517	5.093	5.039	521/64	—	—	113/16	1 3/4	1/16	—	5.6
TB40H150F	1KF	40	2517	6.366	6.312	637/64	—	—	113/16	1 3/4	1/16	—	8.6
TB48H150F	1AF	48	2517	7.639	7.585	81/64	—	—	113/16	1 3/4	—	1/16	13.6
TB60H150	2C	60	3020	9.549	9.495	—	61/4	83/4	113/16	2	3/32	3/32	14.3



H200 PITCH 1/2" (12.70mm)

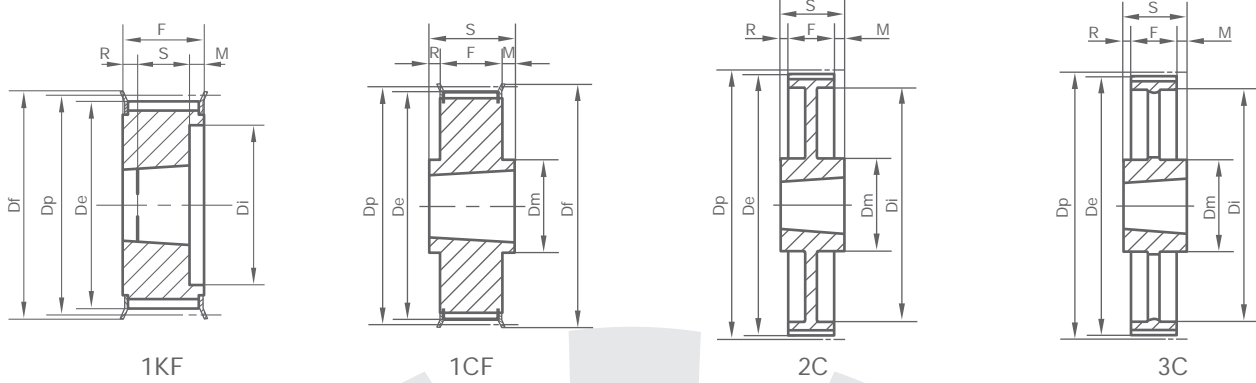
SPCFCTN	TYPE	Z	BUSH	Dp	De	Df	Dm	Di	F	S	R	M	wt Lbs
TB16H200F	1KF	16	1008	2.546	2.492	251/64	—	13/4	211/32	7/8	3/4	23/32	1.9
TB18H200F	1KF	18	1215	2.865	2.811	37/64	—	21/16	211/32	11/2	7/16	13/32	1.8
TB20H200F	1KF	20	1215	3.183	3.129	37/16	—	23/8	211/32	11/2	27/64	27/64	2.6
TB22H200F	1KF	22	1615	3.501	3.447	33/4	—	211/16	211/32	11/2	27/64	27/64	2.8
TB24H200F	1KF	24	2012	3.820	3.766	41/16	—	3	211/32	11/4	35/64	35/64	3.0
TB26H200F	1KF	26	2012	4.138	4.084	425/32	—	35/16	211/32	11/4	35/64	35/64	3.6
TB28H200F	1KF	28	2012	4.456	4.402	445/64	—	35/8	211/32	11/4	35/64	35/64	5.1
TB30H200F	1KF	30	2012	4.775	4.721	51/64	—	37/8	211/32	11/4	13/32	—	7.0
TB32H200F	1KF	32	2517	5.093	5.039	521/64	—	41/4	211/32	13/4	19/32	—	8.5
TB40H200F	1KF	40	2517	6.366	6.312	637/64	—	51/2	211/32	13/4	19/32	—	9.9
TB48H200F	1KF	48	3020	7.639	7.585	81/64	—	611/16	211/32	2	11/32	—	14.3
TB60H200	2A	60	3020	9.549	9.495	—	61/4	83/4	211/32	2	11/64	11/64	15.3

H300 PITCH 1/2" (12.70mm)

SPCFCTN	TYPE	Z	BUSH	Dp	De	Df	Dm	Di	F	S	R	M	wt Lbs
TB18H300F	1KF	18	1215	2.865	2.811	37/64	—	21/16	33/8	11/2	15/16	15/16	2.6
TB20H300F	1KF	20	1215	3.183	3.129	37/16	—	23/8	33/8	11/2	15/16	15/16	3.9
TB22H300F	1KF	22	1615	3.501	3.447	33/4	—	211/16	33/8	11/2	15/16	15/16	4.0
TB24H300F	1KF	24	2012	3.820	3.766	41/16	—	3	33/8	11/4	11/16	11/16	4.3
TB26H300F	1KF	26	2012	4.138	4.084	425/32	—	35/16	33/8	11/4	11/16	11/16	5.4
TB28H300F	1KF	28	2012	4.456	4.402	445/64	—	35/8	33/8	11/4	11/16	11/16	6.8
TB30H300F	1KF	30	2012	4.775	4.721	51/64	—	37/8	33/8	11/4	11/16	11/16	7.5
TB32H300F	1KF	32	2517	5.093	5.039	521/64	—	41/4	33/8	13/4	13/16	13/16	8.4
TB40H300F	1KF	40	2517	6.366	6.312	637/64	—	51/2	33/8	13/4	13/16	13/16	12.1
TB48H300F	1KF	48	3020	7.639	7.585	81/64	—	611/16	33/8	2	11/16	11/16	16.3
TB60H300	2A	60	3020	9.549	9.495	—	61/4	83/4	33/8	2	9/16	9/16	17.8

T_B^{aper} *Timing pulleys*

BTL



XH200 PITCH 7/8" (22.22mm)

SPCFCTN	TYPE	Z	BUSH	Dp	De	Df	Dm	Di	F	S	R	M	wt Lbs
TB22XH200F	1KF	22	2517	6.127	6.017	621/32	—	—	29/16	13/4	13/16	—	10.6
TB24XH200F	1KF	24	3020	6.686	6.576	79/32	—	—	29/16	2	9/16	—	11.3
TB26XH200F	1KF	26	3020	7.241	7.131	725/32	—	—	29/16	2	9/16	—	13.3
TB28XH200F	1CF	28	3535	7.779	7.689	817/64	61/2	—	29/16	31/2	15/16	—	14.5
TB30XH200F	1CF	30	3535	8.356	8.246	91/32	61/2	—	29/16	31/2	15/16	—	18.5
TB32XH200F	1CF	32	3535	8.913	8.803	933/64	61/2	—	29/16	31/2	15/16	—	21.5
TB40XH200F	1CF	40	4040	11.141	11.031	1151/64	81/2	—	29/16	4	17/16	—	37.5
TB48XH200	2C	48	4040	13.369	13.259	—	81/2	12	29/16	4	13/32	23/32	44.5
TB60XH200	3C	60	4040	16.601	16.601	—	81/2	15 5/16	29/16	4	23/32	23/32	49.0

XH300 PITCH 7/8" (22.22mm)

SPCFCTN	TYPE	Z	BUSH	Dp	De	Df	Dm	Di	F	S	R	M	wt Lbs
TB22XH300F	1KF	22	2517	6.127	6.017	621/32	—	411/16	35/8	13/4	15/16	15/16	13.6
TB24XH300F	1KF	24	3020	6.686	6.576	79/32	—	51/4	35/8	2	13/16	13/16	15.3
TB26XH300F	1KF	26	3020	7.241	7.131	725/32	—	513/16	35/8	2	13/16	13/16	17.3
TB28XH300F	1KF	28	3535	7.779	7.689	817/64	—	63/8	35/8	31/2	1/8	—	19.5
TB30XH300F	1KF	30	3535	8.356	8.246	91/32	—	615/16	35/8	31/2	1/8	—	22.5
TB32XH300F	1KF	32	3535	8.913	8.803	933/64	—	71/2	35/8	31/2	1/8	—	26.5
TB40XH300F	1CF	40	4040	11.141	11.031	1151/64	73/4	—	35/8	4	3/8	—	43.5
TB48XH300	2C	48	4040	13.369	13.259	—	81/2	1115/16	35/8	4	3/16	3/16	51.5
TB60XH300	3C	60	4040	16.711	16.601	—	81/2	155/16	35/8	4	3/16	3/16	55.5

Bore Range

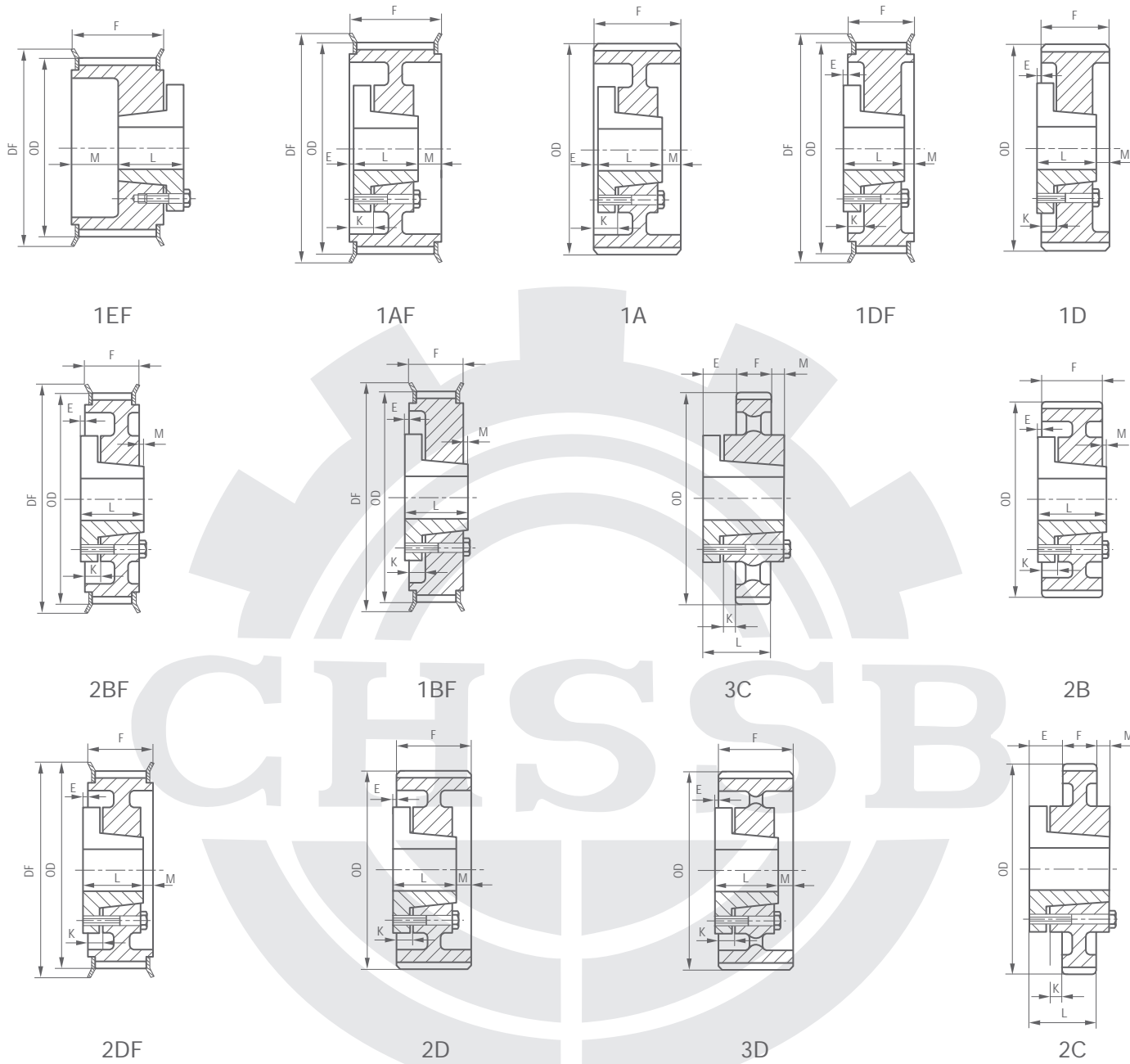
Bushings	Bore Range
2012 2017	1/2-2"
2517 2525	1/2-2 1/2"
3020 3030	7/8-3"
3525 3535	13/16-3 1/2"
4030 4040	1 7/16-4"
4535 4545	1 15/16-4 1/2"
5040 5050	2 7/16-5"

Standard Keyseats

Bore Range	Keyseat	Bore Range	Keyseat
1/2-9/16	1/8x1/16	25/16-23/4	5/8x5/16
5/8-7/8	3/16x3/32	213/16-31/4	3/4x3/8
15/16-11/4	1/4x1/8	35/16-33/4	7/8x7/16
15/16-13/8	5/16x5/32	313/16-41/2	1x1/2
17/16-13/4	3/8x3/16	49/16-51/2	1 1/4x5/8
113/16-21/4	1/2x1/4		

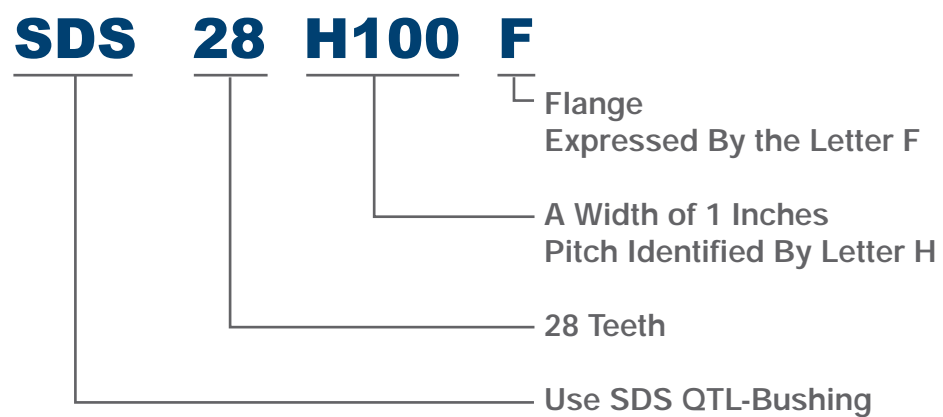
T_B^{aper} **Timing pulley**

QTL



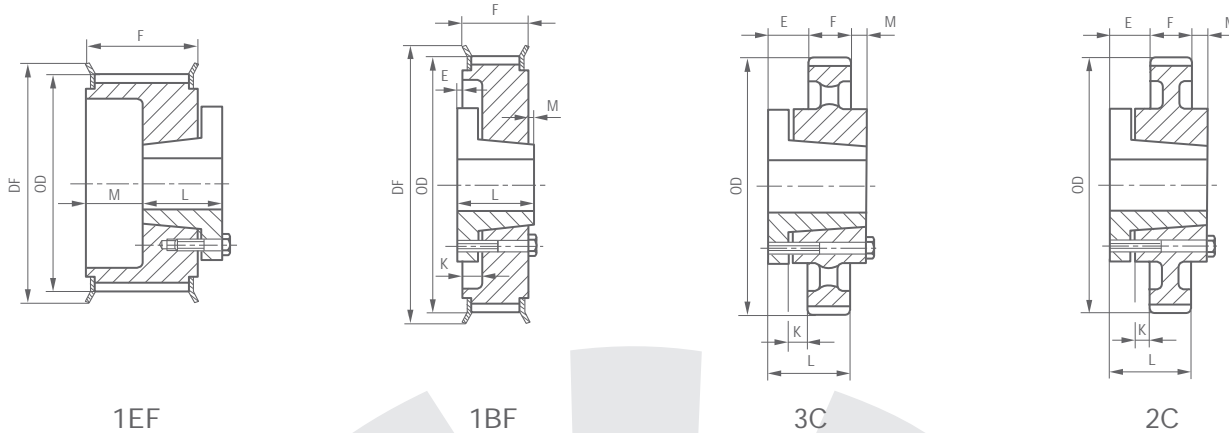
SPECIFICATION AND TYPE FOR TIMING BELT PULLEY

EXAMPLE



T_B^{aper} **Timing pulley**

QTL

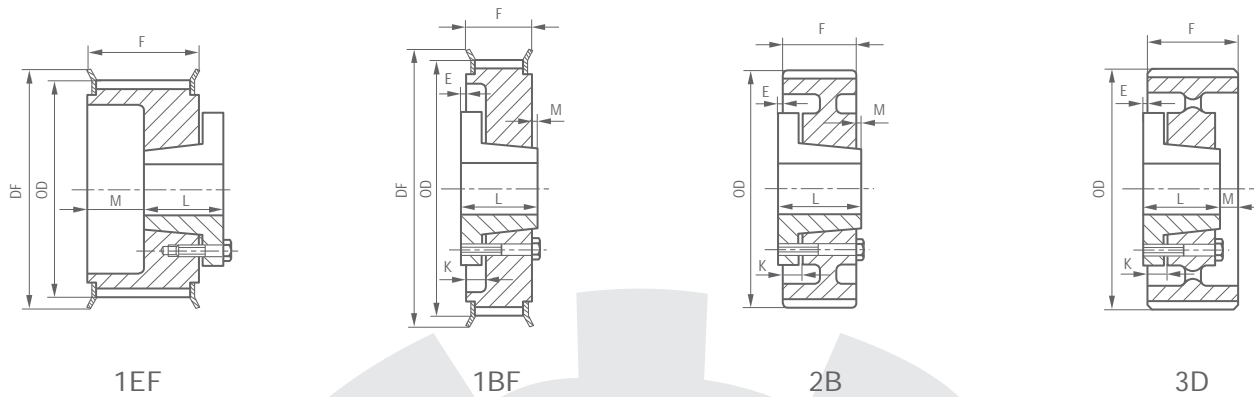


L050 PITCH 3/8" (9.525mm)

SPCFCTN	TYPE	BUSH	Z	PD	OD	DF	F	E	K	L	M
JA18L050F	1EF	JA	18	2.149	2.119	27/16	3/4	1/2	—	1	—
JA20L050F	1EF	JA	20	2.387	2.357	25/8	3/4	1/2	—	1	—
JA22L050F	1EF	JA	22	2.626	2.596	27/8	3/4	1/2	—	1	—
SH24L050F	1EF	SH	24	2.865	2.835	31/8	3/4	21/32	—	15/16	—
SH26L050F	1BF	SH	26	3.104	3.074	33/8	3/4	21/32	—	15/16	—
SH28L050F	1BF	SH	28	3.342	3.312	35/8	3/4	21/32	—	15/16	—
SDS30L050F	1BF	SDS	30	3.581	3.551	313/16	3/4	21/32	—	15/16	—
SDS32L050F	1BF	SDS	32	3.820	3.790	41/16	3/4	21/32	—	15/16	—
SDS36L050F	1BF	SDS	36	4.297	4.267	417/32	3/4	21/32	—	15/16	—
SDS40L050F	1BF	SDS	40	4.775	4.745	5	3/4	21/32	—	15/16	—
SDS44L050F	1BF	SDS	44	5.252	5.222	531/64	3/4	21/32	—	15/16	—
SDS48L050F	1BF	SDS	48	5.730	5.700	6	3/4	21/32	—	15/16	—
SD60L050	2C	SD	60	7.162	7.132	—	3/4	29/32	1/4	113/16	1/4
SD72L050	3C	SD	72	8.594	8.564	—	3/4	29/32	1/4	113/16	1/4
SD84L050	3C	SD	84	10.027	9.997	—	3/4	29/32	1/4	113/16	1/4
SD96L050	3C	SD	96	11.459	11.429	—	3/4	29/32	1/4	113/16	1/4
SD120L050	3C	SD	120	14.324	14.294	—	3/4	29/32	1/4	113/16	1/4

L075 PITCH 3/8" (9.525mm)

SPCFCTN	TYPE	BUSH	Z	PD	OD	DF	F	E	K	L	M
JA18L075F	1EF	JA	18	2.149	2.119	27/16	1	1/2	—	1	3/8
JA20L075F	1EF	JA	20	2.387	2.357	25/8	1	1/2	—	1	3/8
JA22L075F	1EF	JA	22	2.626	2.596	27/8	1	1/2	—	1	3/8
SH24L075F	1EF	SH	24	2.865	2.835	31/8	1	21/32	—	15/16	5/16
SH26L075F	1EF	SH	26	3.104	3.074	33/8	1	21/32	—	15/16	5/16
SH28L075F	1EF	SH	28	3.342	3.312	35/8	1	21/32	—	15/16	5/16
SDS30L075F	1EF	SDS	30	3.581	3.551	313/16	1	21/32	—	15/16	5/16
SDS32L075F	1EF	SDS	32	3.820	3.790	41/16	1	21/32	—	15/16	5/16
SDS36L075F	1BF	SDS	36	4.297	4.267	417/32	1	13/32	1/4	15/16	—
SDS40L075F	1BF	SDS	40	4.775	4.745	5	1	13/32	1/4	15/16	—
SDS44L075F	1BF	SDS	44	5.252	5.222	531/64	1	13/32	1/4	15/16	—
SDS48L075F	1BF	SDS	48	5.730	5.700	6	1	13/32	1/4	15/16	—
SD60L075	2C	SD	60	7.162	7.132	—	1	25/32	1/8	113/16	1/8
SD72L075	3C	SD	72	8.594	8.564	—	1	25/32	1/8	113/16	1/8
SD84L075	3C	SD	84	10.027	9.997	—	1	25/32	1/8	113/16	1/8
SD96L075	3C	SD	96	11.459	11.429	—	1	25/32	1/8	113/16	1/8
SD120L075	3C	SD	120	14.324	14.294	—	1	25/32	1/8	113/16	1/8



L100 PITCH 3/8" (9.525mm)

SPCFCTN	TYPE	BUSH	Z	PD	OD	DF	F	E	K	L	M
JA18L100F	1EF	JA	18	2.149	2.119	27/16	1 1/4	1/2	—	1	5/8
JA20L100F	1EF	JA	20	2.387	2.357	25/8	1 1/4	1/2	—	1	5/8
JA22L100F	1EF	JA	22	2.626	2.596	27/8	1 1/4	1/2	—	1	5/8
SH24L100F	1EF	SH	24	2.865	2.835	3 1/8	1 1/4	21/32	—	15/16	1/2
SH26L100F	1EF	SH	26	3.104	3.074	3 3/8	1 1/4	21/32	—	15/16	1/2
SH28L100F	1EF	SH	28	3.342	3.312	3 5/8	1 1/4	21/32	—	15/16	1/2
SDS30L100F	1EF	SDS	30	3.581	3.551	3 13/16	1 1/4	21/32	—	15/16	1/2
SDS32L100F	1EF	SDS	32	3.820	3.790	4 1/16	1 1/4	21/32	—	15/16	1/2
SDS36L100F	1BF	SDS	36	4.297	4.267	4 17/32	1 1/4	5/32	1/2	15/16	—
SDS40L100F	1BF	SDS	40	4.775	4.745	5	1 1/4	5/32	1/2	15/16	—
SDS44L100F	1BF	SDS	44	5.252	5.222	5 31/64	1 1/4	5/32	1/2	15/16	—
SDS48L100F	1BF	SDS	48	5.730	5.700	6	1 1/4	5/32	1/2	15/16	—
SD60L100	2B	SD	60	7.162	7.132	—	1 1/4	21/32	—	1 13/16	—
SD72L100	3D	SD	72	8.594	8.564	—	1 1/4	21/32	—	1 13/16	—
SD84L100	3D	SD	84	10.027	9.997	—	1 1/4	21/32	—	1 13/16	—
SD96L100	3D	SD	96	11.459	11.429	—	1 1/4	21/32	—	1 13/16	—
SD120L100	3D	SD	120	14.324	14.294	—	1 1/4	21/32	—	1 13/16	—

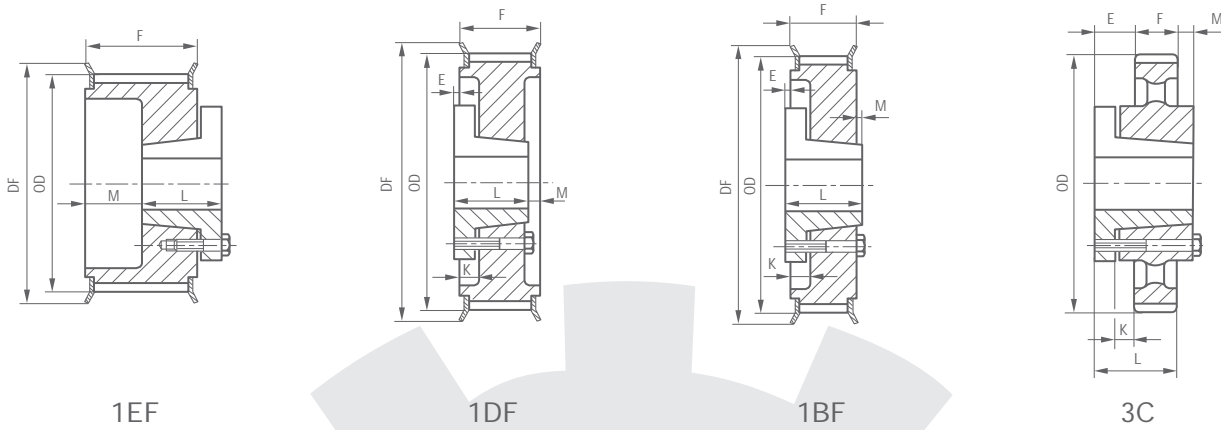
Bore Range

QTL BUSHINGS	Bore	
	Min	Max
JA	1/2	1 1/4
SH	1/2	1 5/16
SDS	1/2	2
SD	1/2	2

Standard Keyseats

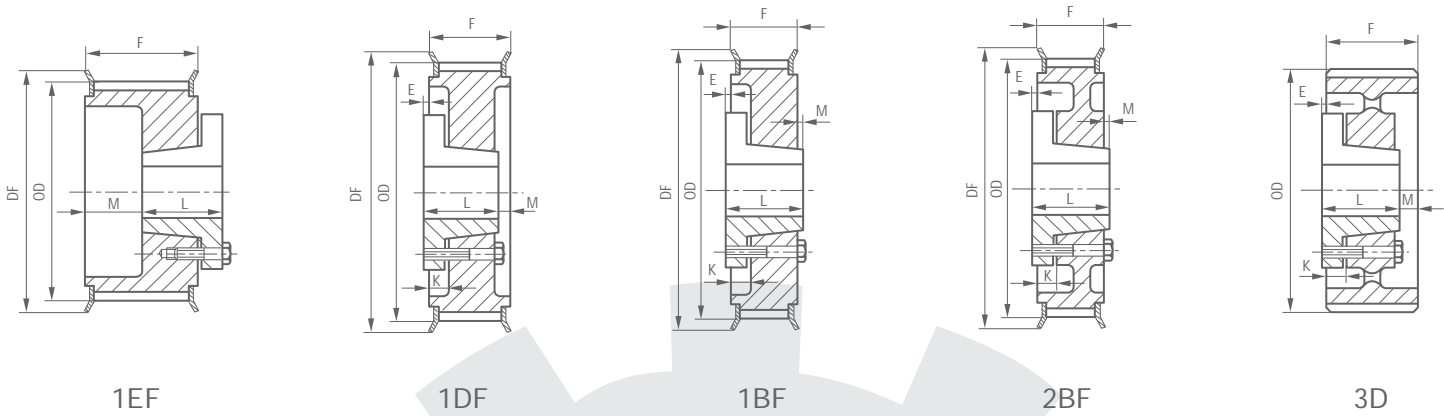
Bore Range	Keyseat
15/16"-1 1/4"	1/4"x1/8"
15/16"-1 3/8"	5/16x5/32
17/16"-1 3/4"	3/8x3/16
1 13/16"-2 1/4"	1/2x1/4

1 3/8" Bore Bushings also available with 3/8"x3/16" Keyseat.



H100 PITCH 1/2" (12.70mm)

SPCFCTN	TYPE	BUSH	Z	PD	OD	DF	F	E	K	L	M
JA14H100F	1EF	JA	14	2.228	2.174	215/32	15/16	1/2	—	1	11/16
JA16H100F	1EF	JA	16	2.546	2.492	225/32	15/16	1/2	—	1	11/16
SH18H100F	1EF	SH	18	2.865	2.811	31/8	15/16	21/32	—	15/16	5/8
SH19H100F	1EF	SH	19	3.024	2.970	31/4	15/16	21/32	—	15/16	5/8
SH20H100F	1EF	SH	20	3.183	3.129	33/8	15/16	21/32	—	15/16	5/8
SH21H100F	1EF	SH	21	3.342	3.288	35/8	15/16	21/32	—	15/16	5/8
SDS22H100F	1EF	SDS	22	3.501	3.447	33/4	15/16	21/32	—	15/16	5/8
SDS23H100F	1EF	SDS	23	3.661	3.607	37/8	15/16	21/32	—	15/16	5/8
SDS24H100F	1EF	SDS	24	3.820	3.766	41/16	15/16	21/32	—	15/16	5/8
SDS25H100F	1EF	SDS	25	3.979	3.925	43/16	15/16	21/32	—	15/16	5/8
SDS26H100F	1DF	SDS	26	4.138	4.084	43/8	15/16	5/32	1/2	15/16	—
SDS27H100F	1DF	SDS	27	4.297	4.243	411/16	15/16	5/32	1/2	15/16	—
SDS28H100F	1DF	SDS	28	4.456	4.402	411/16	15/16	5/32	1/2	15/16	—
SD29H100F	1BF	SD	29	4.615	4.501	5	15/16	21/32	—	113/16	—
SD30H100F	1BF	SD	30	4.775	4.721	5	15/16	21/32	—	113/16	—
SD31H100F	1BF	SD	31	4.934	4.880	55/16	15/16	21/32	—	113/16	—
SK32H100F	1BF	SK	32	5.093	5.093	55/16	15/16	25/32	—	115/16	—
SK33H100F	1BF	SK	33	5.252	5.198	51/2	15/16	25/32	—	115/16	—
SK34H100F	1BF	SK	34	5.411	5.357	55/8	15/16	25/32	—	115/16	—
SK35H100F	1BF	SK	35	5.570	5.516	6	15/16	25/32	—	115/16	—
SK36H100F	1BF	SK	36	5.730	5.676	6	15/16	25/32	—	115/16	—
SK37H100F	1BF	SK	37	5.889	5.835	61/8	15/16	25/32	—	115/16	—
SK38H100F	1BF	SK	38	6.048	5.994	61/4	15/16	25/32	—	115/16	—
SK39H100F	1BF	SK	39	6.207	6.153	69/16	15/16	25/32	—	115/16	—
SK40H100F	1BF	SK	40	6.366	6.312	69/16	15/16	25/32	—	115/16	—
SK41H100F	1BF	SK	41	6.525	6.471	63/4	15/16	25/32	—	115/16	—
SK42H100F	1BF	SK	42	6.684	6.630	67/8	15/16	25/32	—	115/16	—
SK43H100F	1BF	SK	43	6.844	6.790	71/8	15/16	25/32	—	115/16	—
SK44H100F	1BF	SK	44	7.003	6.949	71/4	15/16	25/32	—	115/16	—
SK45H100F	1BF	SK	45	7.162	7.108	73/8	15/16	25/32	—	115/16	—
SK48H100F	1BF	SK	48	7.639	7.585	77/8	15/16	25/32	—	115/16	—
SF60H100	3C	SF	60	9.549	9.495	—	15/16	27/32	—	21/16	—
SF72H100	3C	SF	72	11.459	11.405	—	15/16	27/32	—	21/16	—
SF84H100	3C	SF	84	13.369	13.315	—	15/16	27/32	—	21/16	—
SF96H100	3C	SF	96	15.279	15.225	—	15/16	27/32	—	21/16	—
SF120H100	3C	SF	120	19.099	19.055	—	15/16	27/32	—	21/16	—
SF156H100	3C	SF	156	24.828	24.774	—	15/16	27/32	—	21/16	—



H150 PITCH 1/2" (12.70mm)

SPCFCTN	TYPE	BUSH	Z	PD	OD	DF	F	E	K	L	M
JA14H150F	1EF	JA	14	2.228	2.174	215/32	113/16	1/2	—	1	13/16
JA16H150F	1EF	JA	16	2.546	2.492	225/32	113/16	1/2	—	1	13/16
SH18H150F	1EF	SH	18	2.865	2.811	31/8	113/16	21/32	—	15/16	11/8
SH20H150F	1EF	SH	20	3.183	3.129	35/8	113/16	21/32	—	15/16	11/8
SD22H150F	1EF	SD	22	3.501	3.447	33/4	113/16	21/32	—	113/16	9/16
SD24H150F	1EF	SD	24	3.820	3.766	41/16	113/16	21/32	—	113/16	9/16
SD26H150F	1DF	SD	26	4.138	4.084	43/8	113/16	5/32	1/2	113/16	1/16
SD28H150F	1DF	SD	28	4.456	4.402	411/16	113/16	5/32	1/2	113/16	1/16
SD30H150F	1BF	SD	30	4.775	4.721	5	113/16	3/32	9/16	113/16	—
SK32H150F	1BF	SK	32	5.093	5.093	55/16	113/16	7/32	9/16	115/16	—
SK36H150F	1BF	SK	36	5.730	5.676	6	113/16	7/32	9/16	115/16	—
SK40H150F	1BF	SK	40	6.366	6.312	69/16	113/16	7/32	9/16	115/16	—
SK44H150F	1BF	SK	44	7.003	6.949	71/4	113/16	7/32	9/16	115/16	—
SK48H150F	2BF	SK	48	7.639	7.585	77/8	113/16	7/32	9/16	115/16	—
SF60H150	3D	SF	60	9.549	9.495	—	113/16	9/16	9/32	21/16	9/32
SF72H150	3D	SF	72	11.459	11.405	—	113/16	9/16	9/32	21/16	9/32
SF84H150	3D	SF	84	13.369	13.315	—	113/16	9/16	9/32	21/16	9/32
SF96H150	3D	SF	96	15.279	15.225	—	113/16	9/16	9/32	21/16	9/32
SF120H150	3D	SF	120	19.099	19.055	—	113/16	9/16	9/32	21/16	9/32
SF156H150	3D	SF	156	24.828	24.774	—	113/16	9/16	9/32	21/16	9/32

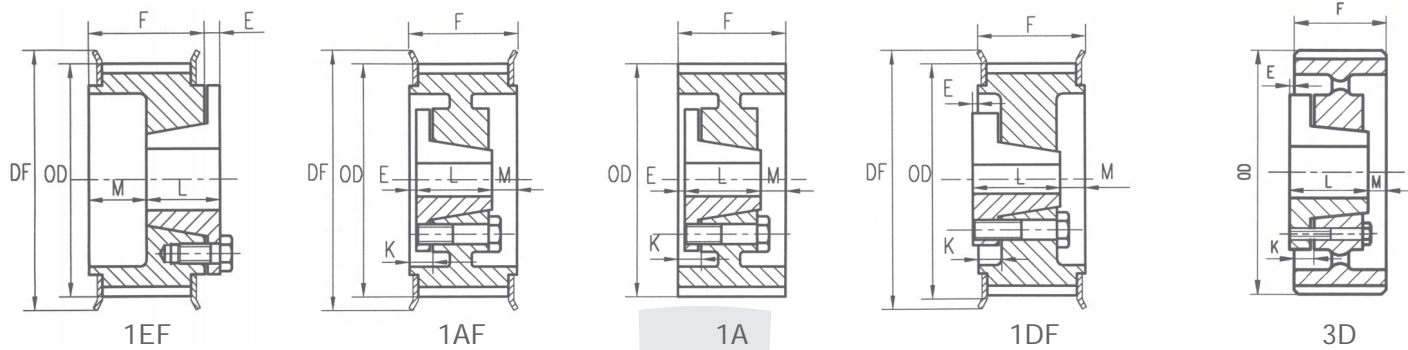
Bore Range

QTL BUSHINGS	Bore	
	Min	Max
JA	1/2	11/4
SH	1/2	15/16
SD	1/2	2
SK	1/2	25/8
SF	1/2	215/16

Standard Keyseats

Bore Range	Keyseat
15/16"-1 1/4"	1/4"x1/8"
15/16-13/8	5/16x5/32
17/16-13/4	3/8x3/16
113/16-21/4	1/2x1/4
25/16-23/4	5/8x5/16
213/16-31/4	3/4x3/8

1 3/8" Bore Bushings also available with 3/8"x3/16" Keyseat.

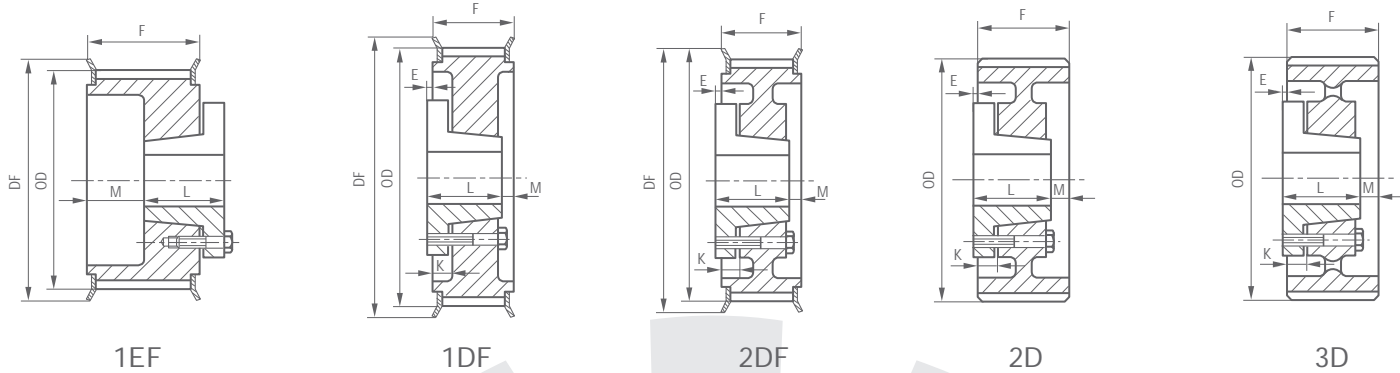


H200 PITCH 1/2" (12.70mm)

SPCFCTN	TYPE	BUSH	Z	PD	OD	DF	F	E	K	L	M
JA14H200F	1EF	JA	14	2.228	2.174	215/32	211/32	1/2	—	1	123/32
JA16H200F	1EF	JA	16	2.546	2.492	225/32	211/32	1/2	—	1	123/32
SH18H200F	1EF	SH	18	2.865	2.811	31/8	211/32	21/32	—	15/16	121/32
SH20H200F	1EF	SH	20	3.183	3.129	35/8	211/32	21/32	—	15/16	121/32
SD22H200F	1EF	SD	22	3.501	3.447	33/4	211/32	21/32	—	113/16	13/32
SD24H200F	1EF	SD	24	3.820	3.766	41/16	211/32	21/32	—	113/16	13/32
SD26H200F	1DF	SD	26	4.138	4.084	43/8	211/32	1/32	5/8	113/16	9/16
SD28H200F	1DF	SD	28	4.456	4.402	411/16	211/32	1/32	5/8	113/16	9/16
SD30H200F	1DF	SD	30	4.775	4.721	5	211/32	3/32	19/32	113/16	5/8
SK32H200F	1DF	SK	32	5.093	5.093	55/16	211/32	3/32	11/16	115/16	1/2
SK36H200F	1DF	SK	36	5.730	5.676	6	211/32	3/32	11/16	115/16	1/2
SK40H200F	1DF	SK	40	6.366	6.312	69/16	211/32	3/32	11/16	115/16	1/2
SK44H200F	1DF	SK	44	7.003	6.949	71/4	211/32	3/32	11/16	115/16	1/2
SF48H200F	1DF	SF	48	7.639	7.585	77/8	211/32	9/32	1/2	21/16	15/32
SF60H200	3D	SF	60	9.549	9.495	—	211/32	9/32	1/2	21/16	15/32
SF72H200	3D	SF	72	11.459	11.405	—	211/32	9/32	1/2	21/16	15/32
SF84H200	3D	SF	84	13.369	13.315	—	211/32	9/32	1/2	21/16	15/32
E96H200	3D	E	96	15.279	15.225	—	211/32	25/32	23/64	23/4	11/32
E120H200	3D	E	120	19.099	19.055	—	211/32	25/32	23/64	23/4	11/32
E156H200	3D	E	156	24.828	24.774	—	211/32	25/32	23/64	23/4	11/32

H300 PITCH 1/2" (12.70mm)

SPCFCTN	TYPE	BUSH	Z	PD	OD	DF	F	E	K	L	M
SD22H300F	1EF	SD	22	3.501	3.447	33/4	33/8	21/32	—	113/16	27/32
SD24H300F	1EF	SD	24	3.820	3.766	41/16	33/8	21/32	—	113/16	27/32
SD26H300F	1DF	SD	26	4.138	4.084	43/8	33/8	1/32	5/8	113/16	11/2
SD28H300F	1DF	SD	28	4.456	4.402	411/16	33/8	1/32	5/8	113/16	11/2
SD30H300F	1AF	SD	30	4.775	4.721	5	33/8	13/32	11/16	113/16	11/16
SK32H300F	1AF	SK	32	5.093	5.093	55/16	33/8	9/32	11/16	115/16	11/16
SK36H300F	1AF	SK	36	5.730	5.676	6	33/8	9/32	11/16	115/16	11/16
SK40H300F	1AF	SK	40	6.366	6.312	69/16	33/8	9/32	11/16	115/16	11/16
SK44H300F	1AF	SK	44	7.003	6.949	71/4	33/8	9/32	11/16	115/16	11/16
SF48H300F	1AF	SF	48	7.639	7.585	77/8	33/8	5/32	11/16	21/16	11/16
SF60H300	3D	SF	60	9.549	9.495	—	33/8	5/32	11/16	21/16	11/16
SF72H300	3D	SF	72	11.459	11.405	—	33/8	5/32	11/16	21/16	11/16
SF84H300	3D	SF	84	13.369	13.315	—	33/8	5/32	11/16	21/16	11/16
E96H300	3D	E	96	15.279	15.225	—	33/8	9/32	7/8	23/4	7/8
E120H300	3D	E	120	19.099	19.055	—	33/8	9/32	7/8	23/4	7/8
E156H300	3D	E	156	24.828	24.774	—	33/8	9/32	7/8	23/4	7/8



XH200 PITCH 7/8" (22.22mm)

SPCFCTN	TYPE	BUSH	Z	PD	OD	DF	F	E	K	L	M
SK18XH200F	1EF	SK	18	5.013	4.903	59/16	29/16	25/32	—	115/16	1 5/16
SK20XH200F	1DF	SK	20	5.570	5.460	61/8	29/16	1/8	21/32	115/16	21/32
SK21XH200F	1DF	SK	21	5.849	5.739	61/4	29/16	1/8	21/32	115/16	21/32
SK22XH200F	1DF	SK	22	6.127	6.017	611/16	29/16	1/8	21/32	115/16	21/32
SK23XH200F	1DF	SK	23	6.406	6.296	613/16	29/16	1/8	21/32	115/16	21/32
SF24XH200F	1DF	SF	24	6.685	6.575	71/4	29/16	3/16	21/32	21/16	21/32
SF25XH200F	1DF	SF	25	6.963	6.853	71/4	29/16	3/16	21/32	21/16	21/32
SF26XH200F	1DF	SF	26	7.241	7.131	73/4	29/16	3/16	21/32	21/16	21/32
SF27XH200F	1DF	SF	27	7.520	7.410	715/16	29/16	3/16	21/32	21/16	21/32
E28XH200F	1DF	E	28	7.799	7.689	83/8	29/16	11/16	15/32	23/4	15/32
E29XH200F	1DF	E	29	8.077	7.967	81/2	29/16	11/16	15/32	23/4	15/32
E30XH200F	1DF	E	30	8.356	8.246	87/8	29/16	11/16	15/32	23/4	15/32
E32XH200F	1DF	E	32	8.913	8.803	97/16	29/16	11/16	15/32	23/4	15/32
E36XH200F	2DF	E	36	10.027	9.917	109/16	29/16	11/16	15/32	23/4	15/32
F40XH200F	2DF	F	40	11.141	11.031	1111/16	29/16	15/16	1/32	33/4	1/32
F48XH200	2D	F	48	13.369	13.259	—	29/16	15/16	1/32	33/4	1/32
F60XH200	3D	F	60	16.711	16.601	—	29/16	15/16	1/32	33/4	1/32
F72XH200	3D	F	72	20.054	19.944	—	29/16	15/16	1/32	33/4	1/32
F84XH200	3D	F	84	23.396	23.286	—	29/16	15/16	1/32	33/4	1/32
F96XH200	3D	F	96	26.738	26.628	—	29/16	15/16	1/32	33/4	1/32
F120XH200	3D	F	120	33.423	33.313	—	29/16	15/16	1/32	33/4	1/32

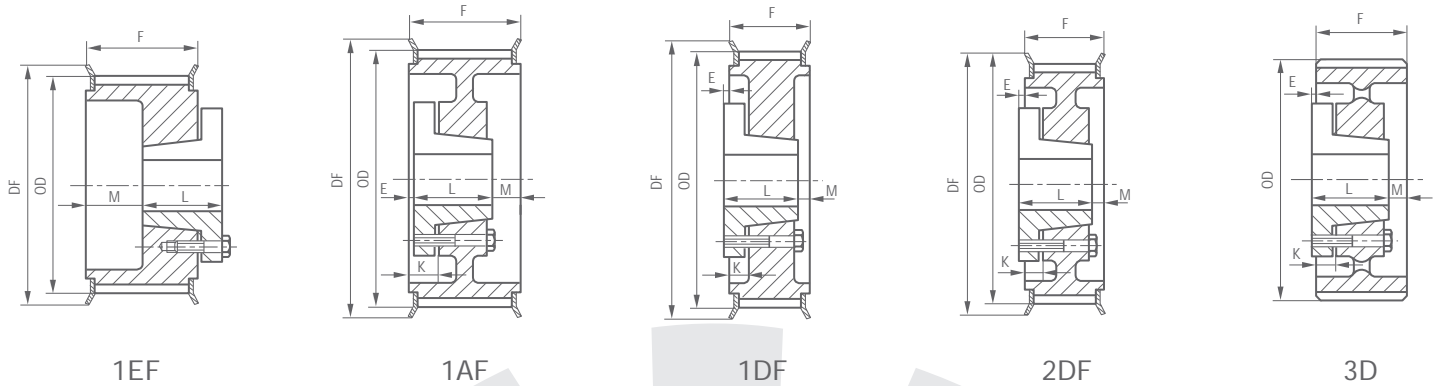
Bore Range

QTL BUSHINGS	Bore	
	Min	Max
SK	1/2	25/8
SF	1/2	215/16
E	7/8	31/2
F	1	4

Standard Keyseats

Bore Range	Keyseat
15/16"-1 1/4"	1/4"x1/8"
15/16"-1 3/8"	5/16x5/32
17/16"-1 3/4"	3/8x3/16
113/16"-2 1/4"	1/2x1/4
25/16"-2 3/4"	5/8x5/16
213/16"-3 1/4"	3/4x3/8
33/8"-3 3/4"	7/8x7/16
37/8"-4 1/2"	1x1/2

1 3/8" Bore Bushings also available with 3/8"x3/16" Keyseat.

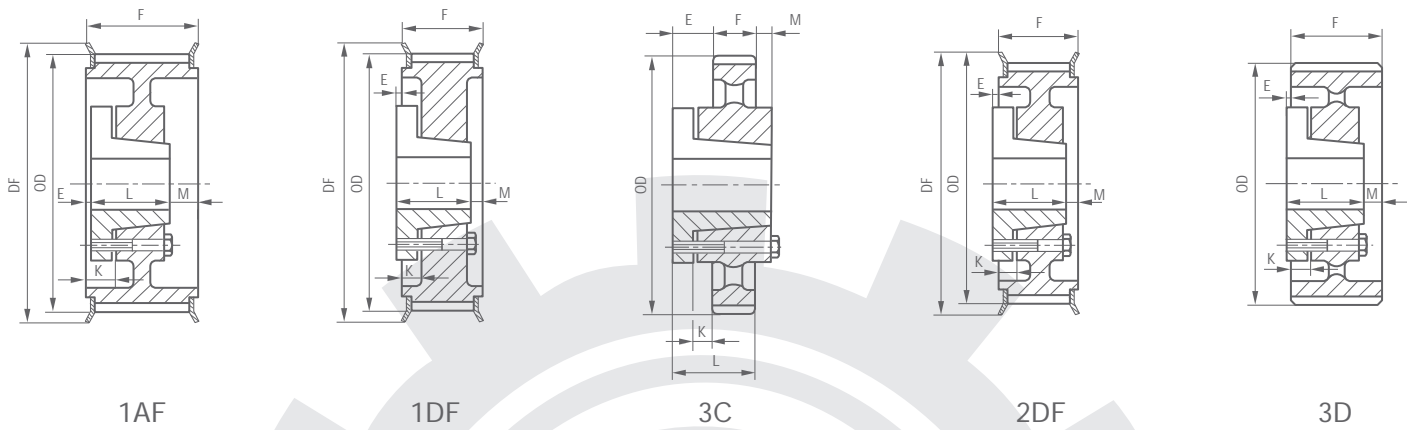


XH300 PITCH 7/8" (22.22mm)

SPCFCTN	TYPE	BUSH	Z	PD	OD	DF	F	E	K	L	M
SK18XH300F	1EF	SK	18	5.013	4.903	59/16	35/8	25/32	25/32	115/16	23/8
SK20XH300F	1AF	SK	20	5.570	5.460	61/8	35/8	13/16	13/32	115/16	13/16
SK21XH300F	1AF	SK	21	5.849	5.739	61/4	35/8	13/16	13/32	115/16	13/16
SK22XH300F	1AF	SK	22	6.127	6.017	611/16	35/8	13/16	13/32	115/16	13/16
SK23XH300F	1AF	SK	23	6.406	6.296	613/16	35/8	13/16	13/32	115/16	13/16
SF24XH300F	1AF	SF	24	6.685	6.575	71/4	35/8	13/16	11/32	21/16	13/16
SF25XH300F	1AF	SF	25	6.963	6.853	71/4	35/8	13/16	11/32	21/16	13/16
SF26XH300F	1AF	SF	26	7.241	7.131	73/4	35/8	13/16	11/32	21/16	13/16
SF27XH300F	1AF	SF	27	7.520	7.410	715/16	35/8	13/16	11/32	21/16	13/16
E28XH300F	1DF	E	28	7.799	7.689	83/8	35/8	1	5/32	23/4	1
E29XH300F	1DF	E	29	8.077	7.967	81/2	35/8	1	5/32	23/4	1
E30XH300F	1DF	E	30	8.356	8.246	87/8	35/8	1	5/32	23/4	1
E32XH300F	1DF	E	32	8.913	8.803	97/16	35/8	1	5/32	23/4	1
E36XH300F	2DF	E	36	10.027	9.917	109/16	35/8	1	5/32	23/4	1
F40XH300F	2DF	F	40	11.141	11.031	1111/16	35/8	9/16	25/32	33/4	9/16
F48XH300	2D	F	48	13.369	13.259	—	35/8	9/16	25/32	33/4	9/16
F60XH300	3D	F	60	16.711	16.601	—	35/8	9/16	25/32	33/4	9/16
J72XH300	3D	J	72	20.054	19.944	—	35/8	7/32	17/32	45/8	7/32
J84XH300	3D	J	84	23.396	23.286	—	35/8	7/32	17/32	45/8	7/32
J96XH300	3D	J	96	26.738	26.628	—	35/8	7/32	17/32	45/8	7/32
J120XH300	3D	J	120	33.423	33.313	—	35/8	7/32	17/32	45/8	7/32

XH400 PITCH 7/8" (22.22mm)

SPCFCTN	TYPE	BUSH	Z	PD	OD	DF	F	K	E	L	M
SK20XH400F	1AF	SK	20	5.570	5.460	61/8	411/16	13/32	13/16	115/16	21/4
SK22XH400F	1AF	SK	22	6.127	6.017	611/16	411/16	13/32	13/16	115/16	21/4
SF24XH400F	1AF	SF	24	6.685	6.575	71/4	411/16	11/32	11/8	21/16	21/4
SF26XH400F	1AF	SF	26	7.241	7.131	73/4	411/16	11/32	11/8	21/16	21/4
E28XH400F	1DF	E	28	7.799	7.689	83/8	411/16	3/8	117/32	23/4	117/32
E30XH400F	1DF	E	30	8.356	8.246	87/8	411/16	3/8	117/32	23/4	117/32
E32XH400F	1DF	E	32	8.913	8.803	97/16	411/16	3/8	117/32	23/4	117/32
E36XH400F	2DF	E	36	10.027	9.917	109/16	411/16	3/8	117/32	23/4	117/32
F40XH400F	2DF	F	40	11.141	11.031	1111/16	411/16	1/4	13/32	33/4	13/32
J48XH400	2D	J	48	13.369	13.259	—	411/16	11/16	3/4	45/8	3/4
J60XH400	3D	J	60	16.711	16.601	—	411/16	11/16	3/4	45/8	3/4
J72XH400	3D	J	72	20.054	19.944	—	411/16	11/16	3/4	45/8	3/4
J84XH400	3D	J	84	23.396	23.286	—	411/16	11/16	3/4	45/8	3/4
J96XH400	3D	J	96	26.738	26.628	—	411/16	11/16	3/4	45/8	3/4
J120XH400	3D	J	120	33.423	33.313	—	411/16	11/16	3/4	45/8	3/4

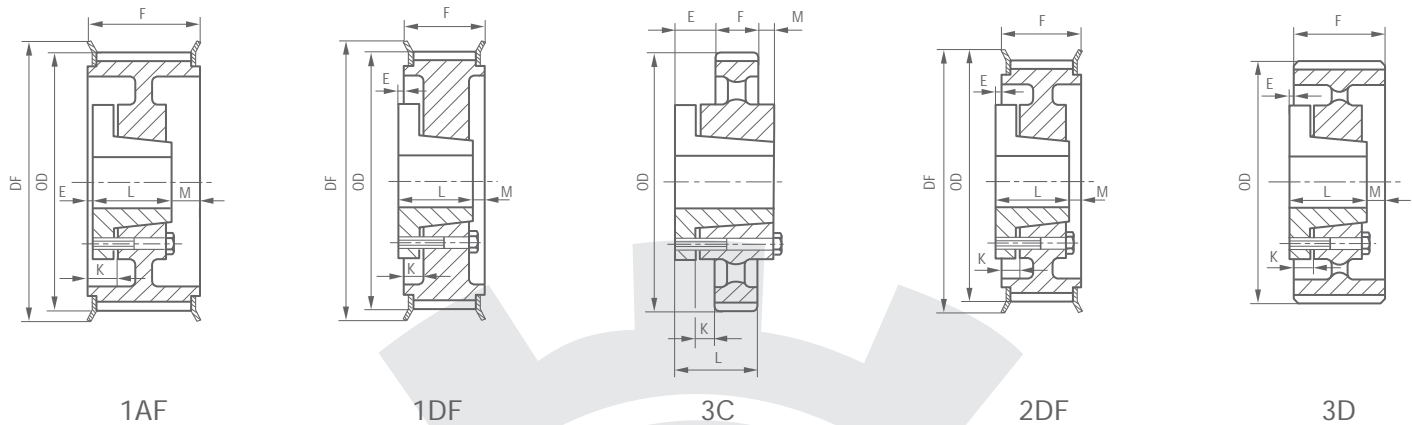


XXH200 PITCH 1 1/4" (31.75mm)

SPCFCTN	TYPE	BUSH	Z	PD	OD	DF	F	E	K	L	M
SK18XXH200F	1DF	SK	18	7.162	7.042	7/8	25/8	3/32	11/16	115/16	11/16
SK20XXH200F	1DF	SK	20	7.958	7.838	811/16	25/8	3/32	11/16	115/16	11/16
E22XXH200F	1DF	E	22	8.753	8.633	9/2	25/8	21/32	3/8	23/4	1/2
E24XXH200F	1DF	E	24	9.549	9.429	105/16	25/8	21/32	3/8	23/4	1/2
E26XXH200F	2DF	E	26	10.345	10.225	111/16	25/8	21/32	3/8	23/4	1/2
F30XXH200F	2DF	F	30	11.937	11.817	1211/16	25/8	19/32	1/16	33/4	1/16
F34XXH200F	2DF	F	34	13.528	13.408	141/4	25/8	19/32	1/16	33/4	1/16
F40XXH200F	3DF	F	40	15.915	15.795	165/8	25/8	19/32	1/16	33/4	1/16
J48XXH200	3C	J	48	19.099	18.979	—	25/8	113/16	9/32	45/8	9/32
J60XXH200	3C	J	60	23.873	23.753	—	25/8	113/16	9/32	45/8	9/32
J72XXH200	3C	J	72	28.648	28.528	—	25/8	113/16	9/32	45/8	9/32
J90XXJ200	3C	J	90	35.810	35.690	—	25/8	113/16	9/32	45/8	9/32

XXH300 PITCH 1 1/4" (31.75mm)

SPCFCTN	TYPE	BUSH	Z	PD	OD	DF	F	E	K	L	M
SF18XXH300F	1AF	SF	18	7.162	7.042	7/8	311/16	17/32	15/16	21/16	11/16
SF20XXH300F	1AF	SF	20	7.958	7.838	811/16	311/16	17/32	15/16	21/16	11/16
E22XXH300F	1DF	E	22	8.753	8.633	9/2	311/16	1/8	29/32	23/4	11/32
E24XXH300F	2DF	E	24	9.549	9.429	105/16	311/16	1/8	29/32	23/4	11/32
E26XXH300F	2DF	E	26	10.345	10.225	111/16	311/16	1/8	29/32	23/4	11/32
F30XXH300F	2DF	F	30	11.937	11.817	1211/16	311/16	3/4	19/32	33/4	19/32
F34XXH300F	2DF	F	34	13.528	13.408	141/4	311/16	3/4	19/32	33/4	19/32
F40XXH300F	3DF	F	40	15.915	15.795	165/8	311/16	3/4	19/32	33/4	19/32
J48XXH300	3D	J	48	19.099	18.979	—	311/16	13/16	5/8	45/8	1/4
J60XXH300	3D	J	60	23.873	23.753	—	311/16	13/16	5/8	45/8	1/4
J72XXH300	3D	J	72	28.648	28.528	—	311/16	13/16	5/8	45/8	1/4
J90XXH300	3D	J	90	35.810	35.690	—	311/16	13/16	5/8	45/8	1/4

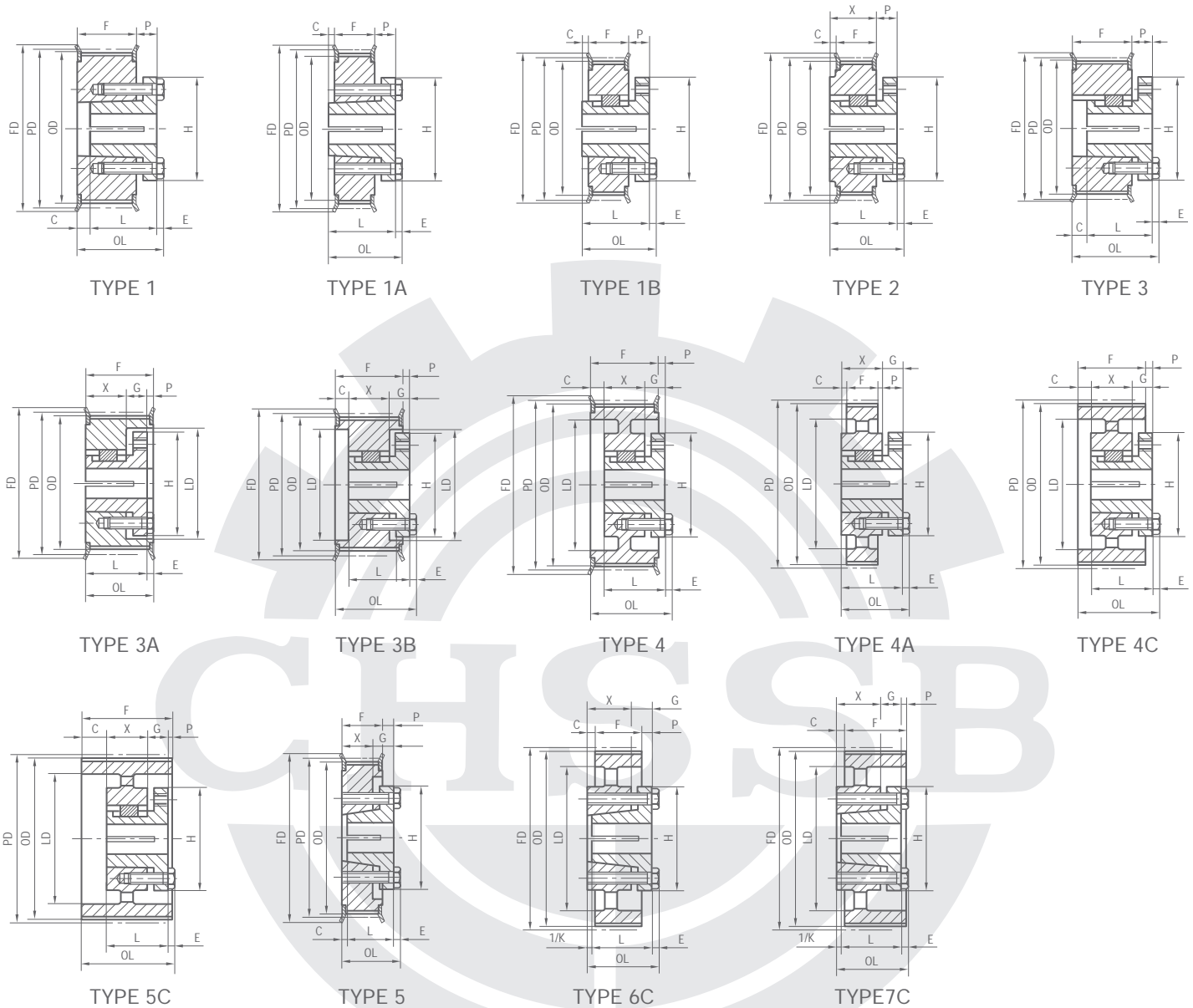


XXH400 PITCH 1 1/4" (31.75mm)

SPCFCTN	TYPE	BUSH	Z	PD	OD	DF	F	E	K	L	M
SF18XXH400F	1AF	SF	18	7.162	7.042	7/8	43/4	17/32	15/16	21/16	21/8
SF20XXH400F	1AF	SF	20	7.958	7.838	811/16	43/4	17/32	15/16	21/16	21/8
E22XXH400F	1AF	E	22	8.753	8.633	91/2	43/4	13/32	5/8	23/4	19/16
E24XXH400F	2AF	E	24	9.549	9.429	105/16	43/4	13/32	5/8	23/4	19/16
F26XXH400F	1DF	F	26	10.345	10.225	111/16	43/4	7/32	11/8	33/4	11/8
F30XXH400F	2DF	F	30	11.937	11.817	1211/16	43/4	7/32	11/8	33/4	11/8
J34XXH400F	2DF	J	34	13.528	13.408	141/4	43/4	21/32	27/32	45/8	25/32
J40XXH400F	3DF	J	40	15.915	15.795	165/8	43/4	21/32	27/32	45/8	25/32
J48XXH400	3D	J	48	19.099	18.979	—	43/4	21/32	27/32	45/8	25/32
M60XXH400	3C	M	60	23.873	23.753	—	43/4	113/16	11/32	63/4	7/32
M72XXH400	3C	M	72	28.648	28.528	—	43/4	113/16	11/32	63/4	7/32
M90XXH400	3C	M	90	35.810	35.690	—	43/4	113/16	11/32	63/4	7/32

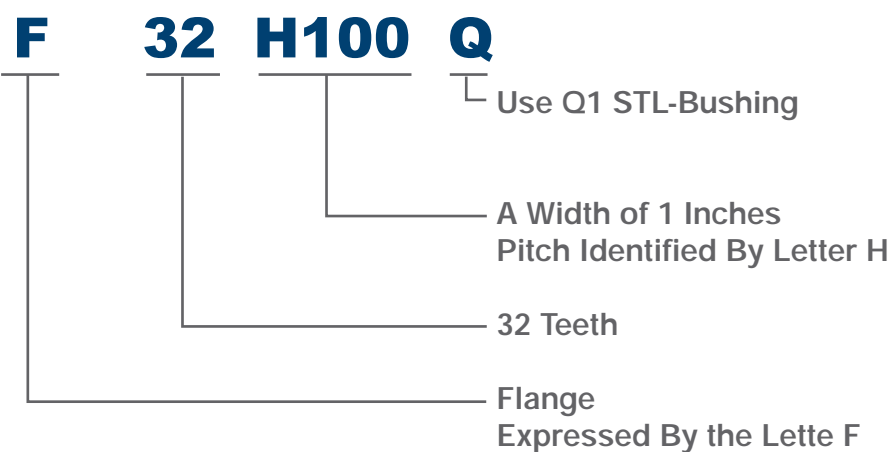
XXH500 PITCH 1 1/4" (31.75mm)

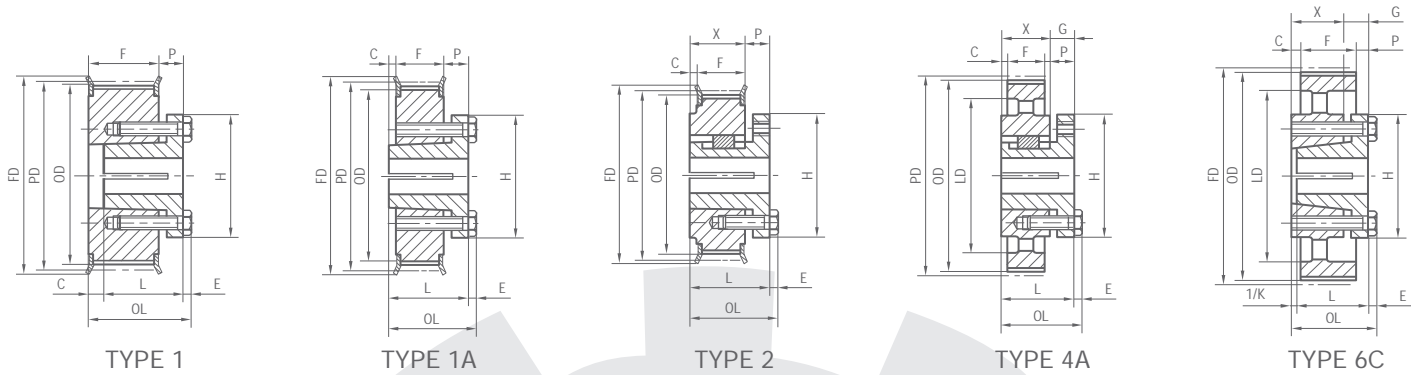
SPCFCTN	TYPE	BUSH	Z	PD	OD	DF	F	E	K	L	M
E22XXH500F	1AF	E	22	8.753	8.633	91/2	513/16	15/16	3/32	23/4	23/32
F24XXH500F	2AF	F	24	9.549	9.429	105/16	513/16	5/16	11/32	33/4	121/32
F26XXH500F	2AF	F	26	10.345	10.225	111/16	513/16	5/16	11/32	33/4	121/32
J30XXH500F	2DF	J	30	11.937	11.817	1211/16	513/16	1/8	15/16	45/8	15/16
J34XXH500F	2DF	J	34	13.528	13.408	141/4	513/16	1/8	15/16	45/8	15/16
J40XXH500F	3DF	J	40	15.915	15.795	165/8	513/16	1/8	15/16	45/8	15/16
M48XXH500	3D	M	48	19.099	18.979	—	513/16	19/32	5/16	63/4	5/16
M60XXH500	3D	M	60	23.873	23.753	—	513/16	19/32	5/16	63/4	5/16
M72XXH500	3D	M	72	28.648	28.528	—	513/16	19/32	5/16	63/4	5/16
M90XXH500	3D	M	90	35.810	35.690	—	513/16	19/32	5/16	63/4	5/16



SPECIFICATION AND TYPE FOR TIMING BELT PULLEY

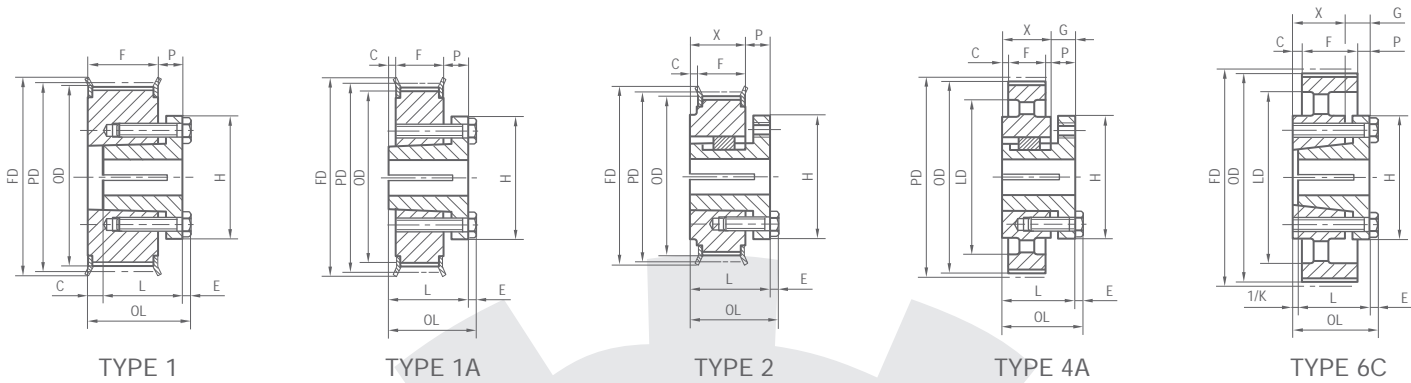
EXAMPLE





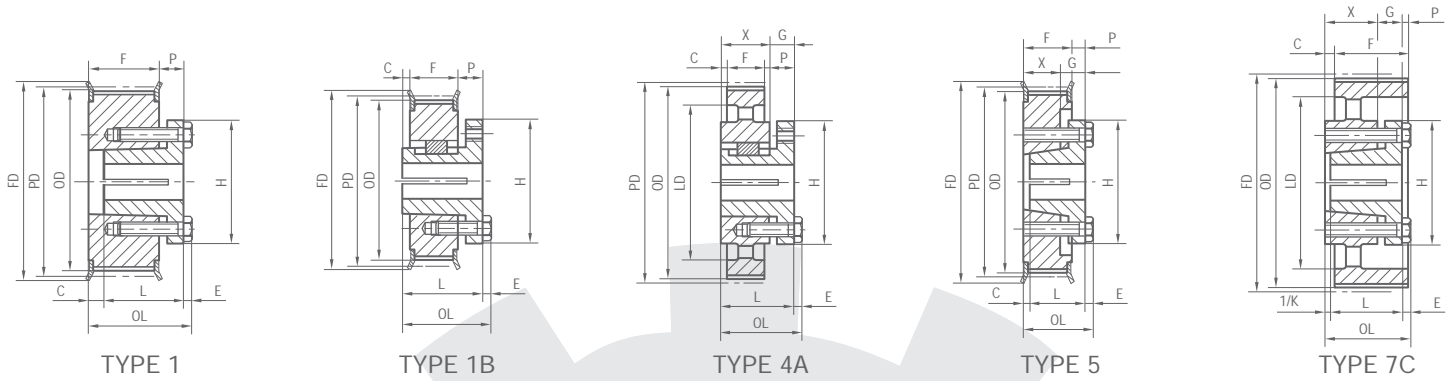
L050 PITCH 3/8" (9.525mm)

SPCFCTN	BUSH	TYPE	Z	Diameters				Dimensions									wt Lbs Less BUSH
				PD	OD	ID	FD	L1	F	L	P	C	H	G	X	E	
F18L050G	G	1	18	2.149	2.119	—	27/16	13/8	3/4	1	7/16	3/16	2	—	—	3/16	0.50
F19L050G	G	1	19	2.268	2.238	—	25/8	13/8	3/4	1	7/16	3/16	2	—	—	3/16	0.50
F20L050G	G	1	20	2.387	2.357	—	25/8	13/8	3/4	1	7/16	3/16	2	—	—	3/16	0.60
F21L050G	G	1	21	2.507	2.477	—	27/8	13/8	3/4	1	7/16	3/16	2	—	—	3/16	0.70
F22L050G	G	1	22	2.626	2.596	—	27/8	13/8	3/4	1	7/16	3/16	2	—	—	3/16	0.80
F24L050H	H	1A	24	2.865	2.835	—	31/8	17/16	3/4	1 1/4	7/16	1/16	2 1/2	—	—	3/16	1.0
F26L050H	H	1A	26	3.104	3.074	—	33/8	17/16	3/4	1 1/4	7/16	1/16	2 1/2	—	—	3/16	1.0
F28L050H	H	1A	28	3.342	3.312	—	35/8	17/16	3/4	1 1/4	7/16	1/16	2 1/2	—	—	3/16	1.4
F30L050H	H	1A	30	3.581	3.551	—	3 13/16	17/16	3/4	1 1/4	7/16	1/16	2 1/2	—	—	3/16	1.9
F32L050H	H	1A	32	3.820	3.790	—	4 1/16	17/16	3/4	1 1/4	7/16	1/16	2 1/2	—	—	3/16	2.0
F36L050H	H	1A	36	4.297	4.267	—	4 11/16	17/16	3/4	1 1/4	7/16	1/16	2 1/2	—	—	3/16	2.5
F36L050P	P1	2	36	4.297	4.267	—	4 11/16	23/16	3/4	1 15/16	5/8	9/16	3	—	15/16	1/4	2.8
F40L050H	H	1A	40	4.775	4.745	—	5	17/16	3/4	1 1/4	7/16	1/16	2 1/2	—	—	3/16	3.5
F40L050P	P1	2	40	4.775	4.745	—	5	23/16	3/4	1 15/16	5/8	9/16	3	—	15/16	1/4	3.4
F44L050H	H	1A	44	5.252	5.222	—	5 1/2	17/16	3/4	1 1/4	7/16	1/16	2 1/2	—	—	3/16	4.0
F44L050P	P1	2	44	5.252	5.222	—	5 1/2	23/16	3/4	1 15/16	5/8	9/16	3	—	15/16	1/4	4.1
F48L050H	H	1A	48	5.730	5.700	—	6	17/16	3/4	1 1/4	7/16	1/16	2 1/2	—	—	3/16	4.9
F48L050P	P1	2	48	5.730	5.700	—	6	23/16	3/4	1 15/16	5/8	9/16	3	—	15/16	1/4	4.9
60L050H	H	6C	60	7.162	7.132	6 7/16	—	1 1/2	3/4	1 1/4	7/16	1/8	2 1/2	7/16	7/8	3/16	4.3
60L050P	P1	4A	60	7.162	7.132	6 7/16	—	23/16	3/4	1 15/16	5/8	9/16	3	5/8	15/16	1/4	4.9
72L050H	H	6C	72	8.594	8.564	7 13/16	—	1 1/2	3/4	1 1/4	7/16	1/8	2 1/2	7/16	7/8	3/16	5.3
72L050P	P1	4A	72	8.594	8.564	7 13/16	—	23/16	3/4	1 15/16	5/8	9/16	3	5/8	15/16	1/4	6.0
84L050H	H	6C	84	10.027	9.997	9 1/4	—	1 1/2	3/4	1 1/4	7/16	1/8	2 1/2	7/16	7/8	3/16	6.2
84L050P	P1	4A	84	10.027	9.997	9 1/4	—	23/16	3/4	1 15/16	5/8	9/16	3	5/8	15/16	1/4	7.0
96L050H	H	6C	96	11.459	11.429	10 11/16	—	1 1/2	3/4	1 1/4	7/16	1/8	2 1/2	7/16	7/8	3/16	7.3
96L050P	P1	4A	96	11.459	11.429	10 11/16	—	23/16	3/4	1 15/16	5/8	9/16	3	5/8	15/16	1/4	8.5
120L050H	H	6C	120	14.324	14.294	13 9/16	—	1 1/2	3/4	1 1/4	7/16	1/8	2 1/2	7/16	7/8	3/16	9.5
120L050P	P1	4A	120	14.324	14.294	13 9/16	—	23/16	3/4	1 15/16	5/8	9/16	3	5/8	15/16	1/4	10.8



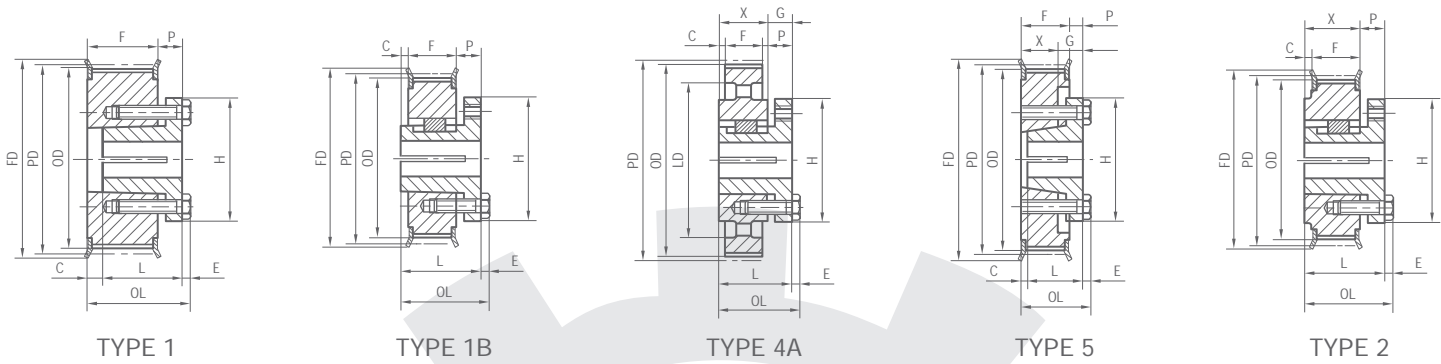
L075 PITCH 3/8" (9.525mm)

SPCFCTN	BUSH	TYPE	Z	Diameters				Dimensions									wt Lbs Less BUSH
				PD	OD	ID	FD	L1	F	L	P	C	H	G	X	E	
F18L075G	G	1	18	2.149	2.119	—	27/16	15/8	1	1	7/16	7/16	2	—	—	3/16	0.50
F19L075G	G	1	19	2.268	2.238	—	25/8	15/8	1	1	7/16	7/16	2	—	—	3/16	0.50
F20L075G	G	1	20	2.387	2.357	—	25/8	15/8	1	1	7/16	7/16	2	—	—	3/16	0.60
F21L075G	G	1	21	2.507	2.477	—	27/8	15/8	1	1	7/16	7/16	2	—	—	3/16	0.70
F22L075G	G	1	22	2.626	2.596	—	27/8	15/8	1	1	7/16	7/16	2	—	—	3/16	0.80
F24L075H	H	1	24	2.865	2.835	—	31/8	15/8	1	1 1/4	7/16	3/16	2 1/2	—	—	3/16	1.0
F26L075H	H	1	26	3.104	3.074	—	33/8	15/8	1	1 1/4	7/16	3/16	2 1/2	—	—	3/16	1.0
F28L075H	H	1	28	3.342	3.312	—	35/8	15/8	1	1 1/4	7/16	3/16	2 1/2	—	—	3/16	1.4
F30L075H	H	5	30	3.581	3.551	—	3 13/16	17/16	1	1 1/4	1/4	0	2 1/2	7/16	13/16	3/16	1.9
F32L075H	H	5	32	3.820	3.790	—	4 1/16	17/16	1	1 1/4	1/4	0	2 1/2	7/16	13/16	3/16	2.0
F36L075H	H	5	36	4.297	4.267	—	4 11/16	17/16	1	1 1/4	1/4	0	2 1/2	7/16	13/16	3/16	2.5
F36L075P	P1	2	36	4.297	4.267	—	4 11/16	23/16	1	1 15/16	5/8	5/16	3	—	15/16	1/4	2.8
F40L075H	H	5	40	4.775	4.745	—	5	17/16	1	1 1/4	1/4	0	2 1/2	7/16	13/16	3/16	3.5
F40L075P	P1	2	40	4.775	4.745	—	5	23/16	1	1 15/16	5/8	5/16	3	—	15/16	1/4	3.4
F44L075H	H	5	44	5.252	5.222	—	5 1/2	17/16	1	1 1/4	1/4	0	2 1/2	7/16	13/16	3/16	4.0
F44L075P	P1	2	44	5.252	5.222	—	5 1/2	23/16	1	1 15/16	5/8	5/16	3	—	15/16	1/4	4.1
F48L075H	H	5	48	5.730	5.700	—	6	17/16	1	1 1/4	1/4	0	2 1/2	7/16	7/8	3/16	4.9
F48L075P	P1	2	48	5.730	5.700	—	6	23/16	1	1 15/16	5/8	5/16	3	—	15/16	1/4	4.9
60L075H	H	6C	60	7.162	7.132	67/16	—	1 1/2	1	1 1/4	5/16	1/16	2 1/2	7/16	7/8	3/16	4.3
60L075P	P1	4A	60	7.162	7.132	67/16	—	23/16	1	1 15/16	5/8	5/16	3	5/8	15/16	1/4	4.9
72L075H	H	6C	72	8.594	8.564	7 13/16	—	1 1/2	1	1 1/4	5/16	1/16	2 1/2	7/16	7/8	3/16	5.3
72L075P	P1	4A	72	8.594	8.564	7 13/16	—	23/16	1	1 15/16	5/8	5/16	3	5/8	15/16	1/4	6.0
84L075H	H	6C	84	10.027	9.997	9 1/4	—	1 1/2	1	1 1/4	5/16	1/16	2 1/2	7/16	7/8	3/16	6.2
84L075P	P1	4A	84	10.027	9.997	9 1/4	—	23/16	1	1 15/16	5/8	5/16	3	5/8	15/16	1/4	7.0
96L075H	H	6C	96	11.459	11.429	10 11/16	—	1 1/2	1	1 1/4	5/16	1/16	2 1/2	7/16	7/8	3/16	7.3
96L075P	P1	4A	96	11.459	11.429	10 11/16	—	23/16	1	1 15/16	5/8	5/16	3	5/8	15/16	1/4	8.5
120L075H	H	6C	120	14.324	14.294	13 9/16	—	1 1/2	1	1 1/4	5/16	1/16	2 1/2	7/16	7/8	3/16	9.5
120L075P	P1	4A	120	14.324	14.294	13 9/16	—	23/16	1	1 15/16	5/8	9516	3	5/8	15/16	1/4	10.8



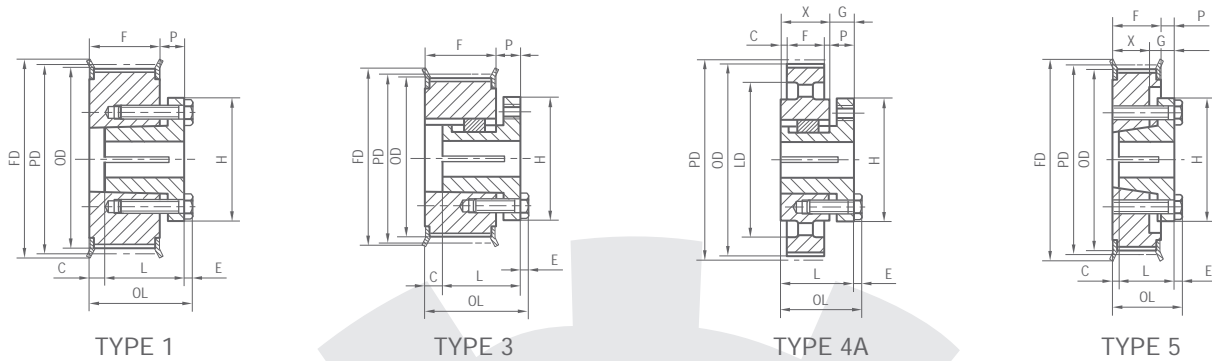
L100 PITCH 3/8" (9.525mm)

SPCFCTN	BUSH	TYPE	Z	Diameters				Dimensions									wt Lbs Less BUSH
				PD	OD	ID	FD	L1	F	L	P	C	H	G	X	E	
F18L100G	G	1	18	2.149	2.119	—	27/16	17/8	1 1/4	1	7/16	11/16	2	—	—	3/16	0.80
F19L100G	G	1	19	2.268	2.238	—	25/8	17/8	1 1/4	1	7/16	11/16	2	—	—	3/16	1.0
F20L100G	G	1	20	2.387	2.357	—	25/8	17/8	1 1/4	1	7/16	11/16	2	—	—	3/16	1.1
F21L100G	G	1	21	2.507	2.477	—	27/8	17/8	1 1/4	1	7/16	11/16	2	—	—	3/16	1.3
F22L100G	G	1	22	2.626	2.596	—	27/8	17/8	1 1/4	1	7/16	11/16	2	—	—	3/16	1.5
F24L100H	H	1	24	2.865	2.835	—	31/8	17/8	1 1/4	1 1/4	7/16	7/16	2 1/2	—	—	3/16	1.5
F26L100H	H	1	26	3.104	3.074	—	33/8	17/8	1 1/4	1 1/4	7/16	7/16	2 1/2	—	—	3/16	1.9
F28L100H	H	1	28	3.342	3.312	—	35/8	17/8	1 1/4	1 1/4	7/16	7/16	2 1/2	—	—	3/16	2.3
F30L100H	H	5	30	3.581	3.551	—	313/16	17/16	1 1/4	1 1/4	0	0	2 1/2	7/16	13/16	3/16	2.3
F32L100H	H	5	32	3.820	3.790	—	41/16	17/16	1 1/4	1 1/4	0	0	2 1/2	7/16	13/16	3/16	2.7
F36L100H	H	5	36	4.297	4.267	—	411/16	17/16	1 1/4	1 1/4	0	0	2 1/2	7/16	13/16	3/16	3.2
F36L100P	P1	1B	36	4.297	4.267	—	411/16	23/16	1 1/4	1 15/16	5/8	1/16	3	—	—	1/4	3.9
F40L100H	H	5	40	4.775	4.745	—	5	17/16	1 1/4	1 1/4	0	0	2 1/2	7/16	13/16	3/16	4.0
F40L100P	P1	1B	40	4.775	4.745	—	5	23/16	1 1/4	1 15/16	5/8	1/16	3	—	—	1/4	5.0
F44L100H	H	5	44	5.252	5.222	—	51/2	17/16	1 1/4	1 1/4	0	0	2 1/2	7/16	13/16	3/16	5.0
F44L100P	P1	1B	44	5.252	5.222	—	51/2	23/16	1 1/4	1 15/16	5/8	1/16	3	—	—	1/4	6.3
F48L100H	H	5	48	5.730	5.700	—	6	17/16	1 1/4	1 1/4	0	0	2 1/2	7/16	13/16	3/16	6.2
F48L100P	P1	1B	48	5.730	5.700	—	6	23/16	1 1/4	1 15/16	5/8	1/16	3	—	—	1/4	7.8
60L100H	H	7C	60	7.162	7.132	67/16	—	1 1/2	1 1/4	1 1/4	1/16	1/8	2 1/2	7/16	7/8	3/16	5.1
60L100P	P1	4A	60	7.162	7.132	67/16	—	23/16	1 1/4	1 15/16	5/8	1/16	3	5/8	15/16	1/4	5.9
72L100H	H	7C	72	8.594	8.564	713/16	—	1 1/2	1 1/4	1 1/4	1/16	1/8	2 1/2	7/16	7/8	3/16	6.4
72L100P	P1	4A	72	8.594	8.564	713/16	—	23/16	1 1/4	1 15/16	5/8	1/16	3	5/8	15/16	1/4	7.6
84L100H	H	7C	84	10.027	9.997	91/4	—	1 1/2	1 1/4	1 1/4	1/16	1/8	2 1/2	7/16	7/8	3/16	7.5
84L100P	P1	4A	84	10.027	9.997	91/4	—	23/16	1 1/4	1 15/16	5/8	1/16	3	5/8	15/16	1/4	8.2
96L100H	H	7C	96	11.459	11.429	1011/16	—	1 1/2	1 1/4	1 1/4	1/16	1/8	2 1/2	7/16	7/8	3/16	9.4
96L100P	P1	4A	96	11.459	11.429	1011/16	—	23/16	1 1/4	1 15/16	5/8	1/16	3	5/8	15/16	1/4	9.5
120L100H	H	7C	120	14.324	14.294	139/16	—	1 1/2	1 1/4	1 1/4	1/16	1/8	2 1/2	7/16	7/8	3/16	11.6
120L100P	P1	4A	120	14.324	14.294	139/16	—	23/16	1 1/4	1 15/16	5/8	1/16	3	5/8	15/16	1/4	12.1



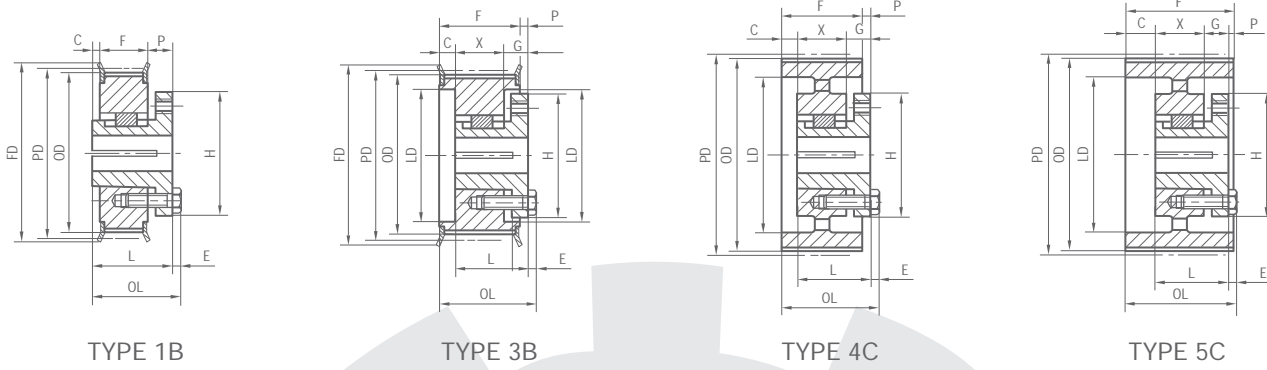
H100 PITCH 1/2" (12.70mm)

SPCFCTN	BUSH	TYPE	Z	Diameters				Dimensions									wt Lbs Less BUSH
				PD	OD	ID	FD	L1	F	L	P	C	H	G	X	E	
F14H100G	G	1	14	2.228	2.174	—	27/16	17/8	1 1/4	1	7/16	11/16	2	—	—	3/16	0.80
F16H100G	G	1	16	2.546	2.492	—	27/8	17/8	1 1/4	1	7/16	11/16	2	—	—	3/16	1.3
F18H100H	H	1	18	2.865	2.811	—	31/8	17/8	1 1/4	1 1/4	7/16	7/16	2 1/2	—	—	3/16	1.4
F20H100H	H	1	20	3.183	3.129	—	33/8	17/8	1 1/4	1 1/4	7/16	7/16	2 1/2	—	—	3/16	1.8
F22H100H	H	5	22	3.501	3.447	—	313/16	17/16	1 1/4	1 1/4	0	0	2 1/2	7/16	13/16	3/16	2.0
F22H100P1	P1	1B	22	3.501	3.447	—	313/16	21/8	1 1/4	115/16	5/8	1/16	3	—	—	1/4	2.2
F24H100H	H	5	24	3.820	3.766	—	41/16	17/16	1 1/4	1 1/4	0	0	2 1/2	7/16	13/16	3/16	2.6
F24H100P	P1	1B	24	3.820	3.766	—	41/16	21/8	1 1/4	115/16	5/8	1/16	3	—	—	1/4	2.8
F26H100H	H	5	26	4.138	4.084	—	43/8	17/16	1 1/4	1 1/4	0	0	2 1/2	7/16	13/16	3/16	3.1
F26H100P	P1	1B	26	4.138	4.084	—	43/8	21/8	1 1/4	115/16	5/8	1/16	3	—	—	1/4	3.5
F28H100H	H	5	28	4.456	4.402	—	411/16	17/16	1 1/4	1 1/4	—	—	2 1/2	7/16	13/16	3/16	3.8
F28H100P	P1	1B	28	4.456	4.402	—	411/16	21/8	1 1/4	115/16	5/8	1/16	3	—	—	1/4	4.2
F30H100H	H	5	30	4.775	4.721	—	5	17/16	1 1/4	1 1/4	—	—	2 1/2	7/16	13/16	3/16	4.5
F30H100P	P1	1B	30	4.775	4.721	—	5	21/8	1 1/4	115/16	5/8	1/16	3	—	—	1/4	4.9
F32H100Q	Q1	2	32	5.093	5.039	—	55/16	225/32	1 1/4	2 1/2	3/4	1/2	4 1/8	—	13/4	9/32	5.0
F36H100Q	Q1	2	36	5.730	5.676	—	6	225/32	1 1/4	2 1/2	3/4	1/2	4 1/8	—	13/4	9/32	6.4
F40H100Q	Q1	2	40	6.366	6.312	—	69/16	225/32	1 1/4	2 1/2	3/4	1/2	4 1/8	—	13/4	9/32	8.5
F44H100Q	Q1	2	44	7.003	6.949	—	71/4	225/32	1 1/4	2 1/2	3/4	1/2	4 1/8	—	13/4	9/32	10.0
F48H100Q	Q1	2	48	7.639	7.585	—	77/8	225/32	1 1/4	2 1/2	3/4	1/2	4 1/8	—	13/4	9/32	12.3
60H100Q	Q1	4A	60	9.549	9.495	811/16	—	225/32	1 1/4	2 1/2	1	1/4	4 1/8	3/4	13/4	9/32	13.0
72H100Q	Q1	4A	72	11.459	11.405	109/16	—	225/32	1 1/4	2 1/2	1	1/4	4 1/8	3/4	13/4	9/32	15.3
84H100Q	Q1	4A	84	13.369	13.315	121/2	—	225/32	1 1/4	2 1/2	1	1/4	4 1/8	3/4	13/4	9/32	19.5
96H100Q	Q1	4A	96	15.279	15.225	143/8	—	225/32	1 1/4	2 1/2	1	1/4	4 1/8	3/4	13/4	9/32	20.6
120H100Q	Q1	4A	120	19.099	19.045	183/16	—	225/32	1 1/4	2 1/2	1	1/4	4 1/8	3/4	13/4	9/32	25.8
156H100Q	Q1	4A	156	24.828	24.774	2315/16	—	225/32	1 1/4	2 1/2	1	1/4	4 1/8	3/4	13/4	9/32	34.0



H150 PITCH 1/2" (12.70mm)

SPCFCTN	BUSH	TYPE	Z	Diameters				Dimensions									wt Lbs Less BUSH
				PD	OD	ID	FD	L1	F	L	P	C	H	G	X	E	
F14H150G	G	1	14	2.228	2.174	—	27/16	23/8	13/4	1	7/16	13/16	2	—	—	3/16	1.3
F16H150G	G	1	16	2.546	2.492	—	27/8	23/8	13/4	1	7/16	13/16	2	—	—	3/16	1.9
F18H150H	H	1	18	2.865	2.811	—	31/8	23/8	13/4	1 1/4	7/16	15/16	2 1/2	—	—	3/16	2.0
F20H150H	H	1	20	3.183	3.129	—	33/8	23/8	13/4	1 1/4	7/16	15/16	2 1/2	—	—	3/16	2.6
F22H150H	H	5	22	3.501	3.447	—	3 13/16	1 15/16	13/4	1 1/4	0	1/2	2 1/2	7/16	15/16	3/16	3.0
F22H150P	P1	3	22	3.501	3.447	—	3 13/16	2 5/8	13/4	1 15/16	5/8	7/16	3	-	15/16	1/4	3.0
F24H150H	H	5	24	3.820	3.766	—	4 1/16	1 15/16	13/4	1 1/4	0	1/2	2 1/2	7/16	15/16	3/16	3.9
F24H150P	P1	3	24	3.820	3.766	—	4 1/16	2 5/8	13/4	1 15/16	5/8	7/16	3	-	15/16	1/4	3.9
F26H150H	H	5	26	4.138	4.084	—	4 3/8	1 15/16	13/4	1 1/4	0	1/2	2 1/2	7/16	15/16	3/16	4.5
F26H150P	P1	3	26	4.138	4.084	—	4 3/8	2 5/8	13/4	1 15/16	5/8	7/16	3	-	15/16	1/4	4.9
F28H150H	H	5	28	4.456	4.402	—	4 11/16	1 15/16	13/4	1 1/4	0	1/2	2 1/2	7/16	15/16	3/16	5.5
F28H150P	P1	3	28	4.456	4.402	—	4 11/16	2 5/8	13/4	1 15/16	5/8	7/16	3	—	15/16	1/4	5.9
F30H150H	H	5	30	4.775	4.721	—	5	1 15/16	13/4	1 1/4	0	1/2	2 1/2	7/16	15/16	3/16	6.5
F30H150P	P1	3	30	4.775	4.721	—	5	2 5/8	13/4	1 15/16	5/8	7/16	3	0	15/16	1/4	6.9
F32H150Q	Q1	3	32	5.093	5.039	—	5 5/16	2 25/32	13/4	2 1/2	3/4	—	4 1/8	0	13/4	9/32	6.5
F36H150Q	Q1	3	36	5.730	5.676	—	6	2 25/32	13/4	2 1/2	3/4	—	4 1/8	0	13/4	9/32	9.1
F40H150Q	Q1	3	40	6.366	6.312	—	6 9/16	2 25/32	13/4	2 1/2	3/4	—	4 1/8	0	13/4	9/32	11.8
F44H150Q	Q1	3	44	7.003	6.949	—	7 1/4	2 25/32	13/4	2 1/2	3/4	—	4 1/8	0	13/4	9/32	15.6
F48H150Q	Q1	3	48	7.639	7.585	—	7 7/8	2 25/32	13/4	2 1/2	3/4	—	4 1/8	0	13/4	9/32	19.0
60H150Q	Q1	4A	60	9.549	9.495	8 11/16	—	2 25/32	13/4	2 1/2	3/4	—	4 1/8	3/4	13/4	9/32	14.3
72H150Q	Q1	4A	72	11.459	11.405	10 9/16	—	2 25/32	13/4	2 1/2	3/4	—	4 1/8	3/4	13/4	9/32	16.9
84H150Q	Q1	4A	84	13.369	13.315	12 1/2	—	2 25/32	13/4	2 1/2	3/4	—	4 1/8	3/4	13/4	9/32	21.4
96H150Q	Q1	4A	96	15.279	15.225	14 3/8	—	2 25/32	13/4	2 1/2	3/4	—	4 1/8	3/4	13/4	9/32	24.9
120H150Q	Q1	4A	120	19.099	19.045	18 3/16	—	2 25/32	13/4	2 1/2	3/4	—	4 1/8	3/4	13/4	9/32	29.9
156H150Q	Q1	4A	156	24.828	24.774	23 13/16	—	2 25/32	13/4	2 1/2	3/4	—	4 1/8	3/4	13/4	9/32	38.0

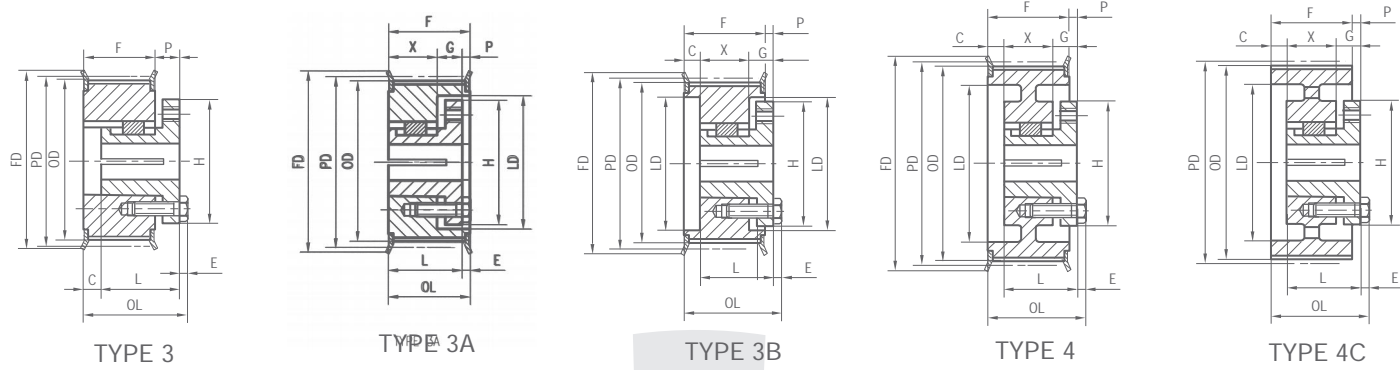


H200 PITCH 1/2" (12.70mm)

SPCFCTN	BUSH	TYPE	Z	Diameters				Dimensions									wt Lbs Less BUSH
				PD	OD	ID	FD	L1	F	L	P	C	H	G	X	E	
F22H200P	P2	1B	22	3.501	3.447	—	313/16	33/16	29/32	215/16	5/8	1/32	3	—	—	1/4	3.9
F24H200P	P2	1B	24	3.820	3.766	—	41/16	33/16	29/32	215/16	5/8	1/32	3	—	—	1/4	5.1
F26H200P	P2	1B	26	4.138	4.084	—	43/8	33/16	29/32	215/16	5/8	1/32	3	—	—	1/4	6.3
F28H200P	P2	1B	28	4.456	4.402	—	411/16	33/16	29/32	215/16	5/8	1/32	3	—	—	1/4	7.7
F30H200P	P2	1B	30	4.775	4.721	—	5	33/16	29/32	215/16	5/8	1/32	3	—	—	1/4	9.2
F32H200Q	Q1	3B	32	5.093	5.039	41/4	55/16	225/32	29/32	21/2	7/32	0	41/8	3/4	13/4	9/32	8.5
F36H200Q	Q1	3B	36	5.730	5.676	41/2	6	225/32	29/32	21/2	7/32	0	41/8	3/4	13/4	9/32	9.4
F40H200Q	Q1	3B	40	6.366	6.312	413/16	69/16	225/32	29/32	21/2	7/32	0	41/8	3/4	13/4	9/32	12.5
F44H200Q	Q1	3B	44	7.003	6.949	55/8	71/4	225/32	29/32	21/2	7/32	0	41/8	3/4	13/4	9/32	15.3
F48H200Q	Q1	3B	48	7.639	7.585	63/8	77/8	225/32	29/32	21/2	7/32	0	41/8	3/4	13/4	9/32	18.8
60H200Q	Q1	4C	60	9.549	9.495	811/16	—	31/16	29/32	21/2	31/64	17/64	41/8	3/4	13/4	9/32	19.3
72H200Q	Q1	4C	72	11.459	11.405	109/16	—	31/16	29/32	21/2	31/64	17/64	41/8	3/4	13/4	9/32	20.3
84H200Q	Q1	4C	84	13.369	13.315	121/2	—	31/16	29/32	21/2	31/64	17/64	41/8	3/4	13/4	9/32	24.0
96H200R	R1	4C	96	15.279	15.225	143/8	—	319/64	29/32	27/8	47/64	9/64	53/8	7/8	2	9/32	32.8
120H200R	R1	4C	120	19.099	19.045	183/16	—	319/64	29/32	27/8	47/64	9/64	53/8	7/8	2	9/32	28.3
156H200R	R1	4C	156	24.828	24.774	2315/16	—	313/32	21/2	27/8	5/8	1/4	53/8	7/8	2	9/32	51.0

H300 PITCH 1/2" (12.70mm)

SPCFCTN	BUSH	TYPE	Z	Diameters				Dimensions									wt Lbs Less BUSH
				PD	OD	ID	FD	L1	F	L	P	C	H	G	X	E	
F32H300Q	Q1	3B	32	5.093	5.039	41/4	55/16	319/32	35/16	21/2	0	13/16	41/8	3/4	13/4	9/32	8.4
F36H300Q	Q1	3B	36	5.730	5.676	41/2	6	319/32	35/16	21/2	0	13/16	41/8	3/4	13/4	9/32	11.8
F40H300Q	Q1	3B	40	6.366	6.312	413/16	69/16	319/32	35/16	21/2	0	13/16	41/8	3/4	13/4	9/32	15.9
F44H300Q	Q1	3B	44	7.003	6.949	55/8	71/4	319/32	35/16	21/2	0	13/16	41/8	3/4	13/4	9/32	18.9
F48H300Q	Q1	3B	48	7.639	7.585	63/8	77/8	319/32	35/16	21/2	0	13/16	41/8	3/4	13/4	9/32	21.4
60H300Q	Q1	5C	60	9.549	9.495	811/16	—	39/16	35/16	21/2	1/32	25/32	41/8	3/4	13/4	9/32	22.3
72H300Q	Q1	5C	72	11.459	11.405	109/16	—	39/16	35/16	21/2	1/32	25/32	41/8	3/4	13/4	9/32	23.5
84H300Q	Q1	5C	84	13.369	13.315	121/2	—	39/16	35/16	21/2	1/32	25/32	41/8	3/4	13/4	9/32	29.1
96H300R	R1	4C	96	15.279	15.225	143/8	—	313/16	35/16	27/8	7/32	21/32	53/8	7/8	2	9/32	38.0
120H300R	R1	4C	120	19.099	19.045	183/16	—	313/16	35/16	27/8	7/32	21/32	53/8	7/8	2	9/32	44.2
156H300R	R1	4C	156	24.828	24.774	2315/16	—	329/32	31/2	27/8	1/8	3/4	53/8	7/8	2	9/32	59.0

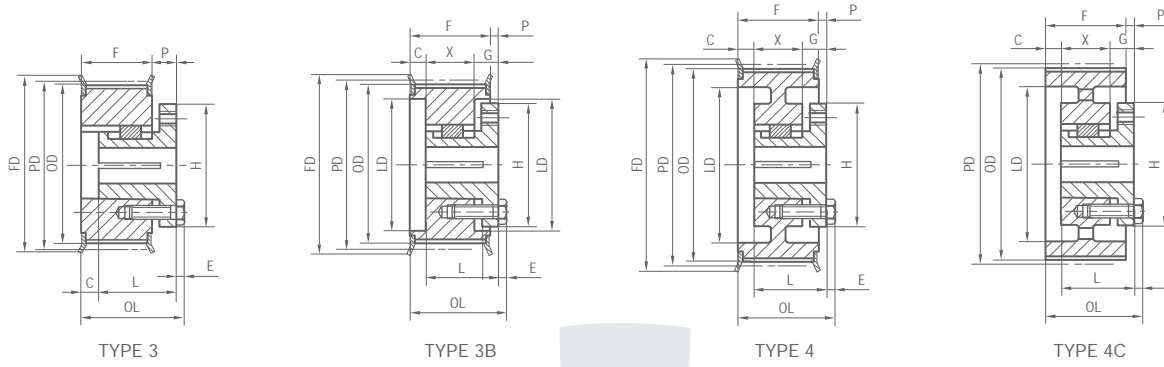


XH200 PITCH 7/8" (22.22mm)

SPCFCTN	BUSH	TYPE	Z	Diameters				Dimensions									wt Lbs Less BUSH
				PD	OD	ID	FD	L1	F	L	P	C	H	G	X	E	
F18XH200Q	Q1	3	18	5.013	4.903	—	59/16	319/32	29/16	21/2	3/4	13/16	41/8	—	13/4	9/32	9.8
F20XH200Q	Q1	3A	20	5.570	5.460	41/4	61/8	225/32	29/16	21/2	1/16	—	41/8	3/4	13/4	9/32	11.4
F22XH200Q	Q1	3A	22	6.127	6.017	43/8	611/16	225/32	29/16	21/2	1/16	—	41/8	3/4	13/4	9/32	12.5
F24XH200Q	Q1	3A	24	6.685	6.575	415/16	71/4	225/32	29/16	21/2	1/16	—	41/8	3/4	13/4	9/32	15.1
F26XH200Q	Q1	3A	26	7.241	7.131	51/2	73/4	225/32	29/16	21/2	1/16	—	41/8	3/4	13/4	9/32	18.5
F28XH200R	R1	3B	28	7.799	7.689	515/16	83/8	35/32	29/16	27/8	5/16	0	53/8	7/8	2	9/32	19.2
F30XH200R	R1	3B	30	8.356	8.246	61/2	87/8	35/32	29/16	27/8	5/16	0	53/8	7/8	2	9/32	22.5
F32XH200R	R1	3B	32	8.913	8.803	7	97/16	35/32	29/16	27/8	5/16	0	53/8	7/8	2	9/32	26.1
F36XH200R	R1	3B	36	10.027	9.917	81/16	109/16	35/32	29/16	27/8	5/16	0	53/8	7/8	2	9/32	36.0
F40XH200R	R1	4	40	11.141	10.031	91/4	1111/16	35/32	29/16	27/8	5/16	0	53/8	7/8	2	9/32	33.3
48XH200	R1	4C	48	13.369	13.259	12	—	37/16	29/16	27/8	19/32	9/32	53/8	7/8	2	9/32	39.8
60XH200	R1	4C	60	16.711	16.601	155/16	—	37/16	29/16	27/8	19/32	9/32	53/8	7/8	2	9/32	42.5
72XH200	R1	4C	72	20.054	19.944	1811/16	—	37/16	29/16	27/8	19/32	9/32	53/8	7/8	2	9/32	47.5
84XH200	R1	4C	84	23.396	23.286	22	—	37/16	29/16	27/8	19/32	9/32	53/8	7/8	2	9/32	54.5
96XH200	R1	4C	96	26.738	26.628	253/8	—	37/16	29/16	27/8	19/32	9/32	53/8	7/8	2	9/32	62.0
120XH200	R1	4C	120	33.423	33.313	32	—	37/16	29/16	27/8	19/32	9/32	53/8	7/8	2	9/32	78.5

XH300 PITCH 7/8" (22.22mm)

SPCFCTN	BUSH	TYPE	Z	Diameters				Dimensions									wt Lbs Less BUSH
				PD	OD	ID	FD	L1	F	L	P	C	H	G	X	E	
F18XH300Q	Q2	3	18	5.013	4.903	—	59/16	421/32	35/8	31/2	3/4	7/8	41/8	—	23/4	9/32	11.5
F20XH300Q	Q2	3A	20	5.570	5.460	41/4	61/8	325/32	35/8	31/2	1/8	—	41/8	3/4	23/4	9/32	15.8
F22XH300Q	Q2	3A	22	6.127	6.017	43/8	611/16	325/32	35/8	31/2	1/8	—	41/8	3/4	23/4	9/32	18.1
F24XH300Q	Q2	3A	24	6.685	6.575	415/16	71/4	325/32	35/8	31/2	1/8	—	41/8	3/4	23/4	9/32	22.6
F26XH300Q	Q2	3A	26	7.241	7.131	51/2	73/4	325/32	35/8	31/2	1/8	—	41/8	3/4	23/4	9/32	27.8
F28XH300R	R1	3B	28	7.799	7.689	515/16	83/8	329/32	35/8	27/8	0	3/4	53/8	7/8	2	9/32	23.0
F30XH300R	R1	3B	30	8.356	8.246	61/2	87/8	329/32	35/8	27/8	0	3/4	53/8	7/8	2	9/32	27.0
F32XH300R	R1	3B	32	8.913	8.803	7	97/16	329/32	35/8	27/8	0	3/4	53/8	7/8	2	9/32	31.6
F36XH300R	R1	3B	36	10.027	9.917	81/16	109/16	329/32	35/8	27/8	0	3/4	53/8	7/8	2	9/32	41.6
F40XH300R	R1	4	40	11.141	10.031	91/4	1111/16	329/32	35/8	27/8	0	3/4	53/8	7/8	2	9/32	50.7
48XH300S	S1	4C	48	13.369	13.259	12	—	429/32	35/8	43/8	29/32	5/32	63/8	11/16	35/16	3/8	58.0
60XH300S	S1	4C	60	16.711	16.601	155/16	—	429/32	35/8	43/8	29/32	5/32	63/8	11/16	35/16	3/8	68.0
72XH300S	S1	4C	72	20.054	19.944	1811/16	—	429/32	35/8	43/8	29/32	5/32	63/8	11/16	35/16	3/8	77.0
84XH300S	S1	4C	84	23.396	23.286	22	—	429/32	35/8	43/8	29/32	5/32	63/8	11/16	35/16	3/8	89.0
96XH300S	S1	4C	96	26.738	26.628	253/8	—	429/32	35/8	43/8	29/32	5/32	63/8	11/16	35/16	3/8	100
120XH300S	S1	4C	120	33.423	33.313	32	—	429/32	35/8	43/8	29/32	5/32	63/8	11/16	35/16	3/8	128



XH400 PITCH 7/8" (22.22mm)

SPCFCTN	BUSH	TYPE	Z	Diameters				Dimensions									wt Lbs Less BUSH
				PD	OD	ID	FD	L1	F	L	P	C	H	G	X	E	
F18XH400Q	Q3	3	18	5.013	4.903	—	59/16	523/32	411/16	5	3/4	7/16	41/8	—	41/4	9/32	14.0
F20XH400Q	Q2	3B	20	5.570	5.460	41/4	61/8	431/32	411/16	31/2	0	13/16	41/8	3/4	23/4	9/32	18.6
F22XH400Q	Q2	3B	22	6.127	6.017	43/8	611/16	431/32	411/16	31/2	0	13/16	41/8	3/4	23/4	9/32	23.7
F24XH400Q	Q2	3B	24	6.685	6.575	415/16	71/4	431/32	411/16	31/2	0	13/16	41/8	3/4	23/4	9/32	28.9
F26XH400Q	Q2	3B	26	7.241	7.131	51/2	73/4	431/32	411/16	31/2	0	13/16	41/8	3/4	23/4	9/32	34.8
F28XH400R	R2	3B	28	7.799	7.689	515/16	83/8	55/32	411/16	47/8	3/16	0	53/8	7/8	4	9/32	36.0
F30XH400R	R2	3B	30	8.356	8.246	61/2	87/8	55/32	411/16	47/8	3/16	0	53/8	7/8	4	9/32	43.5
F32XH400R	R2	3B	32	8.913	8.803	7	97/16	55/32	411/16	47/8	3/16	0	53/8	7/8	4	9/32	51.5
F36XH400R	R2	3B	36	10.027	9.917	81/16	109/16	55/32	411/16	47/8	3/16	0	53/8	7/8	4	9/32	67.5
F40XH400R	R2	4	40	11.141	10.031	91/4	111/16	55/32	411/16	47/8	3/16	0	53/8	7/8	4	9/32	56.0
48XH400	S1	4C	48	13.369	13.259	12	—	57/16	411/16	43/8	3/8	11/16	63/8	11/16	35/16	3/8	64.5
60XH400	S1	4C	60	16.711	16.601	155/16	—	57/16	411/16	43/8	3/8	11/16	63/8	11/16	35/16	3/8	77.0
72XH400	S1	4C	72	20.054	19.944	1811/16	—	57/16	411/16	43/8	3/8	11/16	63/8	11/16	35/16	3/8	87.0
84XH400	S1	4C	84	23.396	23.286	22	—	57/16	411/16	43/8	3/8	11/16	63/8	11/16	35/16	3/8	103
96XH400	S1	4C	96	26.738	26.628	253/8	—	57/16	411/16	43/8	3/8	11/16	63/8	11/16	35/16	3/8	112
120XH400	S1	4C	120	33.423	33.313	32	—	57/16	411/16	43/8	3/8	11/16	63/8	11/16	35/16	3/8	143

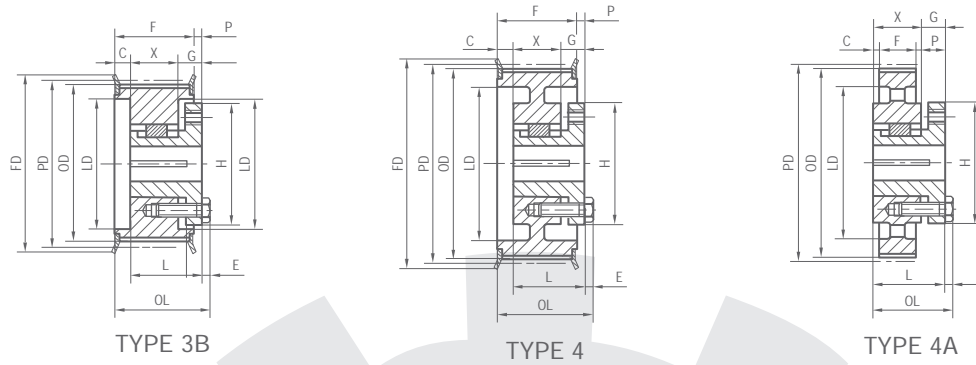
Bore Range

Bushings	Bore Range
G	3/8-15/16
H	3/8-13/8
P1	1/2-17/16
P2	3/4-17/16
Q1	3/4-211/16
Q2	1-25/8
Q3	13/8-21/2
R1	11/8-33/4
R2	13/8-35/8
S1	111/16-41/4

Standard Keyseats

Bore Range	Keyseat	Bore Range	Keyseat
3/4-7/8	3/16x3/32	25/16-23/4	5/8x5/16
15/16-11/4	1/4x1/8	213/16-31/4	3/4x3/8
15/16-13/8	5/16x5/32	33/8-33/4	7/8x7/16
17/16-13/4	3/8x3/16	37/8-41/4	1x1/2
113/16-21/2	1/2x1/4		

1 3/8" Bore Bushings (except Q3 and R2) also available with 3/8" x 3/16" Keyseat.

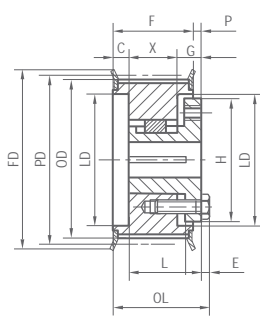


XXH200 PITCH 1 1/4" (31.75mm)

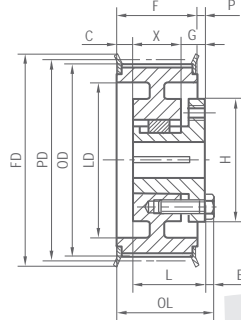
SPCFCTN	BUSH	TYPE	Z	Diameters				Dimensions									wt Lbs Less BUSH
				PD	OD	ID	FD	L1	F	L	P	C	H	G	X	E	
F18XXH200R	R1	3B	18	7.162	7.042	5 1/2	7 7/8	35/32	25/8	27/8	1/4	0	53/8	7/8	2	9/32	13.5
F20XXH200R	R1	3B	20	7.958	7.838	6	8 11/16	35/32	25/8	27/8	1/4	0	53/8	7/8	2	9/32	18.9
F22XXH200R	R1	3B	22	8.753	8.633	6 3/4	9 1/2	35/32	25/8	27/8	1/4	0	53/8	7/8	2	9/32	24.3
F24XXH200R	R1	4	24	9.549	9.429	7 1/2	10 5/16	35/32	25/8	27/8	1/4	0	53/8	7/8	2	9/32	26.5
F26XXH200R	R1	4	26	10.345	10.225	8 1/4	11 1/16	35/32	25/8	27/8	1/4	0	53/8	7/8	2	9/32	29.8
F30XXH200R	R1	4	30	11.937	11.817	9 7/8	12 11/16	35/32	25/8	27/8	1/4	0	53/8	7/8	2	9/32	36.4
F34XXH200R	R1	4	34	13.528	13.408	11 1/4	14 1/4	35/32	25/8	27/8	1/4	0	53/8	7/8	2	9/32	40.3
F40XXH200R	R1	4	40	15.915	15.795	13 5/8	16 5/8	35/32	25/8	27/8	1/4	0	53/8	7/8	2	9/32	49.5
48XXH200S	S1	4A	48	19.099	18.979	16 13/16	—	43/4	25/8	43/8	1 13/32	11/32	63/8	11/16	35/16	3/8	87.0
60XXH200S	S1	4A	60	23.873	23.753	21 5/8	—	43/4	25/8	43/8	1 13/32	11/32	63/8	11/16	35/16	3/8	103
72XXH200S	S1	4A	72	28.648	28.528	26 3/8	—	43/4	25/8	43/8	1 13/32	11/32	63/8	11/16	35/16	3/8	120
90XXH200S	S1	4A	90	35.810	35.690	33 1/2	—	43/4	25/8	43/8	1 13/32	11/32	63/8	11/16	35/16	3/8	165

XXH300 PITCH 1 1/4" (31.75mm)

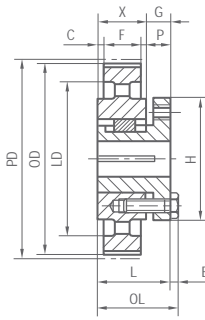
SPCFCTN	BUSH	TYPE	Z	Diameters				Dimensions									wt Lbs Less BUSH
				PD	OD	ID	FD	L1	F	L	P	C	H	G	X	E	
F18XXH300R	R1	3B	18	7.162	7.042	5 1/2	7 7/8	331/32	311/16	27/8	—	13/16	53/8	7/8	2	9/32	17.3
F20XXH300R	R1	3B	20	7.958	7.838	6	8 11/16	331/32	311/16	27/8	—	13/16	53/8	7/8	2	9/32	23.4
F22XXH300R	R1	3B	22	8.753	8.633	6 3/4	9 1/2	331/32	311/16	27/8	—	13/16	53/8	7/8	2	9/32	29.6
F24XXH300R	R1	4	24	9.549	9.429	7 1/2	10 5/16	331/32	311/16	27/8	—	13/16	53/8	7/8	2	9/32	30.8
F26XXH300R	R1	4	26	10.345	10.225	8 1/4	11 1/16	331/32	311/16	27/8	—	13/16	53/8	7/8	2	9/32	35.0
F30XXH300R	R1	4	30	11.937	11.817	9 7/8	12 11/16	331/32	311/16	27/8	—	13/16	53/8	7/8	2	9/32	45.6
F34XXH300R	R1	4	34	13.528	13.408	11 1/4	14 1/4	331/32	311/16	27/8	—	13/16	53/8	7/8	2	9/32	49.5
F40XXH300R	R1	4	40	15.915	15.795	13 5/8	16 5/8	331/32	311/16	27/8	—	13/16	53/8	7/8	2	9/32	59.5
48XXH300S	S1	4A	48	19.099	18.979	16 13/16	—	4 15/16	311/16	43/8	7/8	3/16	63/8	11/16	35/16	3/8	106
60XXH300S	S1	4A	60	23.873	23.753	21 5/8	—	4 15/16	311/16	43/8	7/8	3/16	63/8	11/16	35/16	3/8	120
72XXH300S	S1	4A	72	28.648	28.528	26 3/8	—	4 15/16	311/16	43/8	7/8	3/16	63/8	11/16	35/16	3/8	138
90XXH300S	S1	4A	90	35.810	35.690	33 1/2	—	4 15/16	311/16	43/8	7/8	3/16	63/8	11/16	35/16	3/8	186



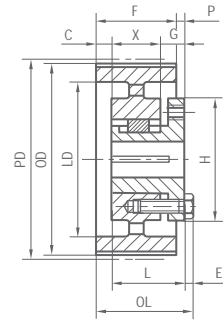
TYPE 3B



TYPE 4



TYPE 4A



TYPE 4C

XXH400 PITCH 1 1/4" (31.75mm)

SPCFCTN	BUSH	TYPE	Z	Diameters				Dimensions									wt Lbs Less BUSH
				PD	OD	ID	FD	L1	F	L	P	C	H	G	X	E	
F18XXH400R	R2	3B	18	7.162	7.042	5 1/2	7 7/8	5 5/32	4 3/4	4 7/8	1/8	—	5 3/8	7/8	4	9/32	25.8
F20XXH400R	R2	3B	20	7.958	7.838	6	8 11/16	5 5/32	4 3/4	4 7/8	1/8	—	5 3/8	7/8	4	9/32	35.7
F22XXH400R	R2	3B	22	8.753	8.633	6 3/4	9 1/2	5 5/32	4 3/4	4 7/8	1/8	—	5 3/8	7/8	4	9/32	47.2
F24XXH400R	R2	4	24	9.549	9.429	7 1/2	10 5/16	5 5/32	4 3/4	4 7/8	1/8	—	5 3/8	7/8	4	9/32	56.0
F26XXH400R	R2	4	26	10.345	10.225	8 1/4	11 1/16	5 5/32	4 3/4	4 7/8	1/8	—	5 3/8	7/8	4	9/32	66.0
F30XXH400R	R2	4	30	11.937	11.817	9 7/8	12 11/16	5 5/32	4 3/4	4 7/8	1/8	—	5 3/8	7/8	4	9/32	75.0
F34XXH400S	S1	4	34	13.528	13.408	11 1/4	14 1/4	5 1/8	4 3/4	4 3/8	0	3/8	6 3/8	1 1/16	3 5/16	3/8	80.0
F40XXH400S	S1	4	40	15.915	15.795	13 5/8	16 5/8	5 1/8	4 3/4	4 3/8	0	3/8	6 3/8	1 1/16	3 5/16	3/8	103
48XXH400U	U1	4A	48	19.099	18.979	16 13/16	—	7 19/32	4 3/4	7 1/8	1 15/16	7/16	8 3/8	1 1/2	5 5/8	1 5/32	165
60XXH400U	U1	4A	60	23.873	23.753	21 5/8	—	7 19/32	4 3/4	7 1/8	1 15/16	7/16	8 3/8	1 1/2	5 5/8	1 5/32	183
72XXH400U	U1	4A	72	28.648	28.528	26 3/8	—	7 19/32	4 3/4	7 1/8	1 15/16	7/16	8 3/8	1 1/2	5 5/8	1 5/32	208
90XXH400U	U1	4A	90	35.810	35.690	33 1/2	—	7 19/32	4 3/4	7 1/8	1 15/16	7/16	8 3/8	1 1/2	5 5/8	1 5/32	285

XXH500 PITCH 1 1/4" (31.75mm)

SPCFCTN	BUSH	TYPE	Z	Diameters				Dimensions									wt Lbs Less BUSH
				PD	OD	ID	FD	L1	F	L	P	C	H	G	X	E	
F18XXH500R	R2	3B	18	7.162	7.042	5 1/2	7 7/8	6 3/32	5 13/16	4 7/8	0	1 5/16	5 3/8	7/8	4	9/32	29.0
F20XXH500R	R2	3B	20	7.958	7.838	6	8 11/16	6 3/32	5 13/16	4 7/8	0	1 5/16	5 3/8	7/8	4	9/32	40.0
F22XXH500R	R2	3B	22	8.753	8.633	6 3/4	9 1/2	6 3/32	5 13/16	4 7/8	0	1 5/16	5 3/8	7/8	4	9/32	51.5
F24XXH500R	R2	4	24	9.549	9.429	7 1/2	10 5/16	6 3/32	5 13/16	4 7/8	0	1 5/16	5 3/8	7/8	4	9/32	61.5
F26XXH500R	R2	4	26	10.345	10.225	8 1/4	11 1/16	6 3/32	5 13/16	4 7/8	0	1 5/16	5 3/8	7/8	4	9/32	73.0
F30XXH500R	R2	4	30	11.937	11.817	9 7/8	12 11/16	6 3/32	5 13/16	4 7/8	0	1 5/16	5 3/8	7/8	4	9/32	86.0
F34XXH500S	S1	4	34	13.528	13.408	11 1/4	14 1/4	6 3/16	5 13/16	4 3/8	0	1 7/16	6 3/8	1 1/16	3 5/16	3/8	92.0
F40XXH500S	S1	4	40	15.915	15.795	13 5/8	16 5/8	6 3/16	5 13/16	4 3/8	0	1 7/16	6 3/8	1 1/16	3 5/16	3/8	115
48XXH500U	U1	4C	48	19.099	18.979	16 13/16	—	7 11/16	5 13/16	7 1/8	1 19/32	3/32	8 3/8	1 1/2	5 5/8	1 5/32	174
60XXH500U	U1	4C	60	23.873	23.753	21 5/8	—	7 11/16	5 13/16	7 1/8	1 19/32	3/32	8 3/8	1 1/2	5 5/8	1 5/32	204
72XXH500U	U1	4C	72	28.648	28.528	26 3/8	—	7 11/16	5 13/16	7 1/8	1 19/32	3/32	8 3/8	1 1/2	5 5/8	1 5/32	247
90XXH500U	U1	4C	90	35.810	35.690	33 1/2	—	7 11/16	5 13/16	7 1/8	1 19/32	3/32	8 3/8	1 1/2	5 5/8	1 5/32	308

HTP *Timing Pulley*

NSPT pilot bore HTP timing belt pulleys (3M, 5M, 14M, 20M) can be processed to all kinds of finished bore products and can be used to all kinds of OEM products.

NSPT Standard Stock Bore Timing Pulleys



QTL-Bushing Taper Bore HTD Timing Pulleys

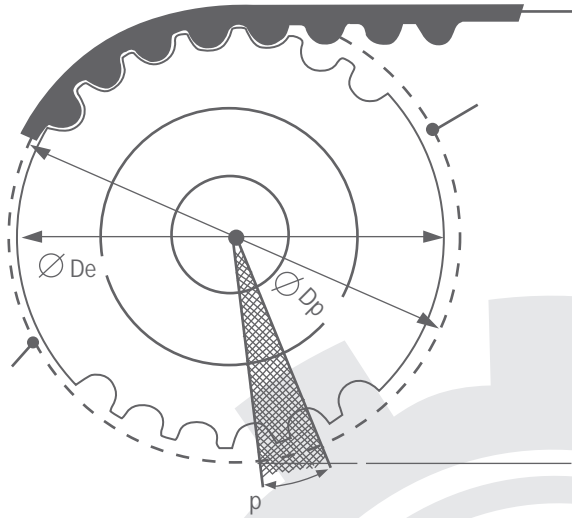
QTL taper bore HTP timing belt pulleys include 5M, 8M, 14M and 20M types. The mating bushings are available in both metric and imperial bores.

BLT taper bore HTP timing belt pulleys include 8M and 14M types. The mating bushings are available in both metric and imperial bores.



BTL-Bushing and Taper Bore HTD Timing Pulleys

HTP Timing Pulley





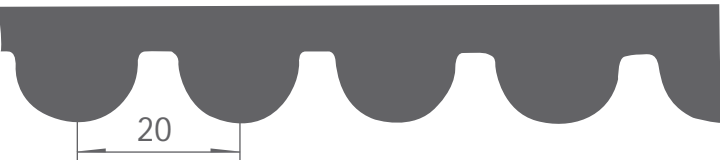


There are 5 common types of pitches:
3M, 5M, 8M, 14M and 20M.
(The product is patented, and
must get approval of patented producing
and selling.)

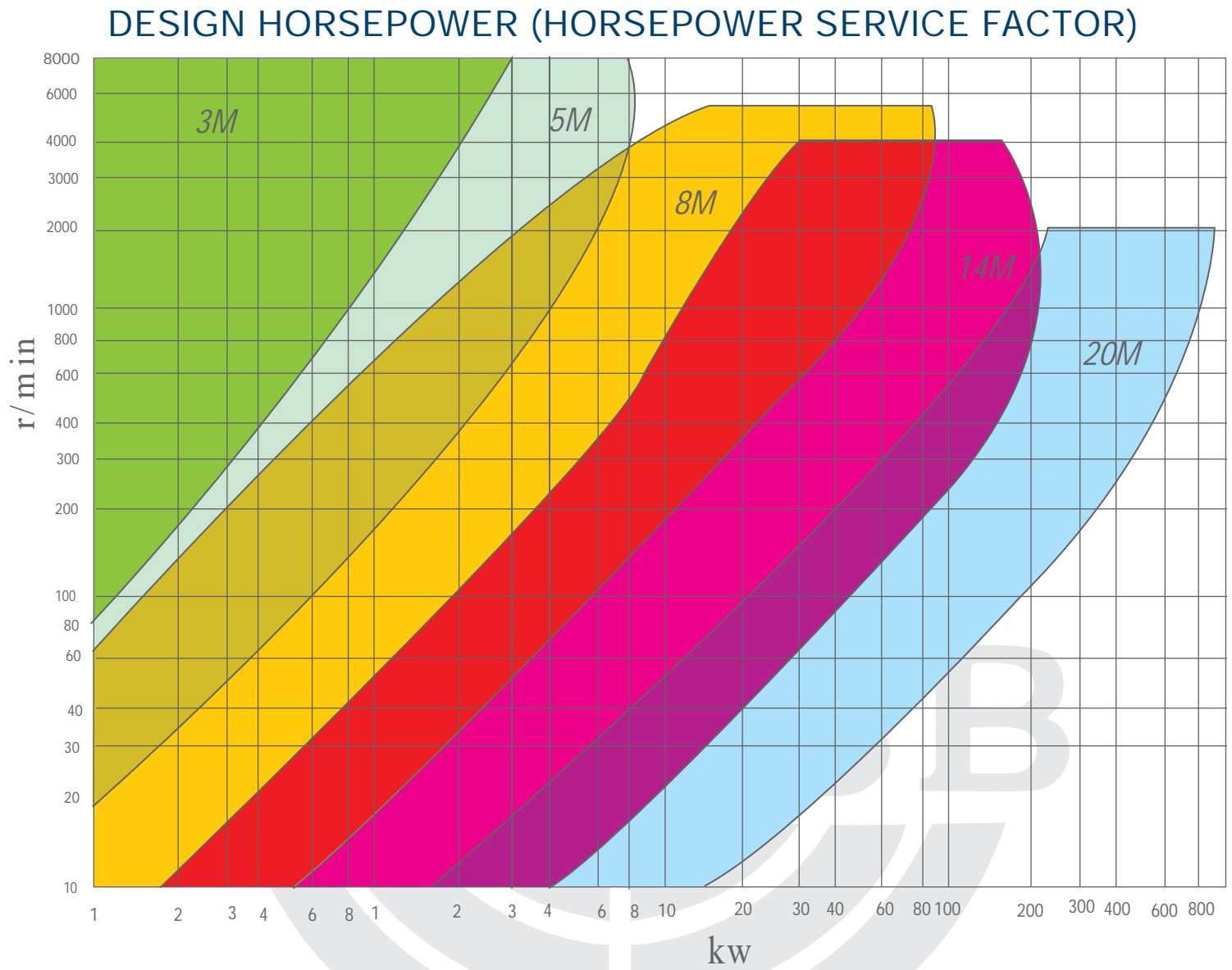
P= Pitch is the distance measured from the central line between two adjacent teeth of pulleys and timing pulleys.

D_p = Pitch circle diameter of belt pulley.

D_e = External diameter of pulley.

SPECIFICATION OF BELT AND PULLEY	TEETH DIMENSIONS OF BELT
HTP 3M	
HTP 5M	
HTP 8M	
HTP 14M	
HTP 20M	

HTP Timing pulley



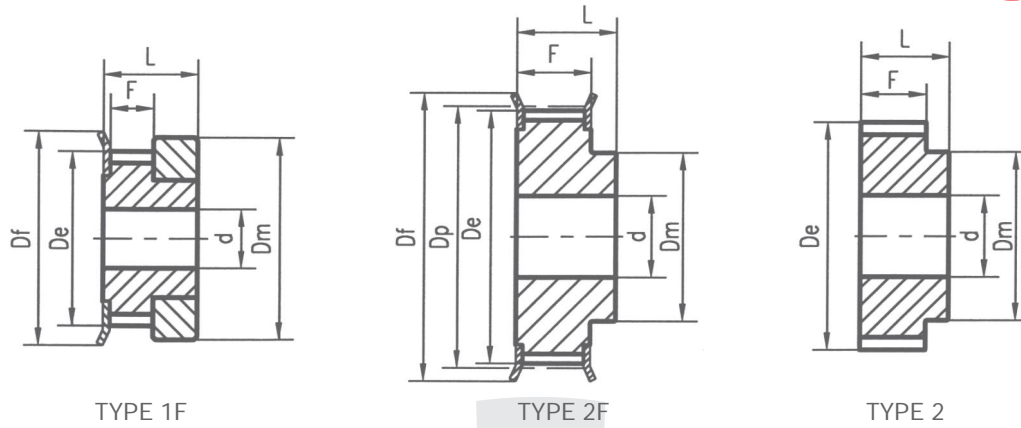
SPECIFICATION AND TYPE FOR TIMING BELT PULLEY

EXAMPLE:

30 - 8M - 30 F

- F indicating using flange
- indicating 30mm width of belt
- pitch code
- indicating teeth number 30 teeth

HTP Timing pulley



HTP 3M-06

NSPT Standard

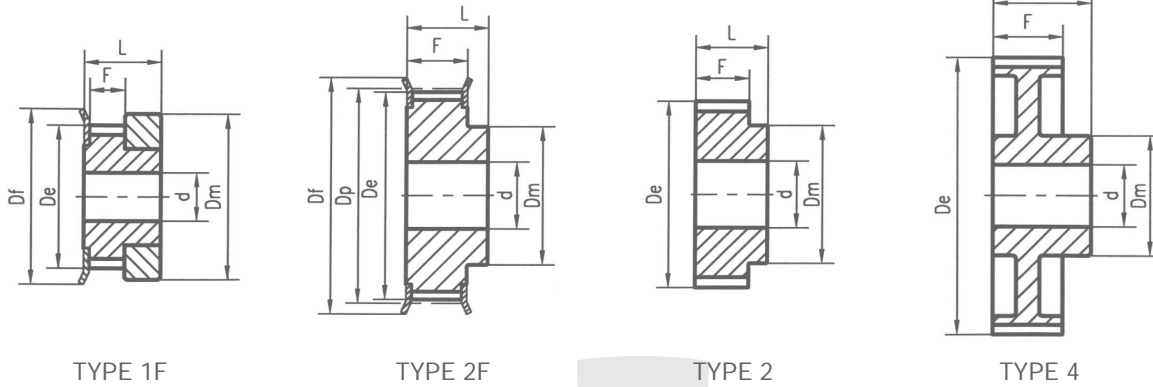
SPCFCTN	TYPE	Z	Dp	De	Df	Dm	F	L	d
10-3M-06F	1F	10	0.376	0.346	33/64	33/64	9/32	9/16	1/8
12-3M-06F	1F	12	0.451	0.421	19/32	19/32	9/32	9/16	3/16
14-3M-06F	1F	14	0.526	0.496	21/32	21/32	9/32	9/16	3/16
15-3M-06F	1F	15	0.564	0.534	11/16	11/16	9/32	9/16	3/16
16-3M-06F	2F	16	0.602	0.572	23/32	13/32	25/64	11/16	1/4
18-3M-06F	2F	18	0.677	0.647	49/64	7/16	25/64	11/16	1/4
20-3M-06F	2F	20	0.752	0.722	29/32	17/32	25/64	11/16	1/4
21-3M-06F	2F	21	0.789	0.759	63/64	9/16	25/64	11/16	1/4
22-3M-06F	2F	22	0.827	0.797	63/64	9/16	25/64	11/16	1/4
24-3M-06F	2F	24	0.902	0.872	63/64	9/16	25/64	11/16	1/4
26-3M-06F	2F	26	0.978	0.948	13/32	11/16	25/64	11/16	1/4
28-3M-06F	2F	28	1.053	1.023	11/4	11/16	25/64	11/16	1/4
30-3M-06F	2F	30	1.124	1.098	11/4	25/32	25/64	11/16	1/4
32-3M-06F	2F	32	1.203	1.173	17/16	7/8	25/64	11/16	1/4
36-3M-06F	2F	36	1.353	1.324	11/2	11/32	13/32	45/64	1/4
40-3M-06F	2F	40	1.504	1.474	111/16	13/32	13/32	45/64	1/4
44-3M-06F	2F	44	1.654	1.624	17/8	19/32	13/32	45/64	1/4
48-3M-06	2	48	1.805	1.775	—	19/32	13/32	47/64	3/8
60-3M-06	2	60	2.256	2.226	—	19/32	13/32	47/64	3/8
72-3M-06	2	72	2.707	2.677	—	19/32	13/32	47/64	3/8

HTP 3M-09

NSPT Standard

SPCFCTN	TYPE	Z	Dp	De	Df	Dm	F	L	d
10-3M-09F	1F	10	0.376	0.346	33/64	33/64	13/32	11/16	1/8
12-3M-09F	1F	12	0.451	0.421	19/32	19/32	13/32	11/16	3/16
14-3M-09F	1F	14	0.526	0.496	21/32	21/32	13/32	11/16	3/16
15-3M-09F	1F	15	0.564	0.534	11/16	11/16	13/32	11/16	3/16
16-3M-09F	2F	16	0.602	0.572	23/32	13/32	33/64	13/16	1/4
18-3M-09F	2F	18	0.677	0.647	49/64	7/16	33/64	13/16	1/4
20-3M-09F	2F	20	0.752	0.722	29/32	17/32	33/64	13/16	1/4
21-3M-09F	2F	21	0.789	0.759	63/64	9/16	33/64	13/16	1/4
22-3M-09F	2F	22	0.827	0.797	63/64	9/16	33/64	13/16	1/4
24-3M-09F	2F	24	0.902	0.872	63/64	9/16	33/64	13/16	1/4
26-3M-09F	2F	26	0.978	0.948	13/32	11/16	33/64	13/16	1/4
28-3M-09F	2F	28	1.053	1.023	11/4	11/16	33/64	13/16	1/4
30-3M-09F	2F	30	1.124	1.098	11/4	25/32	33/64	13/16	1/4
32-3M-09F	2F	32	1.203	1.173	17/16	7/8	33/64	13/16	1/4
36-3M-09F	2F	36	1.353	1.324	11/2	11/32	17/32	7/8	1/4
40-3M-09F	2F	40	1.504	1.474	111/16	13/32	17/32	7/8	1/4
44-3M-09F	2F	44	1.654	1.624	17/8	19/32	17/32	7/8	1/4
48-3M-09	2	48	1.805	1.775	—	19/32	17/32	7/8	3/8
60-3M-09	2	60	2.256	2.226	—	19/32	17/32	7/8	3/8
72-3M-09	2	72	2.707	2.677	—	19/32	17/32	7/8	3/8

HTP Timing pulley



TYPE 1F

TYPE 2F

TYPE 2

TYPE 4

HTP 3M-15

NSPT Standard

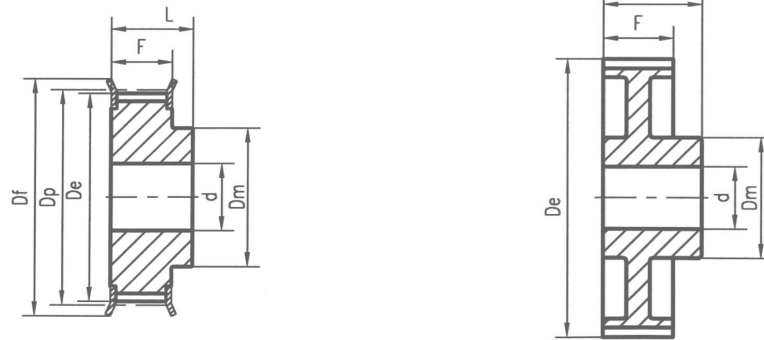
SPCFCTN	TYPE	Z	Dp	De	Df	Dm	F	L	d
10-3M-15F	1F	10	0.376	0.346	33/64	33/64	21/32	1	1/8
12-3M-15F	1F	12	0.451	0.421	19/32	19/32	21/32	1	3/16
14-3M-15F	1F	14	0.526	0.496	21/32	21/32	21/32	1	3/16
15-3M-15F	1F	15	0.564	0.534	11/16	11/16	21/32	1	3/16
16-3M-15F	2F	16	0.602	0.572	23/32	13/32	49/64	1	1/4
18-3M-15F	2F	18	0.677	0.647	49/64	7/16	49/64	1	1/4
20-3M-15F	2F	20	0.752	0.722	29/32	17/32	49/64	1	1/4
21-3M-15F	2F	21	0.789	0.759	63/64	9/16	49/64	1	1/4
22-3M-15F	2F	22	0.827	0.797	63/64	9/16	49/64	1	1/4
24-3M-15F	2F	24	0.902	0.872	63/64	9/16	49/64	1	1/4
26-3M-15F	2F	26	0.978	0.948	13/32	11/16	49/64	1	1/4
28-3M-15F	2F	28	1.053	1.023	11/4	11/16	49/64	1	1/4
30-3M-15F	2F	30	1.124	1.098	11/4	25/32	49/64	1	1/4
32-3M-15F	2F	32	1.203	1.173	17/16	7/8	49/64	1	1/4
36-3M-15F	2F	36	1.353	1.324	11/2	11/32	25/32	13/16	1/4
40-3M-15F	2F	40	1.504	1.474	111/16	13/32	25/32	13/16	1/4
44-3M-15F	2F	44	1.654	1.624	17/8	19/32	25/32	13/16	1/4
48-3M-15	2	48	1.805	1.775	-	19/32	25/32	13/16	3/8
60-3M-15	2	60	2.256	2.226	-	19/32	25/32	13/16	3/8
72-3M-15	2	72	2.707	2.677	-	19/32	25/32	13/16	3/8

HTP 5M-09

NSPT Standard

SPCFCTN	TYPE	Z	Dp	De	Df	Dm	F	L	d
12-5M-09F	2F	12	0.752	0.707	15/16	7/16	9/16	3/4	1/4
14-5M-09F	2F	14	0.877	0.832	1	9/16	9/16	3/4	1/4
15-5M-09F	2F	15	0.940	0.895	11/8	5/8	9/16	3/4	1/4
16-5M-09F	2F	16	1.002	0.957	11/8	5/8	9/16	3/4	1/4
18-5M-09F	2F	18	1.128	1.083	11/4	25/32	9/16	3/4	1/4
20-5M-09F	2F	20	1.253	1.208	17/16	29/32	9/16	7/8	1/4
21-5M-09F	2F	21	1.316	1.271	11/2	15/16	9/16	7/8	1/4
22-5M-09F	2F	22	1.378	1.333	11/2	1	9/16	7/8	1/4
24-5M-09F	2F	24	1.504	1.459	111/16	11/16	9/16	7/8	1/4
26-5M-09F	2F	26	1.629	1.584	111/16	13/16	9/16	7/8	1/4
28-5M-09F	2F	28	1.754	1.709	17/8	13/16	9/16	7/8	1/4
30-5M-09F	2F	30	1.880	1.835	2	13/8	9/16	7/8	1/4
32-5M-09F	2F	32	2.005	1.960	21/8	11/2	9/16	7/8	3/8
36-5M-09F	2F	36	2.256	2.211	23/8	11/2	9/16	7/8	3/8
40-5M-09F	2F	40	2.506	2.461	23/4	11/2	9/16	7/8	3/8
44-5M-09	4	44	2.757	2.712	-	11/2	9/16	1	3/8
48-5M-09	4	48	3.007	2.962	-	17/8	9/16	1	3/8
60-5M-09	4	60	3.759	3.714	-	17/8	9/16	1	3/8
72-5M-09	4	72	4.511	4.466	-	17/8	9/16	1	3/8

HTP Timing pulley



TYPE 2F

TYPE 4

HTP 5M-15

NSPT Standard

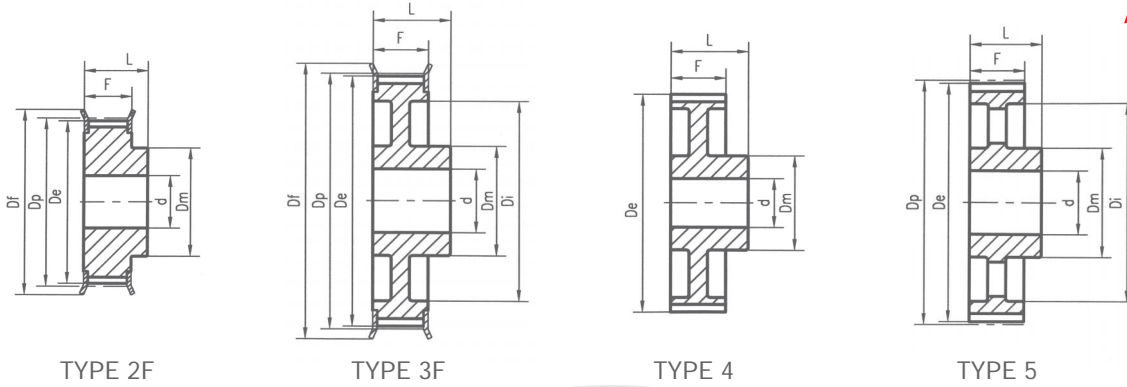
SPCFCTN	TYPE	Z	Dp	De	Df	Dm	F	L	d
12-5M-15F	2F	12	0.752	0.707	15/16	7/16	13/16	1	1/4
14-5M-15F	2F	14	0.877	0.832	1	9/16	13/16	1	1/4
15-5M-15F	2F	15	0.940	0.895	1 1/8	5/8	13/16	1	1/4
16-5M-15F	2F	16	1.002	0.957	1 1/8	5/8	13/16	1	1/4
18-5M-15F	2F	18	1.128	1.083	1 1/4	25/32	13/16	1	1/4
20-5M-15F	2F	20	1.253	1.208	1 7/16	29/32	13/16	1	1/4
21-5M-15F	2F	21	1.316	1.271	1 1/2	15/16	13/16	1	1/4
22-5M-15F	2F	22	1.378	1.333	1 1/2	1	13/16	1	1/4
24-5M-15F	2F	24	1.504	1.459	1 11/16	1 1/16	13/16	1 3/16	1/4
26-5M-15F	2F	26	1.629	1.584	1 11/16	1 3/16	13/16	1 3/16	1/4
28-5M-15F	2F	28	1.754	1.709	1 7/8	1 3/16	13/16	1 3/16	1/4
30-5M-15F	2F	30	1.880	1.835	2	1 3/8	13/16	1 3/16	1/4
32-5M-15F	2F	32	2.005	1.960	2 1/8	1 1/2	13/16	1 3/16	5/16
36-5M-15F	2F	36	2.256	2.211	2 3/8	1 1/2	13/16	1 3/16	5/16
40-5M-15F	2F	40	2.506	2.461	2 3/4	1 1/2	13/16	1 3/16	5/16
44-5M-15	4	44	2.757	2.712	—	1 1/2	13/16	1 1/4	5/16
48-5M-15	4	48	3.007	2.962	—	2	13/16	1 1/4	5/16
60-5M-15	4	60	3.759	3.714	—	2	13/16	1 1/4	5/16
72-5M-15	4	72	4.511	4.466	—	2	13/16	1 1/4	5/16

HTP 5M-25

NSPT Standard

SPCFCTN	TYPE	Z	Dp	De	Df	Dm	F	L	d
12-5M-25F	2F	12	0.752	0.707	15/16	7/16	17/32	1 13/32	1/4
14-5M-25F	2F	14	0.877	0.832	1	9/16	17/32	1 13/32	1/4
15-5M-25F	2F	15	0.940	0.895	1 1/8	5/8	17/32	1 13/32	1/4
16-5M-25F	2F	16	1.002	0.957	1 1/8	5/8	17/32	1 13/32	1/4
18-5M-25F	2F	18	1.128	1.083	1 1/4	25/32	17/32	1 13/32	1/4
20-5M-25F	2F	20	1.253	1.208	1 7/16	29/32	17/32	1 13/32	1/4
21-5M-25F	2F	21	1.316	1.271	1 1/2	15/16	17/32	1 1/2	1/4
22-5M-25F	2F	22	1.378	1.333	1 1/2	1	17/32	1 1/2	1/4
24-5M-25F	2F	24	1.504	1.459	1 11/16	1 1/16	17/32	1 1/2	1/4
26-5M-25F	2F	26	1.629	1.584	1 11/16	1 3/16	17/32	1 1/2	1/4
28-5M-25F	2F	28	1.754	1.709	1 7/8	1 3/16	17/32	1 1/2	1/4
30-5M-25F	2F	30	1.880	1.835	2	1 3/8	17/32	1 1/2	1/4
32-5M-25F	2F	32	2.005	1.960	2 1/8	1 1/2	17/32	1 1/2	5/16
36-5M-25F	2F	36	2.256	2.211	2 3/8	1 1/2	17/32	1 1/2	5/16
40-5M-25F	2F	40	2.506	2.461	2 3/4	1 1/2	17/32	1 1/2	5/16
44-5M-25	4	44	2.757	2.712	—	1 1/2	17/32	1 9/16	5/16
48-5M-25	4	48	3.007	2.962	—	2	17/32	1 9/16	5/16
60-5M-25	4	60	3.759	3.714	—	2	17/32	1 9/16	5/16
72-5M-25	4	72	4.511	4.466	—	2	17/32	1 9/16	5/16

HTP Timing pulley



TYPE 2F

TYPE 3F

TYPE 4

TYPE 5

HTP 8M-20

NSPT Standard

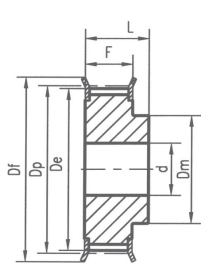
SPCFCTN	TYPE	Z	Dp	De	Df	Dm	DI	F	L	d
22-8M-20F	2F	22	2.206	2.152	23/8	111/16	—	11/8	11/2	1/2
24-8M-20F	2F	24	2.406	2.352	25/8	17/8	—	11/8	11/2	1/2
26-8M-20F	2F	26	2.607	2.553	23/4	2	—	11/8	11/2	1/2
28-8M-20F	2F	28	2.807	2.759	215/16	2	—	11/8	11/2	5/8
30-8M-20F	2F	30	3.008	2.958	39/32	23/16	—	11/8	11/2	5/8
32-8M-20F	2F	32	3.208	3.154	37/16	23/8	—	11/8	11/2	5/8
34-8M-20F	2F	34	3.409	3.355	39/16	23/4	—	11/8	11/2	5/8
36-8M-20F	2F	36	3.609	3.555	313/16	23/4	—	11/8	11/2	5/8
38-8M-20F	2F	38	3.810	3.756	4	215/16	—	11/8	11/2	5/8
40-8M-20F	2F	40	4.010	3.956	413/32	215/16	—	11/8	11/2	5/8
44-8M-20F	2F	44	4.411	4.357	43/4	215/16	—	11/8	11/2	5/8
48-8M-20F	2F	48	4.812	4.758	5	215/16	—	11/8	11/2	5/8
56-8M-20F	3F	56	5.614	5.560	515/16	33/16	45/8	11/8	11/2	5/8
64-8M-20F	3F	64	6.416	6.362	65/8	33/16	53/8	11/8	11/2	5/8
72-8M-20F	3F	72	7.218	7.164	79/16	33/16	63/16	11/8	11/2	5/8
80-8M-20	4	80	8.020	7.966	—	39/16	7	11/8	11/2	5/8
90-8M-20	4	90	9.023	8.969	—	39/16	8	11/8	11/2	5/8
112-8M-20	5	112	11.229	11.175	—	39/16	101/4	11/8	11/2	5/8
144-8M-20	5	144	14.437	14.383	—	39/16	133/8	11/8	11/2	3/4
168-8M-20	5	168	16.843	16.789	—	4	1513/16	11/8	11/2	3/4
192-8M-20	5	192	19.249	19.195	—	4	181/4	11/8	11/2	3/4

HTP 8M-30

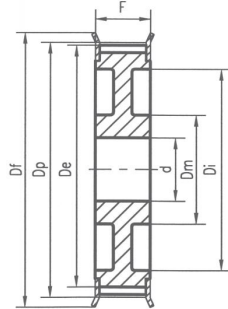
NSPT Standard

SPCFCTN	TYPE	Z	Dp	De	Df	Dm	DI	F	L	d
22-8M-30F	2F	22	2.206	2.152	23/8	111/16	—	11/2	115/16	1/2
24-8M-30F	2F	24	2.406	2.352	25/8	17/8	—	11/2	115/16	1/2
26-8M-30F	2F	26	2.607	2.553	23/4	2	—	11/2	115/16	1/2
28-8M-30F	2F	28	2.807	2.753	215/16	2	—	11/2	115/16	5/8
30-8M-30F	2F	30	3.008	2.954	39/32	23/16	—	11/2	115/16	5/8
32-8M-30F	2F	32	3.208	3.154	37/16	23/8	—	11/2	115/16	5/8
34-8M-30F	2F	34	3.409	3.355	39/16	23/4	—	11/2	115/16	5/8
36-8M-30F	2F	36	3.609	3.555	313/16	23/4	—	11/2	115/16	5/8
38-8M-30F	2F	38	3.810	3.756	4	215/16	—	11/2	115/16	5/8
40-8M-30F	2F	40	4.010	3.956	413/32	215/16	—	11/2	115/16	5/8
44-8M-30F	2F	44	4.411	4.357	43/4	215/16	—	11/2	115/16	5/8
48-8M-30F	2F	48	4.812	4.758	5	215/16	—	11/2	115/16	5/8
56-8M-30F	3F	56	5.614	5.560	515/16	33/16	45/8	11/2	115/16	5/8
64-8M-30F	3F	64	6.416	6.362	65/8	33/16	53/8	11/2	115/16	5/8
72-8M-30F	3F	72	7.218	7.164	79/16	33/16	63/16	11/2	115/16	5/8
80-8M-30	4	80	8.020	7.966	—	39/16	7	11/2	115/16	5/8
90-8M-30	4	90	9.023	8.969	—	39/16	8	11/2	115/16	5/8
112-8M-30	5	112	11.229	11.175	—	39/16	101/4	11/2	115/16	5/8
144-8M-30	5	144	14.437	14.383	—	39/16	133/8	11/2	115/16	3/4
168-8M-30	5	168	16.843	16.789	—	4	1513/16	11/2	115/16	3/4
192-8M-30	5	192	19.249	19.195	—	4	181/4	11/2	115/16	3/4

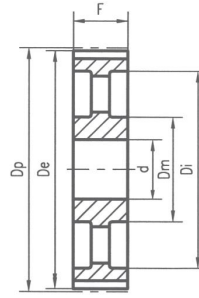
HTP Timing pulley



TYPE 2F



TYPE 6F



TYPE 7

HTP 8M-50

NSPT Standard

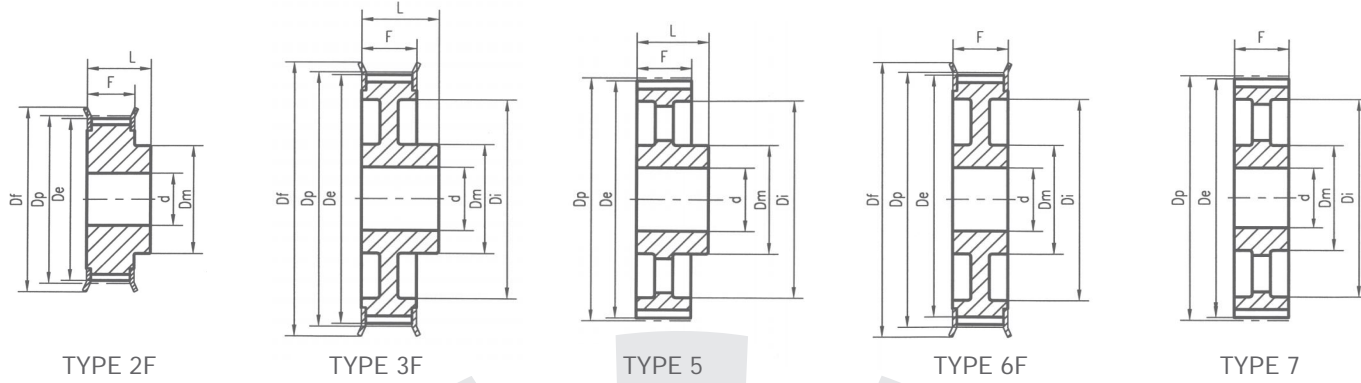
SPCFCTN	TYPE	Z	Dp	De	Df	Dm	DI	F	L	d
22-8M-50F	2F	22	2.206	2.152	23/8	111/16	—	23/8	23/4	1/2
24-8M-50F	2F	24	2.406	2.352	25/8	17/8	—	23/8	23/4	1/2
26-8M-50F	2F	26	2.607	2.553	23/4	2	—	23/8	23/4	1/2
28-8M-50F	2F	28	2.807	2.759	215/16	2	—	23/8	23/4	5/8
30-8M-50F	2F	30	3.008	2.958	39/32	23/16	—	23/8	23/4	5/8
32-8M-50F	2F	32	3.208	3.154	37/16	23/8	—	23/8	23/4	5/8
34-8M-50F	2F	34	3.409	3.355	39/16	23/4	—	23/8	23/4	5/8
36-8M-50F	2F	36	3.609	3.555	313/16	23/4	—	23/8	23/4	5/8
38-8M-50F	2F	38	3.810	3.756	4	215/16	—	23/8	23/4	5/8
40-8M-50F	2F	40	4.010	3.956	413/32	215/16	—	23/8	23/4	3/4
44-8M-50F	2F	44	4.411	4.357	43/4	215/16	—	23/8	23/4	3/4
48-8M-50F	2F	48	4.812	4.758	5	33/16	—	23/8	23/4	3/4
56-8M-50F	6F	56	5.614	5.560	515/16	39/16	45/8	23/8	23/8	3/4
64-8M-50F	6F	64	6.416	6.362	65/8	4	53/8	23/8	23/8	3/4
72-8M-50F	6F	72	7.218	7.164	79/16	4	63/16	23/8	23/8	3/4
80-8M-50	7	80	8.020	7.966	—	43/8	7	23/8	23/8	3/4
90-8M-50	7	90	9.023	8.969	—	43/8	8	23/8	23/8	3/4
112-8M-50	7	112	11.229	11.175	—	43/8	101/4	23/8	23/8	3/4
144-8M-50	7	144	14.437	14.383	—	43/8	133/8	23/8	23/8	3/4
168-8M-50	7	168	16.843	16.789	—	43/4	1513/16	23/8	23/8	3/4
192-8M-50	7	192	19.249	19.195	—	51/8	181/4	23/8	23/8	3/4

HTP 8M-85

NSPT Standard

SPCFCTN	TYPE	Z	Dp	De	Df	Dm	DI	F	L	d
22-8M-85F	2F	22	2.206	2.152	23/8	111/16	—	33/4	41/8	1/2
24-8M-85F	2F	24	2.406	2.352	25/8	17/8	—	33/4	41/8	1/2
26-8M-85F	2F	26	2.607	2.553	23/4	2	—	33/4	41/8	1/2
28-8M-85F	2F	28	2.807	2.759	215/16	2	—	33/4	41/8	5/8
30-8M-85F	2F	30	3.008	2.958	39/32	23/16	—	33/4	41/8	5/8
32-8M-85F	2F	32	3.208	3.154	37/16	23/8	—	33/4	41/8	5/8
34-8M-85F	2F	34	3.409	3.355	39/16	23/4	—	33/4	41/8	5/8
36-8M-85F	2F	36	3.609	3.555	313/16	23/4	—	33/4	41/8	5/8
38-8M-85F	2F	38	3.810	3.756	4	215/16	—	33/4	41/8	5/8
40-8M-85F	2F	40	4.010	3.956	413/32	215/16	—	33/4	41/8	5/8
44-8M-85F	2F	44	4.411	4.357	43/4	215/16	—	33/4	41/8	3/4
48-8M-85F	2F	48	4.812	4.758	5	33/16	—	33/4	41/8	3/4
56-8M-85F	2F	56	5.614	5.560	515/16	39/16	—	33/4	41/8	3/4
64-8M-85F	6F	64	6.416	6.362	65/8	4	53/8	33/4	33/4	3/4
72-8M-85F	6F	72	7.218	7.164	79/16	4	63/16	33/4	33/4	3/4
80-8M-85	6	80	8.020	7.966	—	43/8	7	33/4	33/4	3/4
90-8M-85	7	90	9.023	8.969	—	43/8	8	33/4	33/4	3/4
112-8M-85	7	112	11.229	11.175	—	43/8	101/4	33/4	33/4	1
144-8M-85	7	144	14.447	14.388	—	43/8	133/8	33/4	33/4	1
168-8M-85	7	168	16.818	16.789	—	43/4	1513/16	33/4	33/4	1
192-8M-85	7	192	19.249	19.195	—	51/8	181/4	33/4	33/4	1

HTP Timing pulley



HTP 14M-40

NSPT Standard

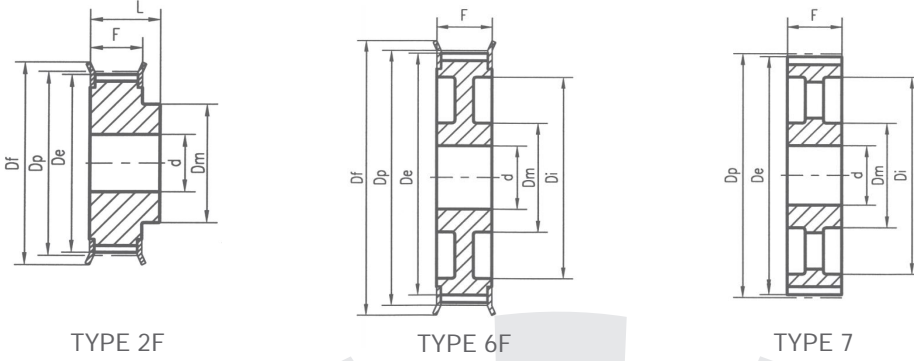
SPCFCTN	TYPE	Z	Dp	De	Df	Dm	DI	F	L	d
28-14M-40F	2F	28	4.912	4.808	5/16	4	—	2 1/8	2 3/4	1
29-14M-40F	2F	29	5.088	4.983	5/8	4	—	2 1/8	2 3/4	1
30-14M-40F	2F	30	5.263	5.157	5/8	4	—	2 1/8	2 3/4	1
32-14M-40F	2F	32	5.614	5.507	65/8	4	—	2 1/8	2 3/4	1
34-14M-40F	2F	34	5.965	5.858	65/8	4	—	2 1/8	2 3/4	1
36-14M-40F	2F	36	6.316	6.208	67/8	4	—	2 1/8	2 3/4	1
38-14M-40F	2F	38	6.667	6.559	79/16	4 3/4	—	2 1/8	2 3/4	1
40-14M-40F	2F	40	7.018	6.909	77/8	4 3/4	—	2 1/8	2 3/4	1
44-14M-40F	2F	44	7.720	7.610	85/16	4 3/4	—	2 1/8	2 3/4	1
48-14M-40F	3F	48	8.421	8.311	87/8	5 5/16	6 3/4	2 1/8	2 3/4	1
56-14M-40F	3F	56	9.825	9.715	107/16	5 5/16	8 1/8	2 1/8	2 3/4	1 1/8
64-14M-40F	3F	64	11.229	11.119	11 5/8	5 5/16	9 9/16	2 1/8	2 3/4	1 1/8
72-14M-40	5	72	12.632	12.522	—	5 5/16	10 15/16	2 1/8	2 3/4	1 1/8
80-14M-40	5	80	14.036	13.926	—	5 5/16	12 5/16	2 1/8	2 3/4	1 1/8
90-14M-40	5	90	15.790	15.680	—	5 5/16	14 1/16	2 1/8	2 3/4	1 1/8
112-14M-40	5	112	19.650	19.540	—	5 5/16	17 15/16	2 1/8	2 3/4	1 1/8
144-14M-40	5	144	25.264	25.154	—	5 5/16	23 5/8	2 1/8	2 3/4	1 1/8
168-14M-40	5	168	29.475	29.365	—	5 5/16	27 3/4	2 1/8	2 3/4	1 1/8
192-14M-40	5	192	33.686	33.576	—	5 5/8	32	2 1/8	2 3/4	1 1/8
216-14M-40	5	216	37.896	37.786	—	5 15/16	36 3/16	2 1/8	2 3/4	1 1/8

HTP 14M-55

NSPT Standard

SPCFCTN	TYPE	Z	Dp	De	Df	Dm	DI	F	L	d
28-14M-55F	2F	28	4.912	4.802	5/16	4	—	2 3/4	3 5/16	1
29-14M-55F	2F	29	5.088	4.983	5/8	4	—	2 3/4	3 5/16	1
30-14M-55F	2F	30	5.263	5.157	5/8	4	—	2 3/4	3 5/16	1
32-14M-55F	2F	32	5.614	5.507	65/8	4	—	2 3/4	3 5/16	1
34-14M-55F	2F	34	5.965	5.858	65/8	4	—	2 3/4	3 5/16	1
36-14M-55F	2F	36	6.316	6.208	67/8	4	—	2 3/4	3 5/16	1
38-14M-55F	2F	38	6.667	6.559	79/16	4 3/4	—	2 3/4	3 5/16	1
40-14M-55F	2F	40	7.018	6.909	77/8	4 3/4	—	2 3/4	3 5/16	1
44-14M-55F	2F	44	7.720	7.610	85/16	4 3/4	—	2 3/4	3 5/16	1
48-14M-55F	6F	48	8.421	8.311	87/8	5 5/16	6 3/4	2 3/4	2 3/4	1
56-14M-55F	6F	56	9.825	9.715	107/16	5 5/16	8 1/8	2 3/4	2 3/4	1 1/8
64-14M-55F	6F	64	11.229	11.119	11 5/8	5 5/16	9 9/16	2 3/4	2 3/4	1 1/8
72-14M-55	7	72	12.632	12.522	—	5 5/16	10 15/16	2 3/4	2 3/4	1 1/8
80-14M-55	7	80	14.036	13.926	—	5 5/16	12 5/16	2 3/4	2 3/4	1 1/8
90-14M-55	7	90	15.790	15.680	—	5 5/16	14 1/16	2 3/4	2 3/4	1 1/8
112-14M-55	7	112	19.650	19.540	—	5 5/16	17 15/16	2 3/4	2 3/4	1 1/8
144-14M-55	7	144	25.264	25.154	—	5 5/16	23 5/8	2 3/4	2 3/4	1 1/8
168-14M-5	7	168	29.475	29.365	—	5 5/16	27 3/4	2 3/4	2 3/4	1 1/8
192-14M-55	7	192	33.686	33.576	—	5 5/16	32	2 3/4	2 3/4	1 1/8
216-14M-55	7	216	37.896	37.786	—	5 15/16	36 3/16	2 3/4	2 3/4	1 1/8

HTP Timing pulley



HTP 14M-85

NSPT Standard

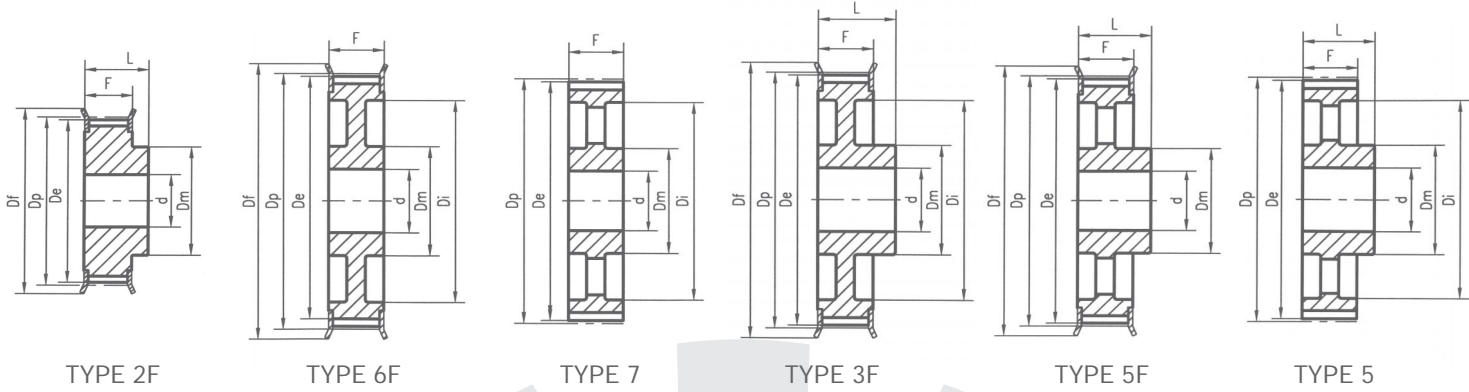
SPCFCTN	TYPE	Z	Dp	De	Df	Dm	DI	F	L	d
28-14M-85F	2F	28	4.912	4.808	55/16	4	—	4	45/8	1
29-14M-85F	2F	29	5.088	4.983	57/8	4	—	4	45/8	1
30-14M-85F	2F	30	5.263	5.157	57/8	4	—	4	45/8	1
32-14M-85F	2F	32	5.614	5.507	65/8	4	—	4	45/8	1
34-14M-85F	2F	34	5.965	5.858	65/8	4	—	4	45/8	1
36-14M-85F	2F	36	6.316	6.208	67/8	4	—	4	45/8	1 1/4
38-14M-85F	2F	38	6.667	6.559	79/16	4 3/4	—	4	45/8	1 1/4
40-14M-85F	2F	40	7.018	6.909	77/8	55/16	—	4	45/8	1 1/4
44-14M-85F	2F	44	7.720	7.610	85/16	55/16	—	4	45/8	1 1/4
48-14M-85F	2F	48	8.421	8.311	87/8	515/16	—	4	45/8	1 1/4
56-14M-85F	6F	56	9.825	9.715	107/16	515/16	81/8	4	4	1 1/4
64-14M-85F	6F	64	11.229	11.119	115/8	515/16	99/16	4	4	1 1/4
72-14M-85	7	72	12.632	12.522	—	515/16	1015/16	4	4	1 1/4
80-14M-85	7	80	14.036	13.926	—	515/16	125/16	4	4	1 1/4
90-14M-85	7	90	15.790	15.680	—	515/16	141/16	4	4	1 1/4
112-14M-85	7	112	19.650	19.540	—	515/16	1715/16	4	4	1 1/4
144-14M-85	7	144	25.264	25.154	—	515/16	235/8	4	4	1 1/4
168-14M-85	7	168	29.475	29.365	—	515/16	273/4	4	4	1 1/4
192-14M-85	7	192	33.686	33.576	—	61/2	32	4	4	1 1/4
216-14M-85	7	216	37.896	37.786	—	61/2	363/16	4	4	1 1/4

HTP 14M-115

NSPT Standard

SPCFCTN	TYPE	Z	Dp	De	Df	Dm	DI	F	L	d
28-14M-115F	2F	28	4.912	4.802	55/16	4	—	5 1/4	5 13/16	1 1/4
29-14M-115F	2F	29	5.088	4.983	57/8	4	—	5 1/4	5 13/16	1 1/4
30-14M-115F	2F	30	5.263	5.157	57/8	4	—	5 1/4	5 13/16	1 1/4
32-14M-115F	2F	32	5.614	5.507	65/8	4	—	5 1/4	5 13/16	1 1/4
34-14M-115F	2F	34	5.965	5.858	65/8	4	—	5 1/4	5 13/16	1 1/4
36-14M-115F	2F	36	6.316	6.208	67/8	4	—	5 1/4	5 13/16	1 1/4
38-14M-115F	2F	38	6.667	6.559	79/16	4 3/4	—	5 1/4	5 13/16	1 1/4
40-14M-115F	2F	40	7.018	6.909	77/8	55/16	—	5 1/4	5 13/16	1 1/4
44-14M-115F	2F	44	7.720	7.610	85/16	55/16	—	5 1/4	5 13/16	1 1/4
48-14M-115F	2F	48	8.421	8.311	87/8	515/16	—	5 1/4	5 13/16	1 1/4
56-14M-115F	2F	56	9.825	9.715	107/16	515/16	—	5 1/4	5 13/16	1 1/4
64-14M-115F	6F	64	11.229	11.119	115/8	515/16	99/16	5 1/4	5 1/4	1 1/4
72-14M-115	7	72	12.632	12.522	—	515/16	1015/16	5 1/4	5 1/4	1 1/4
80-14M-115	7	80	14.036	13.926	—	515/16	1215/16	5 1/4	5 1/4	1 1/4
90-14M-115	7	90	15.790	15.680	—	515/16	141/16	5 1/4	5 1/4	1 1/4
112-14M-115	7	112	19.650	19.540	—	515/16	171/16	5 1/4	5 1/4	1 1/4
144-14M-115	7	144	25.264	25.154	—	515/16	235/8	5 1/4	5 1/4	1 1/4
168-14M-115	7	168	29.475	29.365	—	515/16	273/4	5 1/4	5 1/4	1 1/4
192-14M-115	7	192	33.686	33.576	—	6 1/2	32	5 1/4	5 1/4	1 1/4
216-14M-115	7	216	37.896	37.786	—	6 1/2	363/16	5 1/4	5 1/4	1 1/4

HTP Timing pulley



HTP 14M-170

NSPT Standard

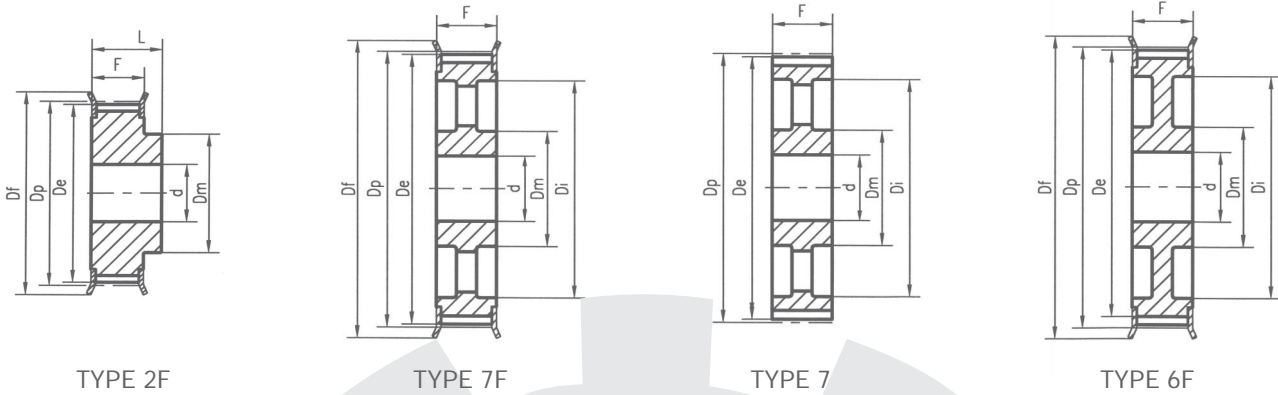
SPCFCTN	TYPE	Z	Dp	De	Df	Dm	DI	F	L	d
28-14M-170F	2F	28	4.912	4.808	55/16	4	—	7/8	8	1/4
29-14M-170F	2F	29	5.088	4.983	57/8	4	—	7/8	8	1/4
30-14M-170F	2F	30	5.263	5.157	57/8	4	—	7/8	8	1/4
32-14M-170F	2F	32	5.614	5.507	65/8	4	—	7/8	8	1/4
34-14M-170F	2F	34	5.965	5.858	65/8	4	—	7/8	8	1/4
36-14M-170F	2F	36	6.316	6.208	67/8	4 3/4	—	7/8	8	1/4
38-14M-170F	2F	38	6.667	6.559	79/16	5 5/16	—	7/8	8	1/4
40-14M-170F	2F	40	7.018	6.909	77/8	5 5/16	—	7/8	8	1/4
44-14M-170F	2F	44	7.720	7.610	85/16	6 5/16	—	7/8	8	1/4
48-14M-170F	2F	48	8.421	8.311	87/8	6 5/16	—	7/8	8	1/4
56-14M-170F	2F	56	9.825	9.715	107/16	6 5/16	—	7/8	8	1/4
64-14M-170F	2F	64	11.229	11.119	115/8	7 1/16	—	7/8	8	1/4
72-14M-170	6	72	12.632	12.522	—	7 1/16	10 15/16	7/8	7/8	1/4
80-14M-170	6	80	14.036	13.926	—	7 1/16	12 15/16	7/8	7/8	1/4
90-14M-170	7	90	15.790	15.680	—	7 1/16	14 1/16	7/8	7/8	1/2
112-14M-170	7	112	19.650	19.540	—	7 7/8	17 1/16	7/8	7/8	1/2
144-14M-170	7	144	25.264	25.154	—	8 5/8	23 5/8	7/8	7/8	1/2
168-14M-170	7	168	29.475	29.365	—	8 5/8	27 3/4	7/8	7/8	1/2
192-14M-170	7	192	33.685	33.576	—	8 5/8	32	7/8	7/8	1/2
216-14M-170	7	216	37.896	37.786	—	8 5/8	36 3/16	7/8	7/8	1/2

HTP 20M-115

NSPT Standard

SPCFCTN	TYPE	Z	Dp	De	Df	Dm	DI	F	L	d
34-20M-115F	2F	34	8.522	8.352	97/16	6 1/2	—	5/8	6 5/8	1/4
36-20M-115F	2F	36	9.023	8.853	9 13/16	7	—	5/8	6 5/8	1/4
38-20M-115F	2F	38	9.524	9.354	10 7/16	7 1/8	—	5/8	6 5/8	1/4
40-20M-115F	2F	40	10.026	9.856	10 13/16	8	—	5/8	6 5/8	1/4
44-20M-115F	2F	44	11.028	10.858	11 13/16	8 1/4	—	5/8	6 5/8	1/4
48-20M-115F	2F	48	12.031	11.861	12 13/16	9	—	5/8	6 5/8	1/4
52-20M-115F	2F	52	13.033	12.863	13 3/4	9	—	5/8	6 5/8	1/4
56-20M-115F	2F	56	14.036	13.866	14 3/4	9	—	5/8	6 5/8	1/4
60-20M-115F	3F	60	15.038	14.868	15 15/16	9	12 1/2	5/8	6 5/8	1/2
64-20M-115F	3F	64	16.041	15.871	16 15/16	9	13 1/2	5/8	6 5/8	1/2
68-20M-115F	3F	68	17.044	16.874	17 15/16	9	14 7/16	5/8	6 5/8	1/2
72-20M-115F	5F	72	18.046	17.876	18 7/8	9	17 1/8	5/8	6 5/8	1/2
80-20M-115F	5F	80	20.051	19.881	20 7/8	11	17 1/2	5/8	6 5/8	1/2
90-20M-115F	5F	90	22.558	22.388	23 7/16	11	20	5/8	6 5/8	1/2
112-20M-115	5	112	28.072	27.902	—	11	25 1/2	5/8	6 5/8	1/2
144-20M-115	5	144	36.092	35.922	—	11 13/16	33 1/2	5/8	6 5/8	1 3/4
168-20M-115	5	168	42.108	41.937	—	11 13/16	39 1/2	5/8	6 5/8	1 3/4
192-20M-115	5	192	48.123	47.953	—	11 13/16	45 1/2	5/8	6 5/8	1 7/8
216-20M-115	5	216	54.138	53.968	—	11 13/16	51 1/8	5/8	6 5/8	1 7/8

HTP Timing pulley



HTP 20M-170

NSPT Standard

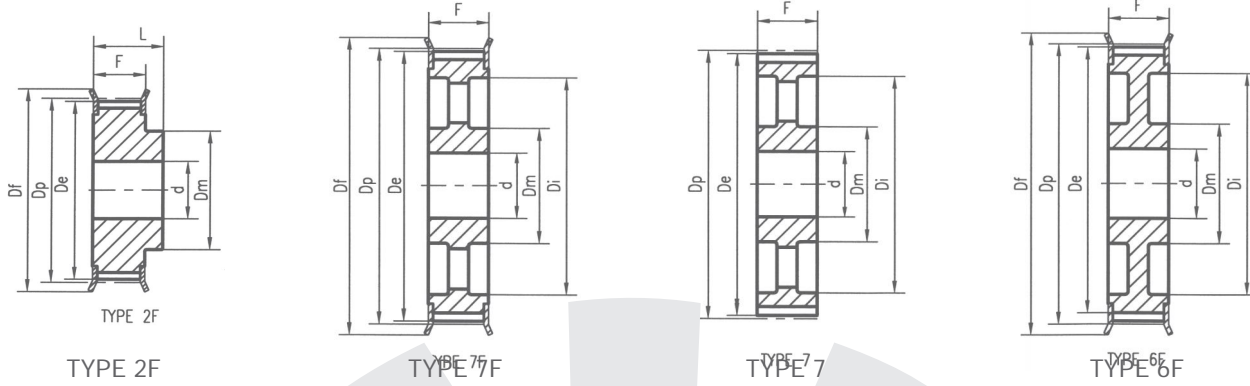
SPCFCTN	TYPE	Z	Dp	De	Df	Dm	DI	F	L	d
34-20M-170F	2F	34	8.522	8.352	97/16	61/2	—	7 1/2	8 3/4	1 1/4
36-20M-170F	2F	36	9.023	8.853	9 13/16	7	—	7 1/2	8 3/4	1 1/4
38-20M-170F	2F	38	9.524	9.354	10 7/16	7 1/8	—	7 1/2	8 3/4	1 1/4
40-20M-170F	2F	40	10.026	9.856	10 13/16	8	—	7 1/2	8 3/4	1 1/4
44-20M-170F	2F	44	11.028	10.858	11 13/16	8 1/4	—	7 1/2	8 3/4	1 1/4
48-20M-170F	2F	48	12.031	11.861	12 13/16	9	—	7 1/2	8 3/4	1 1/4
52-20M-170F	2F	52	13.033	12.863	13 3/4	11	—	7 1/2	8 3/4	1 1/4
56-20M-170F	2F	56	14.036	13.866	14 3/4	11	—	7 1/2	8 3/4	1 1/4
60-20M-170F	2F	60	15.038	14.868	15 15/16	11	—	7 1/2	8 3/4	1 1/2
64-20M-170F	2F	64	16.041	15.871	16 15/16	11	—	7 1/2	8 3/4	1 1/2
68-20M-170F	2F	68	17.044	16.874	17 15/16	11	—	7 1/2	8 3/4	1 1/2
72-20M-170F	7F	72	18.046	17.876	18 7/8	11	17 1/8	7 1/2	7 1/2	1 1/2
80-20M-170F	7F	80	20.051	19.881	20 7/8	11	17 1/2	7 1/2	7 1/2	1 1/2
90-20M-170F	7F	90	22.558	22.388	23 7/16	11	20	7 1/2	7 1/2	1 1/2
112-20M-170	7	112	28.072	27.902	—	11 13/16	25 1/2	7 1/2	7 1/2	1 1/2
144-20M-170	7	144	36.092	35.922	—	11 13/16	33 1/2	7 1/2	7 1/2	1 3/4
168-20M-170	7	168	42.108	41.937	—	13 3/4	39 1/2	7 1/2	7 1/2	1 3/4
192-20M-170	7	192	48.123	47.953	—	13 3/4	45 1/2	7 1/2	7 1/2	1 7/8
216-20M-170	7	216	54.138	53.968	—	13 3/4	51 1/8	7 1/2	7 1/2	1 7/8

HTP 20M-230

NSPT Standard

SPCFCTN	TYPE	Z	Dp	De	Df	Dm	DI	F	L	d
38-20M-230F	2F	38	9.524	9.354	10 7/16	7 1/8	—	9 7/8	11 1/8	1 1/2
40-20M-230F	2F	40	10.026	9.856	10 13/16	8	—	9 7/8	11 1/8	1 1/2
44-20M-230F	2F	44	11.028	10.858	11 13/16	8 1/4	—	9 7/8	11 1/8	1 1/2
48-20M-230F	2F	48	12.031	11.861	12 13/16	9	—	9 7/8	11 1/8	1 1/2
52-20M-230F	2F	52	13.033	12.863	13 3/4	11	—	9 7/8	11 1/8	1 1/2
56-20M-230F	2F	56	14.036	13.866	14 3/4	11	—	9 7/8	11 1/8	1 1/2
60-20M-230F	2F	60	15.038	14.868	15 15/16	11	—	9 7/8	11 1/8	1 1/2
64-20M-230F	2F	64	16.041	15.871	16 15/16	11 13/16	—	9 7/8	11 1/8	1 1/2
68-20M-230F	2F	68	17.044	16.874	17 15/16	11 13/16	—	9 7/8	11 1/8	1 1/2
72-20M-230F	2F	72	18.046	17.876	18 7/8	11 13/16	—	9 7/8	11 1/8	1 1/2
80-20M-230F	6F	80	20.051	19.881	20 7/8	11 13/16	17 1/2	9 7/8	9 7/8	1 1/2
90-20M-230F	7F	90	22.558	22.388	23 7/16	11 13/16	20	9 7/8	9 7/8	1 1/2
112-20M-230	7	112	28.072	27.902	—	11 13/16	25 1/2	9 7/8	9 7/8	1 1/2
144-20M-230	7	144	36.092	35.922	—	13 3/4	33 1/2	9 7/8	9 7/8	1 3/4
168-20M-230	7	168	42.108	41.937	—	13 3/4	39 1/2	9 7/8	9 7/8	1 3/4
192-20M-230	7	192	48.123	47.953	—	15 3/4	45 1/2	9 7/8	9 7/8	1 7/8
216-20M-230	7	216	54.138	53.968	—	15 3/4	51 1/8	9 7/8	9 7/8	1 7/8

HTP Timing pulley



HTP 20M-290

NSPT Standard

SPCFCTN	TYPE	Z	Dp	De	Df	Dm	DI	F	L	d
52-20M-290F	2F	52	13.033	12.863	13 ³ / ₄	11	—	12 ¹ / ₄	13 ¹ / ₂	1 ¹ / ₂
56-20M-290F	2F	56	14.036	13.866	14 ³ / ₄	11	—	12 ¹ / ₄	13 ¹ / ₂	1 ¹ / ₂
60-20M-290F	2F	60	15.038	14.868	15 ¹⁵ / ₁₆	11 ¹³ / ₁₆	—	12 ¹ / ₄	13 ¹ / ₂	1 ¹ / ₂
64-20M-290F	2F	64	16.041	15.871	16 ¹⁵ / ₁₆	11 ¹³ / ₁₆	—	12 ¹ / ₄	13 ¹ / ₂	1 ¹ / ₂
68-20M-290F	2F	68	17.044	16.874	17 ¹⁵ / ₁₆	11 ¹³ / ₁₆	—	12 ¹ / ₄	13 ¹ / ₂	1 ¹ / ₂
72-20M-290F	7F	72	18.046	17.876	18 ⁷ / ₈	11 ¹³ / ₁₆	—	12 ¹ / ₄	13 ¹ / ₂	1 ³ / ₄
80-20M-290F	7F	80	20.051	19.881	20 ⁷ / ₈	11 ¹³ / ₁₆	—	12 ¹ / ₄	13 ¹ / ₂	1 ³ / ₄
90-20M-290F	6F	90	22.558	22.388	23 ⁷ / ₁₆	11 ¹³ / ₁₆	20	12 ¹ / ₄	12 ¹ / ₄	1 ³ / ₄
112-20M-290	7	112	28.072	27.902	—	13 ³ / ₄	25 ¹ / ₂	12 ¹ / ₄	12 ¹ / ₄	1 ⁷ / ₈
144-20M-290	7	144	36.092	35.922	—	13 ³ / ₄	33 ¹ / ₂	12 ¹ / ₄	12 ¹ / ₄	1 ⁷ / ₈
168-20M-290	7	168	42.108	41.937	—	15 ³ / ₄	39 ¹ / ₂	12 ¹ / ₄	12 ¹ / ₄	1 ⁷ / ₈
192-20M-290	7	192	48.123	47.953	—	15 ³ / ₄	45 ¹ / ₂	12 ¹ / ₄	12 ¹ / ₄	1 ⁷ / ₈
216-20M-290	7	216	54.138	53.968	—	15 ³ / ₄	51 ¹ / ₈	12 ¹ / ₄	12 ¹ / ₄	1 ⁷ / ₈

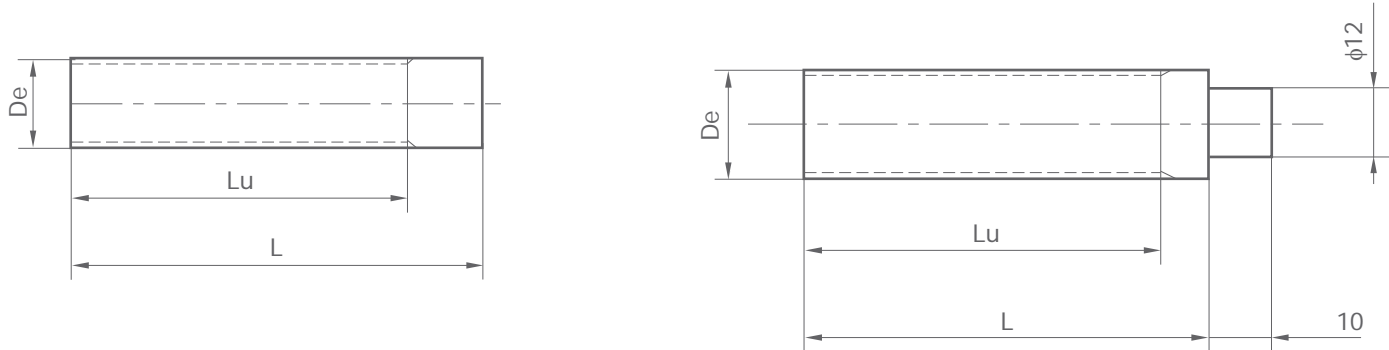
HTP 20M-340

NSPT Standard

SPCFCTN	TYPE	Z	Dp	De	Df	Dm	DI	F	L	d
52-20M-340F	2F	52	13.033	12.863	13 ³ / ₄	11	—	14 ¹ / ₄	15 ¹ / ₂	1 ¹ / ₂
56-20M-340F	2F	56	14.036	13.866	14 ³ / ₄	11	—	14 ¹ / ₄	15 ¹ / ₂	1 ¹ / ₂
60-20M-340F	2F	60	15.038	14.868	15 ¹⁵ / ₁₆	11 ¹³ / ₁₆	—	14 ¹ / ₄	15 ¹ / ₂	1 ¹ / ₂
64-20M-340F	2F	64	16.041	15.871	16 ¹⁵ / ₁₆	11 ¹³ / ₁₆	—	14 ¹ / ₄	15 ¹ / ₂	1 ³ / ₄
68-20M-340F	2F	68	17.044	16.874	17 ¹⁵ / ₁₆	11 ¹³ / ₁₆	—	14 ¹ / ₄	15 ¹ / ₂	1 ³ / ₄
72-20M-340F	2F	72	18.046	17.876	18 ⁷ / ₈	11 ¹³ / ₁₆	—	14 ¹ / ₄	15 ¹ / ₂	1 ³ / ₄
80-20M-340F	2F	80	20.051	19.881	20 ⁷ / ₈	11 ¹³ / ₁₆	—	14 ¹ / ₄	15 ¹ / ₂	1 ³ / ₄
90-20M-340F	6F	90	22.558	22.388	23 ⁷ / ₁₆	13 ³ / ₄	20	14 ¹ / ₄	15 ¹ / ₂	1 ⁷ / ₈
112-20M-340	7	112	28.072	27.902	—	13 ³ / ₄	25 ¹ / ₂	14 ¹ / ₄	14 ¹ / ₄	1 ⁷ / ₈
144-20M-340	7	144	36.092	35.922	—	15 ³ / ₄	33 ¹ / ₂	14 ¹ / ₄	14 ¹ / ₄	1 ⁷ / ₈
168-20M-340	7	168	42.108	41.937	—	15 ³ / ₄	39 ¹ / ₂	14 ¹ / ₄	14 ¹ / ₄	1 ⁷ / ₈
192-20M-340	7	192	48.123	47.953	—	16 ¹⁵ / ₁₆	45 ¹ / ₂	14 ¹ / ₄	14 ¹ / ₄	1 ⁷ / ₈
216-20M-340	7	216	54.138	53.968	—	16 ¹⁵ / ₁₆	51 ¹ / ₈	14 ¹ / ₄	14 ¹ / ₄	1 ⁷ / ₈

HTP Standard toothed bars

NSPT Standard



HTP-3M

SPCFCTN	Z	Dp	De	Lu	L
9-3M	9	0.338	0.308	3	4
10-3M	10	0.376	0.346	3	4
11-3M	11	0.413	0.383	3	4
12-3M	12	0.451	0.421	4	5
13-3M	13	0.489	0.459	4	5
14-3M	14	0.526	0.496	4	5
15-3M	15	0.564	0.534	4	5
16-3M	16	0.602	0.572	5	6
17-3M	17	0.639	0.609	5	6
18-3M	18	0.677	0.647	5	6
19-3M	19	0.714	0.684	5	6
20-3M	20	0.752	0.722	6	6 1/2
21-3M	21	0.789	0.759	6	6 1/2
22-3M	22	0.827	0.797	6	6 1/2
23-3M	23	0.865	0.835	6	6 1/2
24-3M	24	0.902	0.872	6	6 1/2
25-3M	25	0.940	0.910	6	6 1/2
26-3M	26	0.978	0.948	6	6 1/2
27-3M	27	1.015	0.985	6	6 1/2
28-3M	28	1.053	1.023	6	6 1/2
29-3M	29	1.090	1.060	6	6 1/2
30-3M	30	1.124	1.098	7	7 1/2
31-3M	31	1.165	1.135	7	7 1/2
32-3M	32	1.203	1.173	7	7 1/2
33-3M	33	1.242	1.212	7	7 1/2
34-3M	34	1.278	1.248	7	7 1/2
35-3M	35	1.316	1.286	7	7 1/2
36-3M	36	1.353	1.324	8	8
37-3M	37	1.391	1.361	8	8
38-3M	38	1.429	1.399	8	8
39-3M	39	1.466	1.436	8	8
40-3M	40	1.504	1.474	8	8
42-3M	42	1.579	1.549	8	8
44-3M	44	1.654	1.624	8	8
45-3M	45	1.692	1.662	8	8
48-3M	48	1.805	1.775	8	8
50-3M	50	1.880	1.850	8	8
52-3M	52	1.955	1.925	8	8
54-3M	54	2.023	2.000	8	8
56-3M	56	2.106	2.076	8	8
60-3M	60	2.256	2.226	8	8
62-3M	62	2.331	2.301	8	8
64-3M	64	2.406	2.376	8	8
66-3M	66	2.481	2.451	8	8
68-3M	68	2.557	2.527	8	8
70-3M	70	2.632	2.602	8	8
72-3M	72	2.707	2.679	8	8

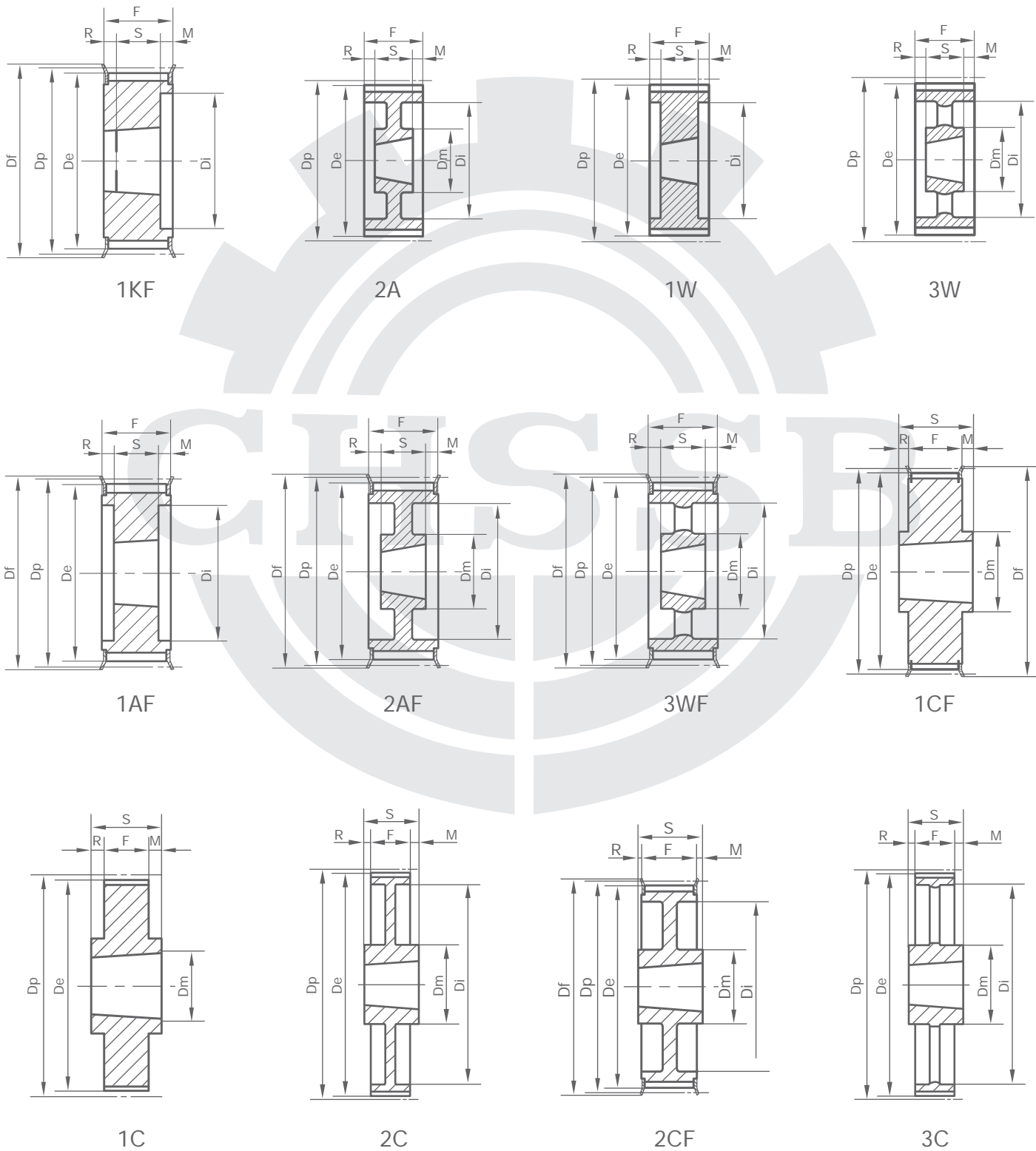
HTP-5M

SPCFCTN	Z	Dp	De	Lu	L
12-5M	12	0.752	0.707	6	6 1/2
13-5M	13	0.815	0.770	6	6 1/2
14-5M	14	0.877	0.832	7	7 1/2
15-5M	15	0.940	0.895	7	7 1/2
16-5M	16	1.002	0.957	7	7 1/2
17-5M	17	1.065	1.020	7	7 1/2
18-5M	18	1.128	1.083	8	8
19-5M	19	1.191	1.146	8	8
20-5M	20	1.253	1.208	8	8
21-5M	21	1.316	1.271	8	8
22-5M	22	1.378	1.333	8	8
23-5M	23	1.441	1.396	8	8
24-5M	24	1.504	1.459	8	8
25-5M	25	1.567	1.522	8	8
26-5M	26	1.629	1.584	8	8
27-5M	27	1.692	1.647	8	8
28-5M	28	1.754	1.709	8	8
29-5M	29	1.817	1.772	8	8
30-5M	30	1.880	1.835	8	8
31-5M	31	1.943	1.898	8	8
32-5M	32	2.005	1.960	8	8
33-5M	33	2.068	2.023	8	8
34-5M	34	2.130	2.085	8	8
35-5M	35	2.193	2.148	8	8
36-5M	36	2.256	2.211	8	8
38-5M	38	2.381	2.336	8	8
40-5M	40	2.506	2.461	8	8
42-5M	42	2.632	2.587	8	8
44-5M	44	2.757	2.712	8	8
45-5M	45	2.820	2.775	8	8
48-5M	48	3.007	2.962	8	8
50-5M	50	3.133	3.088	8	8
54-5M	54	3.383	3.338	8	8
60-5M	60	3.759	3.714	8	8
62-5M	62	3.885	3.840	8	8
72-5M	72	4.511	4.466	8	8

When supplied in small or medium quantities, tooth bars can be made into various finished products upon customers' needs. Meanwhile, NSPT offer flanges used on relevant timing pulleys.

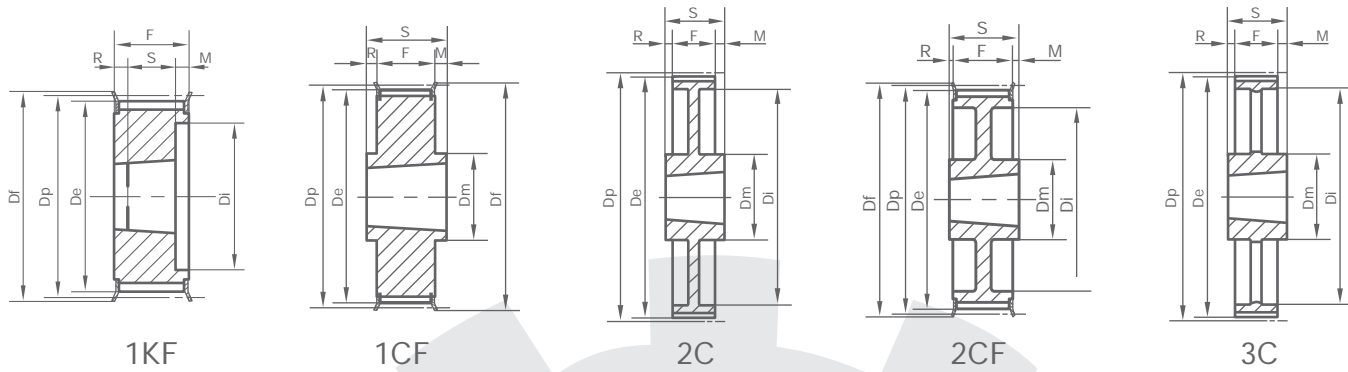
T_B^{aper} HTP *Timing pulley*

BTL



T_B^{aper} **HTP** *Timing pulley*

BTL



HTP 8M-20

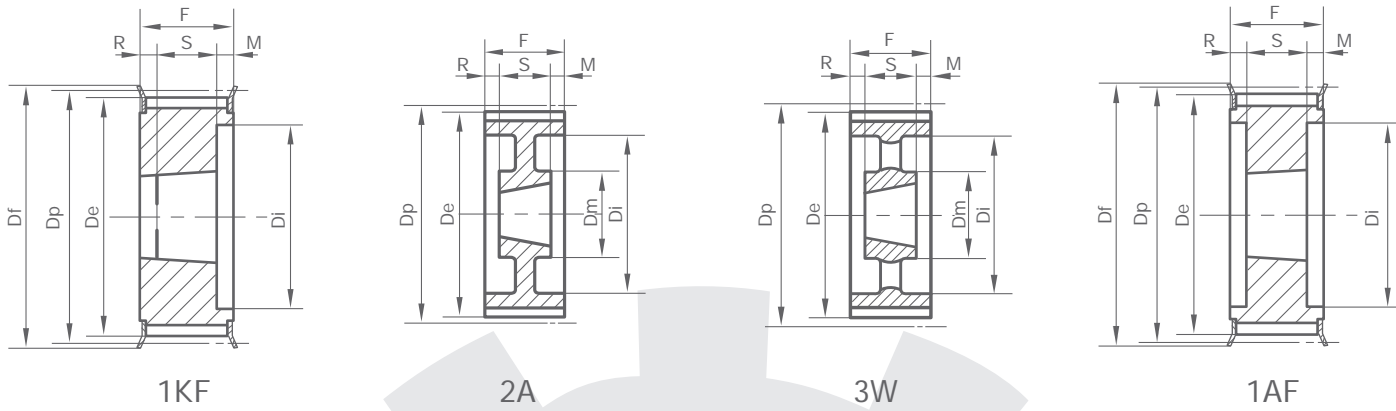
SPCFCTN	TYPE	BUSH	Z	Diameter					Dimension				Max Bore	wt (lbs)
				Dp	De	Df	Dm	Di	R	M	S	F		
TB24-8M20F	1KF	1108	24	2.406	2.352	23/4	—	125/32	1/16	3/16	7/8	11/8	1	0.7
TB26-8M20F	1KF	1108	26	2.607	2.553	215/16	—	131/32	1/16	3/16	7/8	11/8	1	0.9
TB28-8M20F	1KF	1108	28	2.807	2.759	33/16	—	2	1/16	3/16	7/8	11/8	1	1.2
TB30-8M20F	1KF	1210	30	3.008	2.958	311/32	—	—	1/8	—	1	11/8	11/4	1.3
TB32-8M20F	1KF	1210	32	3.208	3.154	39/16	—	—	1/8	—	1	11/8	11/4	1.4
TB34-8M20F	1KF	1610	34	3.409	3.355	33/4	—	—	1/8	—	1	11/8	111/16	1.5
TB36-8M20F	1KF	1610	36	3.609	3.555	315/16	—	—	1/8	—	1	11/8	111/16	1.7
TB38-8M20F	1KF	1610	38	3.810	3.756	43/16	—	—	1/8	—	1	11/8	111/16	2.0
TB40-8M20F	1KF	1610	40	4.010	3.956	411/32	—	—	1/8	—	1	11/8	111/16	2.4
TB44-8M20F	1CF	2012	44	4.411	4.357	43/4	327/32	—	—	1/8	11/4	11/8	21/8	2.6
TB48-8M20F	1CF	2012	48	4.812	4.758	53/16	37/8	—	—	1/8	11/4	11/8	21/8	3.4
TB56-8M20F	1CF	2012	56	5.614	5.560	515/16	37/8	—	—	1/8	11/4	11/8	21/8	5.3
TB64-8M20F	1CF	2012	64	6.416	6.362	63/4	43/8	—	—	1/8	11/4	11/8	21/8	7.5
TB72-8M20F	1CF	2012	72	7.218	7.164	79/16	43/8	—	—	1/8	11/4	11/8	21/8	9.9
TB80-8M20F	2CF	2517	80	8.020	7.966	83/8	47/8	67/8	—	5/8	13/4	11/8	211/16	11.9
TB90-8M20F	2C	2517	90	9.023	8.969	—	47/8	75/8	—	5/8	13/4	11/8	211/16	12.9

HTP 8M-30

SPCFCTN	TYPE	BUSH	Z	Diameter					Dimension				Max Bore	wt (lbs)
				Dp	De	Df	Dm	Di	R	M	S	F		
TB24-8M30F	1KF	1108	24	2.406	2.352	23/4	—	125/32	1/8	1/2	7/8	11/2	1	0.9
TB26-8M30F	1KF	1108	26	2.607	2.553	215/16	—	131/32	1/8	1/2	7/8	11/2	1	1.2
TB28-8M30F	1KF	1108	28	2.807	2.759	33/16	—	2	1/8	1/2	7/8	11/2	1	1.6
TB30-8M30F	1KF	1210	30	3.008	2.958	311/32	—	211/32	1/8	3/8	1	11/2	11/4	1.7
TB32-8M30F	1KF	1210	32	3.208	3.154	39/16	—	29/16	1/8	3/8	1	11/2	11/4	1.9
TB34-8M30F	1KF	1610	34	3.409	3.355	33/4	—	23/4	1/8	3/8	1	11/2	111/16	2.3
TB36-8M30F	1KF	1610	36	3.609	3.555	315/16	—	213/16	1/8	3/8	1	11/2	111/16	2.5
TB38-8M30F	1KF	1610	38	3.810	3.756	43/16	—	3	1/8	3/8	1	11/2	111/16	2.7
TB40-8M30F	1KF	2012	40	4.010	3.956	411/32	—	31/4	—	1/4	11/4	11/2	111/16	2.8
TB44-8M30F	1KF	2012	44	4.411	4.357	43/4	—	31/2	—	1/4	11/4	11/2	21/8	3.4
TB48-8M30F	1KF	2012	48	4.812	4.758	53/16	—	313/16	—	1/4	11/4	11/2	21/8	4.5
TB56-8M30F	1KF	2012	56	5.614	5.560	515/16	—	49/16	—	1/4	11/4	11/2	21/8	7.0
TB64-8M30F	1CF	2517	64	6.416	6.362	63/4	47/8	—	—	1/4	13/4	11/2	21/8	8.9
TB72-8M30F	1CF	2517	72	7.218	7.164	79/16	47/8	—	—	1/4	13/4	11/2	21/8	12.1
TB80-8M30F	2CF	2517	80	8.020	7.966	83/8	47/8	—	—	1/4	13/4	11/2	211/16	15.8
TB90-8M30	2C	2517	90	9.023	8.969	—	47/8	75/8	—	1/4	13/4	11/2	211/16	18.8
TB112-8M30	3C	2517	112	11.229	11.175	—	47/8	97/8	1/8	1/8	13/4	11/2	211/16	23.5
TB144-8M30	3C	2517	144	14.437	14.383	—	47/8	127/8	1/8	1/8	13/4	11/2	211/16	31.6

T_{aper}B_{ore} HTP Timing pulley

BTL

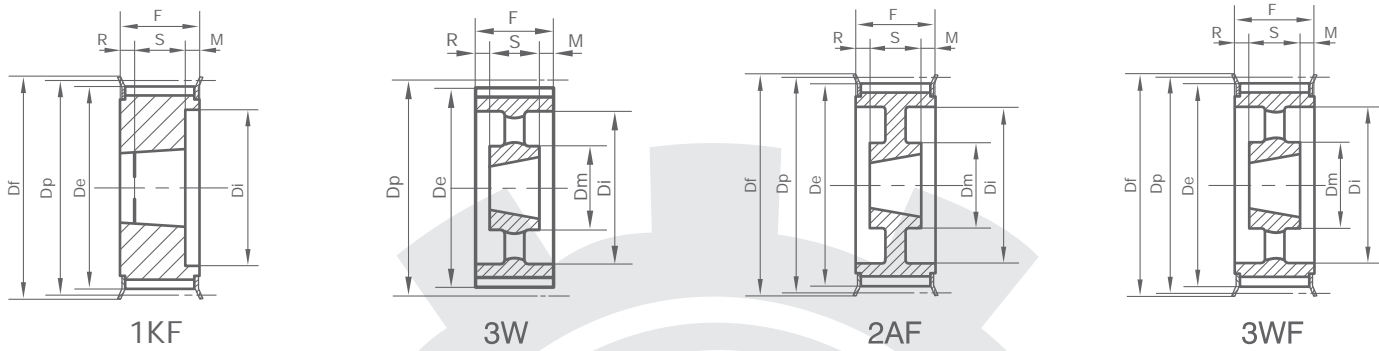


HTP 8M-50

SPCFCTN	TYPE	BUSH	Z	Diameter					Dimension				Max Bore	wt (lbs)
				Dp	De	Df	Dm	Di	R	M	S	F		
TB26-8M50F	1KF	1108	26	2.607	2.553	25/8	—	15/16	—	1 1/2	7/8	23/8	1	2.0
TB28-8M50F	1KF	1108	28	2.807	2.759	33/16	—	2	—	1 1/2	7/8	23/8	1	2.1
TB30-8M50F	1KF	1210	30	3.008	2.958	311/32	—	211/32	—	13/8	1	23/8	1 1/4	2.2
TB32-8M50F	1KF	1210	32	3.208	3.154	39/16	—	29/16	—	13/8	1	23/8	1 1/4	2.3
TB34-8M50F	1KF	1610	34	3.409	3.355	33/4	—	23/4	—	13/8	1	23/8	111/16	2.4
TB36-8M50F	1KF	1610	36	3.609	3.555	315/16	—	213/16	—	13/8	1	23/8	111/16	2.7
TB38-8M50F	1KF	1610	38	3.810	3.756	43/16	—	3	—	13/8	1	23/8	111/16	3.1
TB40-8M50F	1KF	2012	40	4.010	3.956	411/32	—	31/4	—	1 1/8	1 1/4	23/8	2 1/8	3.4
TB44-8M50F	1KF	2012	44	4.411	4.357	43/4	—	3 1/2	—	1 1/8	1 1/4	23/8	2 1/8	4.3
TB48-8M50F	1KF	2012	48	4.812	4.758	53/16	—	313/16	—	1 1/8	1 1/4	23/8	2 1/8	5.5
TB56-8M50F	1KF	2517	56	5.614	5.560	515/16	—	49/16	—	5/8	13/4	23/8	211/16	8.1
TB64-8M50F	1KF	2517	64	6.416	6.362	63/4	—	57/16	—	5/8	13/4	23/8	211/16	11.7
TB72-8M50F	1KF	2517	72	7.218	7.164	79/16	—	63/16	—	5/8	13/4	23/8	211/16	15.7
TB80-8M50F	1KF	2517	80	8.020	7.966	83/8	—	615/16	—	5/8	13/4	23/8	211/16	20.3
TB90-8M50	1W	3020	90	9.023	8.969	—	—	75/8	—	3/8	2	23/8	3 1/4	31.7
TB112-8M50	3W	3020	112	11.229	11.175	—	6 1/4	97/8	—	3/8	2	23/8	3 1/4	34.7
TB144-8M50	3W	3020	144	14.437	14.383	—	7 1/2	127/8	—	3/8	2	23/8	3 1/4	36.0
TB192-8M50	3W	3020	192	19.249	19.195	—	7 1/2	175/8	—	3/8	2	23/8	3 1/4	67.2

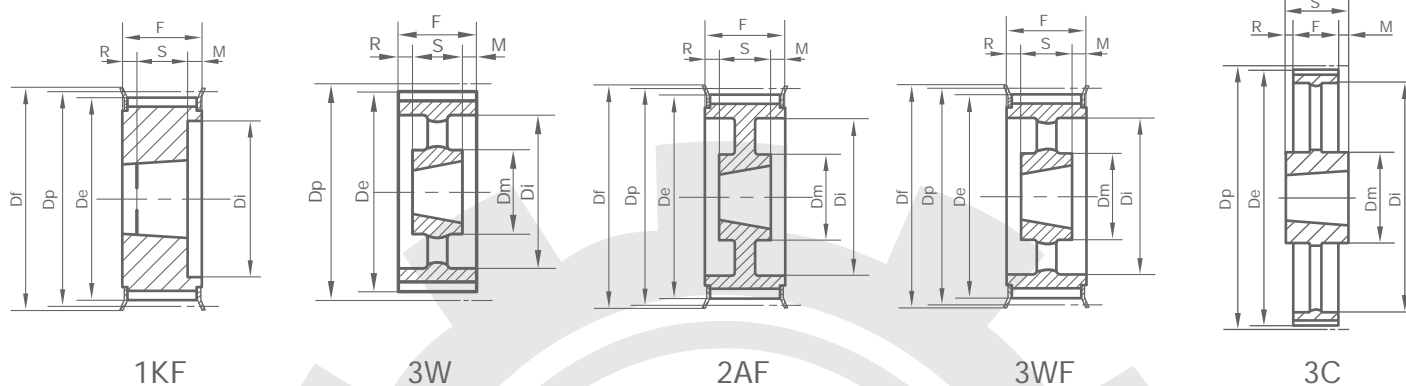
HTP 8M-85

SPCFCTN	TYPE	BUSH	Z	Diameter					Dimension				Max Bore	wt (lbs)
				Dp	De	Df	Dm	Di	R	M	S	F		
TB34-8M85F	1AF	1615	34	3.409	3.355	33/4	—	23/4	3/4	1 1/2	1 1/2	33/4	111/16	3.3
TB36-8M85F	1AF	1615	36	3.609	3.555	315/16	—	213/16	3/4	1 1/2	1 1/2	33/4	111/16	4.2
TB38-8M85F	1AF	1615	38	3.810	3.756	43/16	—	3	3/4	1 1/2	1 1/2	33/4	111/16	4.7
TB40-8M85F	1AF	2012	40	4.010	3.956	411/32	—	31/4	1 1/4	1 1/4	1 1/4	33/4	2 1/8	5.7
TB44-8M85F	1AF	2012	44	4.411	4.357	43/4	—	3 1/2	1 1/4	1 1/4	1 1/4	33/4	2 1/8	6.4
TB48-8M85F	1AF	2012	48	4.812	4.758	53/16	—	313/16	1 1/4	1 1/4	1 1/4	33/4	2 1/8	8.0
TB56-8M85F	1AF	2517	56	5.614	5.560	515/16	—	4 1/2	1	1	13/4	33/4	211/16	10.0
TB64-8M85F	1AF	2517	64	6.416	6.362	63/4	—	57/16	1	1	13/4	33/4	211/16	15.0
TB72-8M85F	1AF	3020	72	7.218	7.164	79/16	—	63/16	7/8	7/8	2	33/4	3 1/4	18.2
TB80-8M85F	1AF	3020	80	8.020	7.966	83/8	—	615/16	7/8	7/8	2	33/4	3 1/4	24.2
TB90-8M85	1W	3020	90	9.023	8.969	—	—	75/8	7/8	7/8	2	33/4	3 1/4	31.9
TB112-8M85	3W	3020	112	11.229	11.175	—	6 1/4	97/8	7/8	7/8	2	33/4	3 1/4	34.6
TB144-8M85	3W	3535	144	14.437	14.383	—	7	127/8	1/8	1/8	3 1/2	33/4	315/16	49.6
TB192-8M85	3W	3535	192	19.249	19.195	—	7	175/8	1/8	1/8	3 1/2	33/4	315/16	81.4



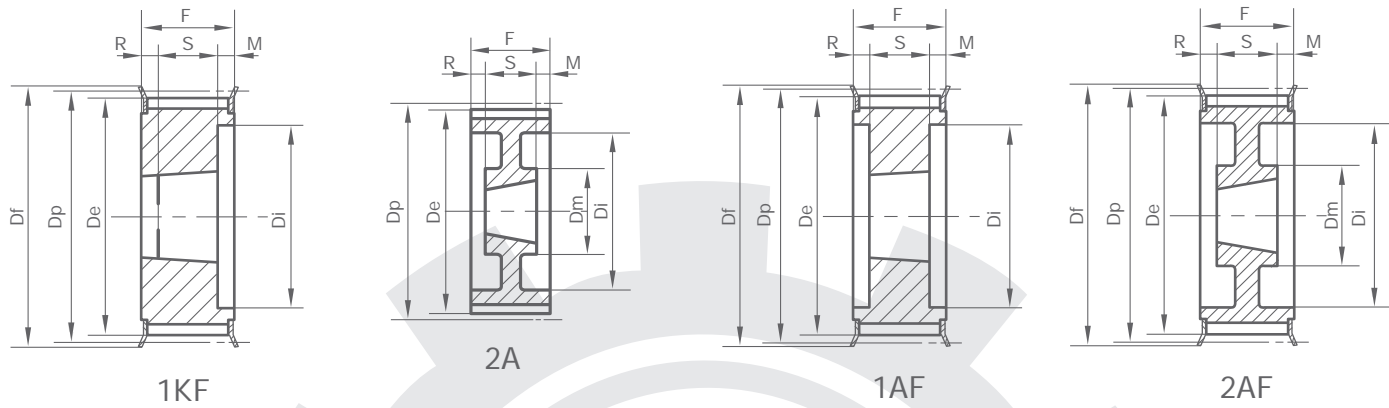
HTP 14M-40

SPCFCTN	TYPE	BUSH	Z	Diameter					Dimension				Max Bore	wt (lbs)
				Dp	De	Df	Dm	Di	R	M	S	F		
B28-14M40F	1KF	2012	28	4.912	4.808	59/16	—	33/8	—	7/8	1 1/4	2 1/8	2 1/8	3.5
B29-14M40F	1KF	2012	29	5.088	4.983	59/16	—	33/8	—	7/8	1 1/4	2 1/8	2 1/8	3.9
B30-14M40F	1KF	2012	30	5.263	5.157	61/8	—	3 15/16	—	7/8	1 1/4	2 1/8	2 1/8	6.4
B32-14M40F	1KF	2012	32	5.614	7	61/8	—	3 15/16	—	7/8	1 1/4	2 1/8	2 1/8	8.0
B34-14M40F	1KF	2012	34	5.965	5.858	6 1/2	—	4 1/16	—	7/8	1 1/4	2 1/8	2 1/8	9.4
B36-14M40F	1KF	2517	36	6.316	6.208	6 13/16	—	4 11/16	—	3/8	1 3/4	2 1/8	2 11/16	10.5
B38-14M40F	1KF	2517	38	6.667	6.559	7 5/32	—	4 13/16	—	3/8	1 3/4	2 1/8	2 11/16	12.2
B40-14M40F	1KF	2517	40	7.018	6.909	7 1/2	—	5 3/16	—	3/8	1 3/4	2 1/8	2 11/16	14.2
B44-14M40F	1KF	2517	44	7.720	7.610	8 7/32	—	6 1/8	—	3/8	1 3/4	2 1/8	2 11/16	17.6
B48-14M40F	1KF	2517	48	8.421	8.311	8 15/16	—	6 1/2	—	3/8	1 3/4	2 1/8	2 11/16	22.0
B52-14M40F	1KF	2517	52	9.123	9.013	9 11/16	—	7 3/16	—	3/8	1 3/4	2 1/8	2 11/16	26.5
B56-14M40F	2AF	2517	56	9.825	9.715	10 3/8	4 7/8	7 7/8	—	3/8	1 3/4	2 1/8	2 11/16	31.5
B60-14M40F	2AF	3020	60	10.527	10.417	11 1/16	6 1/4	8 1/2	—	1/8	2	2 1/8	3 1/4	33.7
B64-14M40F	2AF	3020	64	11.229	11.119	11 3/4	6 1/4	9 1/4	—	1/8	2	2 1/8	3 1/4	36.5
B68-14M40F	2AF	3020	68	11.930	11.820	12 1/2	6 1/4	10	—	1/8	2	2 1/8	3 1/4	39.3
B72-14M40F	2AF	3020	72	12.632	12.522	13 3/16	6 1/4	10 11/16	—	1/8	2	2 1/8	3 1/4	42.6
B80-14M40F	3WF	3020	80	14.036	13.926	14 5/8	6 1/4	12 1/8	—	1/8	2	2 1/8	3 1/4	48.8
B90-14M40	3W	3020	90	15.796	15.680	—	6 1/4	13 9/16	—	1/8	2	2 1/8	3 1/4	54.5
B112-14M40	3W	3020	112	19.650	19.540	—	6 1/4	17 3/8	—	1/8	2	2 1/8	3 1/4	64.9
B144-14M40	3W	3020	144	25.264	25.154	—	6 1/4	23	—	1/8	2	2 1/8	3 1/4	97.4
B168-14M40	3W	3020	168	29.475	29.365	—	6 1/4	27 1/4	1/16	1/16	2	2 1/8	3 1/4	135.6
B192-14M40	3W	3020	192	33.686	33.576	—	6 1/4	31 3/8	1/16	1/16	2	2 1/8	3 1/4	208.5
B216-14M40	3W	3020	216	37.896	37.786	—	7	35 5/8	1/16	1/16	2	2 1/8	3 15/16	281.0



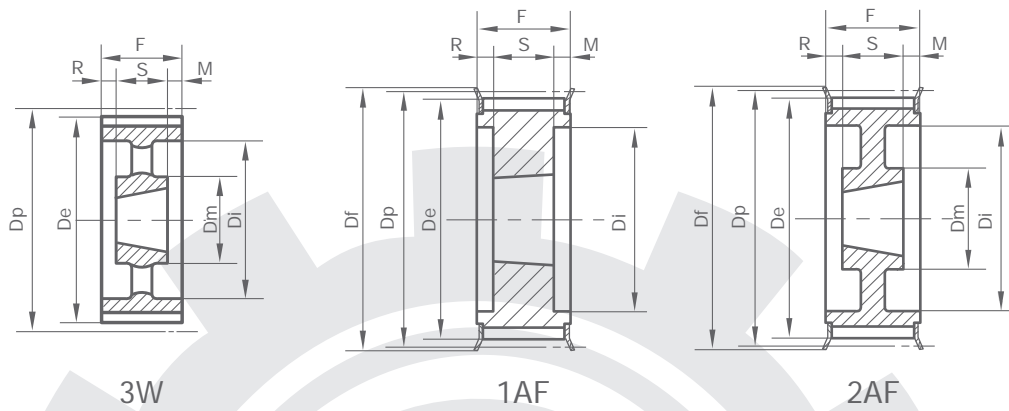
HTP 14M-55

SPCFCTN	TYPE	BUSH	Z	Diameter					Dimension				Max Bore	wt (lbs)
				Dp	De	Df	Dm	Di	R	M	S	F		
TB28-14M55F	1KF	2012	28	4.912	4.808	59/16	—	33/8	—	1 1/2	1 1/4	23/4	21/8	7.4
TB29-14M55F	1KF	2012	29	5.088	4.984	59/16	—	33/8	—	1 1/2	1 1/4	23/4	21/8	8.4
TB30-14M55F	1KF	2517	30	5.263	5.157	61/8	—	315/16	—	1	1 3/4	23/4	211/16	8.6
TB32-14M55F	1KF	2517	32	5.614	5.507	61/8	—	315/16	—	1	1 3/4	23/4	211/16	9.3
TB34-14M55F	1KF	2517	34	5.965	5.858	61/2	—	41/16	—	1	1 3/4	23/4	211/16	11.2
TB36-14M55F	1KF	2517	36	6.316	6.208	613/16	—	411/16	—	1	1 3/4	23/4	211/16	12.4
TB38-14M55F	1KF	2517	38	6.667	6.559	75/32	—	413/16	—	1	1 3/4	23/4	211/16	14.4
TB40-14M55F	1KF	2517	40	7.018	6.908	71/2	—	53/16	—	1	1 3/4	23/4	211/16	16.7
TB44-14M55F	1KF	2517	44	7.720	7.610	87/32	—	61/8	—	1	1 3/4	23/4	211/16	19.9
TB48-14M55F	1KF	3020	48	8.421	8.311	815/16	—	61/2	—	3/4	2	23/4	31/4	29.2
TB52-14M55F	1KF	3020	52	9.123	9.013	911/16	—	73/16	—	3/4	2	23/4	31/4	34.5
TB56-14M55F	1KF	3020	56	9.825	9.715	103/8	—	77/8	—	3/4	2	23/4	31/4	40.1
TB60-14M55F	2AF	3020	60	10.527	10.417	111/16	61/4	81/2	—	3/4	2	23/4	31/4	46.4
TB64-14M55F	2AF	3020	64	11.229	11.119	113/4	61/4	91/4	—	3/4	2	23/4	31/4	52.7
TB68-14M55F	2AF	3020	68	11.930	11.820	121/2	61/4	10	—	3/4	2	23/4	31/4	55.5
TB72-14M55F	2AF	3020	72	12.632	12.522	133/16	61/4	1011/16	—	3/4	2	23/4	31/4	59.5
TB80-14M55F	3WF	3020	80	14.036	13.926	145/8	61/4	121/8	—	3/4	2	23/4	31/4	65.2
TB90-14M55	3W	3020	90	15.790	15.680	—	61/4	139/16	—	3/4	2	23/4	31/4	76.1
TB112-14M55	3W	3020	112	19.650	19.540	—	61/4	173/8	—	3/4	2	23/4	31/4	89.8
TB144-14M55	3W	3020	144	25.364	25.154	—	61/4	23	—	3/4	2	23/4	31/4	104.4
TB168-14M55	3W	3020	168	29.475	29.365	—	61/4	271/4	3/8	3/8	2	23/4	31/4	128.6
TB192-14M55	3C	3535	192	33.686	33.576	—	7	313/8	3/8	3/8	31/2	23/4	315/16	154.2
TB216-14M55	3C	3535	216	37.896	37.786	—	7	355/8	3/8	3/8	31/2	23/4	315/16	160.0



HTP 14M-85

SPCFCTN	TYPE	BUSH	Z	Diameter					Dimension				Max Bore	wt (lbs)
				Dp	De	Df	Dm	Di	R	M	S	F		
TB28-14M85F	1AF	2517	28	4.912	4.802	59/16	—	33/8	11/8	11/8	13/4	4	211/16	8.9
TB29-14M85F	1AF	2517	29	5.088	4.983	59/16	—	33/8	11/8	11/8	13/4	4	211/16	9.4
TB30-14M85F	1AF	2517	30	5.263	5.157	61/8	—	315/16	1/2	13/4	13/4	4	211/16	9.7
TB32-14M85F	1AF	2517	32	5.614	5.507	61/8	—	315/16	7/8	13/8	13/4	4	211/16	12.7
TB34-14M85F	1AF	2517	34	5.965	5.858	61/2	—	41/16	7/8	13/8	13/4	4	211/16	15.3
TB36-14M85F	1AF	2517	36	6.316	6.208	613/16	—	411/16	17/32	115/32	2	4	31/4	19.3
TB38-14M85F	1AF	3020	38	6.667	6.559	75/32	—	413/16	17/32	115/32	2	4	31/4	21.9
TB40-14M85F	1AF	3020	40	7.018	6.908	71/2	—	51/16	17/32	115/32	2	4	31/4	25.1
TB44-14M85F	1AF	3020	44	7.720	7.610	87/32	—	61/8	17/32	115/32	2	4	31/4	28.4
TB48-14M85F	1AF	3020	48	8.421	8.311	815/16	—	61/2	17/32	115/32	2	4	31/4	35.4
TB52-14M85F	1KF	3535	52	9.123	9.013	911/16	—	73/16	—	1/2	31/2	4	315/16	42.9
TB56-14M85F	1KF	3535	56	9.825	9.715	103/8	—	77/8	—	1/2	31/2	4	315/16	52.4
TB60-14M85F	1KF	3535	60	10.527	10.417	111/16	—	81/2	—	1/2	31/2	4	315/16	62.7
TB64-14M85F	1KF	3535	64	11.229	11.119	113/4	—	91/4	—	1/2	31/2	4	315/16	73.6
TB68-14M85F	1KF	3535	68	11.930	11.820	121/2	—	10	—	1/2	31/2	4	315/16	84.2
TB72-14M85F	1KF	3535	72	12.632	12.522	133/16	—	1011/16	—	1/2	31/2	4	315/16	97.4
TB80-14M85F	1KF	3535	80	14.036	13.926	145/8	—	121/8	—	1/2	31/2	4	315/16	108.3
TB90-14M85	2A	3535	90	15.790	15.680	—	7	139/16	—	1/2	31/2	4	315/16	119.2
TB112-14M85	2A	3535	112	19.650	19.540	—	7	173/8	—	1/2	31/2	4	315/16	125.7
TB144-14M85	2A	4040	144	25.364	25.154	—	81/2	23	—	—	4	4	47/16	131.6
TB168-14M85	2A	4040	168	29.475	29.365	—	81/2	271/4	—	—	4	4	47/16	146.1
TB192-14M85	2A	4040	192	33.686	33.576	—	81/2	313/8	—	—	4	4	47/16	161.4
TB216-14M85	2A	4040	216	37.896	37.786	—	81/2	355/8	—	—	4	4	47/16	185.6

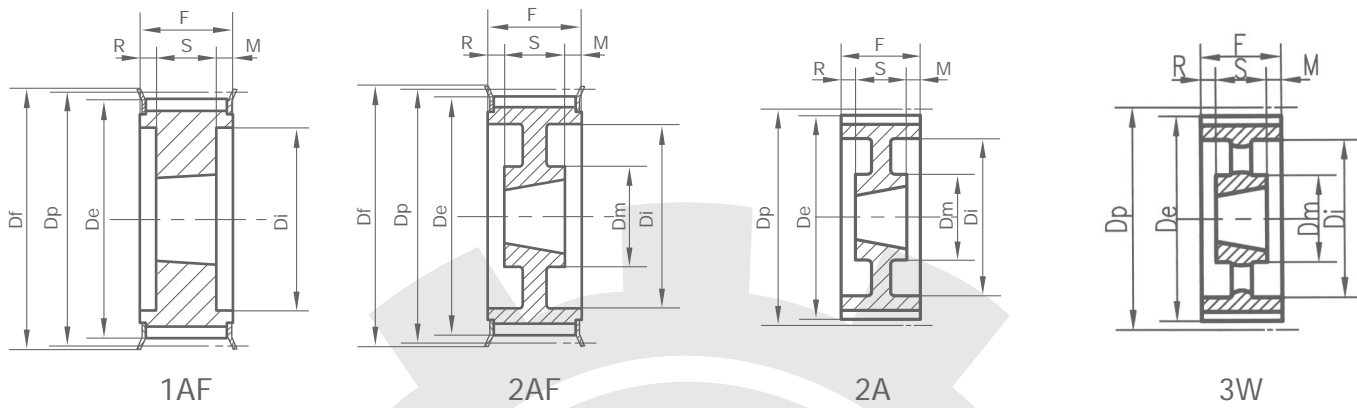


HTP 14M-115

SPCFCTN	TYPE	BUSH	Z	Diameter					Dimension				Max Bore	wt (lbs)
				Dp	De	Df	Dm	Di	R	M	S	F		
TB28-14M115F	1AF	2517	28	4.912	4.802	59/16	—	33/8	13/4	13/4	13/4	51/4	211/16	11.7
TB29-14M115F	1AF	2517	29	5.088	4.983	59/16	—	33/8	13/4	13/4	13/4	51/4	211/16	12.8
TB30-14M115F	1AF	2517	30	5.263	5.157	61/8	—	315/16	13/4	13/4	13/4	51/4	211/16	13.5
TB32-14M115F	1AF	2517	32	5.614	5.507	61/8	—	315/16	13/4	13/4	13/4	51/4	211/16	17.3
TB34-14M115F	1AF	2517	34	5.965	5.858	61/2	—	41/16	13/4	13/4	13/4	51/4	211/16	20.9
TB36-14M115F	1AF	3020	36	6.316	6.208	613/16	—	411/16	15/8	115/32	2	51/4	31/4	21.5
TB38-14M115F	1AF	3020	38	6.667	6.559	75/32	—	413/16	15/8	115/32	2	51/4	31/4	22.8
TB40-14M115F	1AF	3020	40	7.018	6.908	71/2	—	51/16	15/8	115/32	2	51/4	31/4	26.8
TB44-14M115F	1AF	3535	44	7.720	7.610	87/32	—	61/8	5/8	11/8	31/2	51/4	315/16	30.8
TB48-14M115F	1AF	3535	48	8.421	8.311	815/16	—	61/2	5/8	11/8	31/2	51/4	315/16	41.1
TB52-14M115F	1AF	4040	52	9.123	9.013	911/16	—	73/16	5/8	7/8	4	51/4	315/16	46.9
TB56-14M115F	1AF	4040	56	9.825	9.715	103/8	—	77/8	5/8	7/8	4	51/4	47/16	58.3
TB60-14M115F	1AF	4040	60	10.527	10.417	111/16	—	81/2	5/8	7/8	4	51/4	47/16	70.9
TB64-14M115F	1AF	4545	64	11.229	11.119	113/4	—	91/4	3/8	7/8	41/2	51/4	47/16	82.1
TB68-14M115F	1AF	4545	68	11.930	11.820	121/2	—	10	3/8	7/8	41/2	51/4	415/16	97.1
TB72-14M115F	1AF	4545	72	12.632	12.522	133/16	—	1011/16	3/8	7/8	41/2	51/4	415/16	113.3
TB80-14M115F	2AF	4545	80	14.036	13.926	145/8	91/2	121/8	3/8	7/8	41/2	51/4	415/16	118.9
TB90-14M115	2W	4545	90	15.790	15.680	—	91/2	139/16	3/8	7/8	41/2	51/4	415/16	122.5
TB112-14M115	3W	4545	112	19.650	19.540	—	91/2	173/8	3/8	7/8	41/2	51/4	415/16	132.4
TB144-14M115	3W	4545	144	25.364	25.154	—	91/2	23	3/8	5/8	41/2	51/4	415/16	155.0
TB168-14M115	3W	4545	168	29.475	29.365	—	91/2	271/4	3/8	5/8	41/2	51/4	415/16	188.0
TB192-14M115	3W	4545	192	33.686	33.576	—	91/2	313/8	3/8	5/8	41/2	51/4	415/16	318.8
TB216-14M115	3W	5050	216	37.896	37.786	—	151/2	355/8	—	1/4	5	51/4	6	350.3

T_{aper}B_{ore} HTP Timing pulley

BTL



HTP 14M170

SPCFCTN	TYPE	BUSH	Z	Diameter					Dimension				Max Bore	wt (lbs)
				Dp	De	Df	Dm	Di	R	M	S	F		
TB38-14M170F	1AF	3030	38	6.667	6.559	7 ⁹ / ₁₆	—	4 ¹³ / ₁₆	2 ³ / ₁₆	2 ³ / ₁₆	3	7 ³ / ₈	3 ¹ / ₄	32.4
TB40-14M170F	1AF	3030	40	7.018	6.908	7 ⁷ / ₈	—	3 ¹ / ₁₆	2 ³ / ₁₆	2 ³ / ₁₆	3	7 ³ / ₈	3 ¹ / ₄	36.5
TB44-14M170F	1AF	3535	44	7.720	7.610	8 ⁷ / ₃₂	—	6 ¹ / ₈	1 ¹⁵ / ₁₆	1 ¹⁵ / ₁₆	3 ¹ / ₂	7 ³ / ₈	3 ¹⁵ / ₁₆	39.7
TB48-14M170F	1AF	3535	48	8.421	8.311	8 ¹⁵ / ₁₆	—	6 ¹ / ₂	1 ¹⁵ / ₁₆	1 ¹⁵ / ₁₆	3 ¹ / ₂	7 ³ / ₈	3 ¹⁵ / ₁₆	52.8
TB52-14M170F	1AF	4040	52	9.123	9.013	9 ¹¹ / ₁₆	—	7 ³ / ₁₆	1 ¹¹ / ₁₆	1 ¹¹ / ₁₆	4	7 ³ / ₈	4 ⁷ / ₁₆	59.8
TB56-14M170F	1AF	4040	56	9.825	9.715	10 ³ / ₈	—	7 ⁷ / ₈	1 ¹¹ / ₁₆	1 ¹¹ / ₁₆	4	7 ³ / ₈	4 ⁷ / ₁₆	72.4
TB60-14M170F	1AF	4545	60	10.527	10.417	11 ¹ / ₁₆	—	8 ¹ / ₂	1 ⁷ / ₁₆	1 ⁷ / ₁₆	4 ¹ / ₂	7 ³ / ₈	4 ¹⁵ / ₁₆	83.7
TB64-14M170F	1AF	4545	64	11.229	11.119	11 ³ / ₄	—	9 ¹ / ₄	1 ⁷ / ₁₆	1 ⁷ / ₁₆	4 ¹ / ₂	7 ³ / ₈	4 ¹⁵ / ₁₆	98.6
TB68-14M170F	1AF	4545	68	11.930	11.820	12 ¹ / ₂	—	10	1 ⁷ / ₁₆	1 ⁷ / ₁₆	4 ¹ / ₂	7 ³ / ₈	4 ¹⁵ / ₁₆	114.4
TB72-14M170F	1AF	4545	72	12.632	12.522	13 ³ / ₁₆	—	10 ¹¹ / ₁₆	1 ⁷ / ₁₆	1 ⁷ / ₁₆	4 ¹ / ₂	7 ³ / ₈	4 ¹⁵ / ₁₆	131.8
TB80-14M170F	2AF	4545	80	14.036	13.926	14 ⁵ / ₈	9 ¹ / ₂	12 ¹ / ₈	1 ⁷ / ₁₆	1 ⁷ / ₁₆	4 ¹ / ₂	7 ³ / ₈	4 ¹⁵ / ₁₆	129.3
TB90-14M170	2A	4545	90	15.790	15.680	—	9 ¹ / ₂	13 ⁹ / ₁₆	1 ⁷ / ₁₆	1 ⁷ / ₁₆	4 ¹ / ₂	7 ³ / ₈	4 ¹⁵ / ₁₆	136.8
TB112-14M170	3W	5050	112	19.650	19.540	—	15 ¹ / ₂	17 ³ / ₈	1 ³ / ₁₆	1 ³ / ₁₆	5	7 ³ / ₈	4 ¹⁵ / ₁₆	148.0
TB144-14M170	3W	5050	144	25.364	25.154	—	15 ¹ / ₂	23	1 ³ / ₁₆	1 ³ / ₁₆	5	7 ³ / ₈	6	208.0
TB168-14M170	3W	5050	168	29.475	29.365	—	15 ¹ / ₂	27 ¹ / ₄	1 ³ / ₁₆	1 ³ / ₁₆	5	7 ³ / ₈	6	227.0
TB192-14M170	3W	5050	192	33.686	33.576	—	15 ¹ / ₂	31 ³ / ₈	1 ³ / ₁₆	1 ³ / ₁₆	5	7 ³ / ₈	6	340.0
TB216-14M170	3W	5050	216	37.896	37.786	—	15 ¹ / ₂	35 ⁵ / ₈	1 ³ / ₁₆	1 ³ / ₁₆	5	7 ³ / ₈	6	390.0

Bore Range

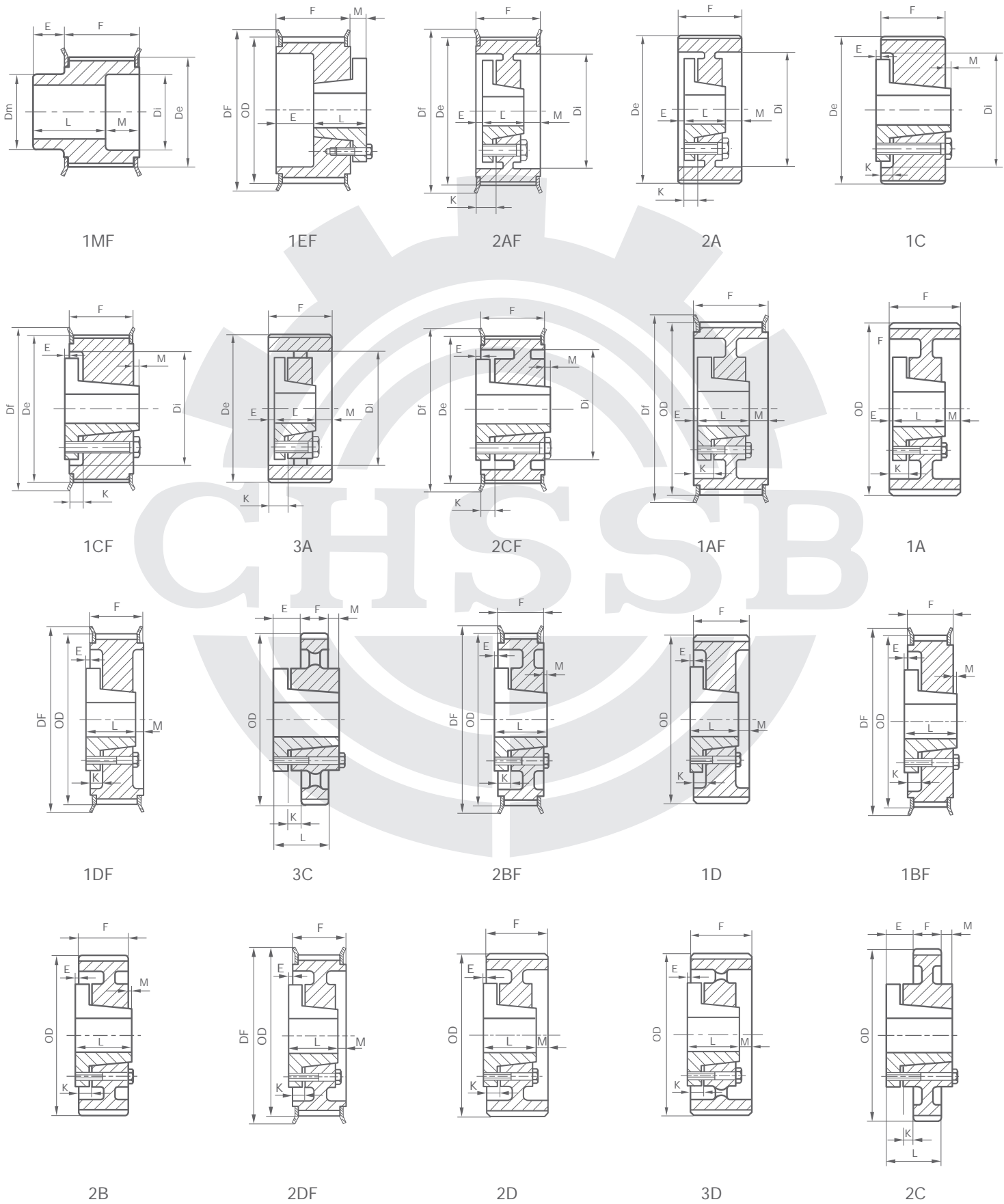
Bushings	Bore Range
1108	1/2-1 1/8
1210 1215	1/2-1 1/4
1610 1615	1/2-1 5/8
2012	1/2-2"
2517	1/2-2 1/2
3020 3030	7/8-3"
3535	1 3/16-3 1/2
4040	1 7/16-4"
4545	1 15/16-4 1/2
5050	4 7/16-6"

Standard Keyseats

Bore Range	Keyseat	Bore Range	Keyseat
1/2-9/16	1/8x1/16	25/16-23/4	5/8x5/16
5/8-7/8	3/16x3/32	2 13/16-3 1/4	3/4x3/8
15/16-1 1/4	1/4x1/8	35/16-3 3/4	7/8x7/16
15/16-1 3/8	5/16x5/32	3 13/16-4 1/2	1x1/2
1 7/16-1 3/4	3/8x3/16	4 9/16-5 1/2	1 1/4x5/8
1 13/16-2 1/4	1/2x1/4	5 9/16-6 1/2	1 1/2x3/4

T_B **HTP** *Timing pulley*

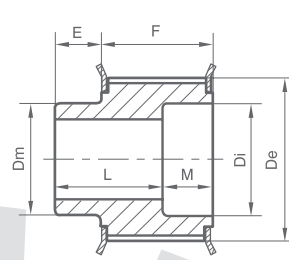
QTL



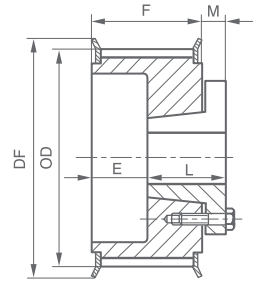
**T_{aper}
B_{ore}** HTP *Timing pulley*



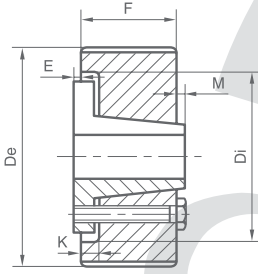
QTL



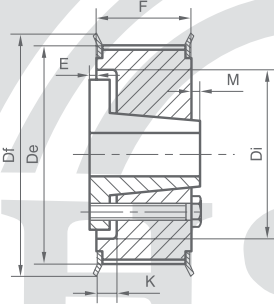
1MF



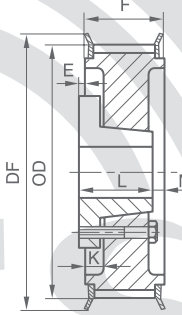
1EF



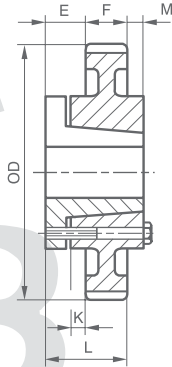
1C



1CF



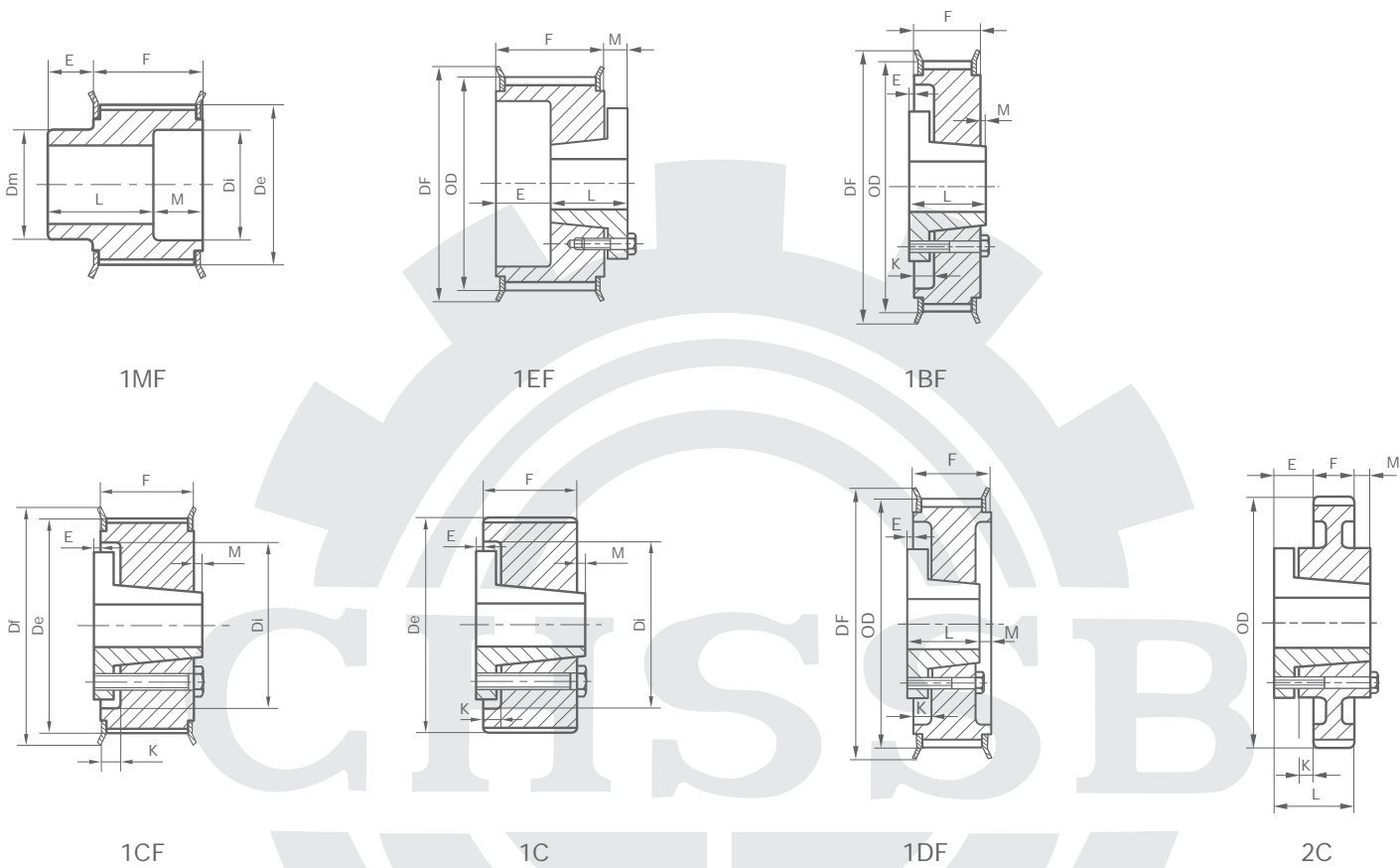
1DF



2C

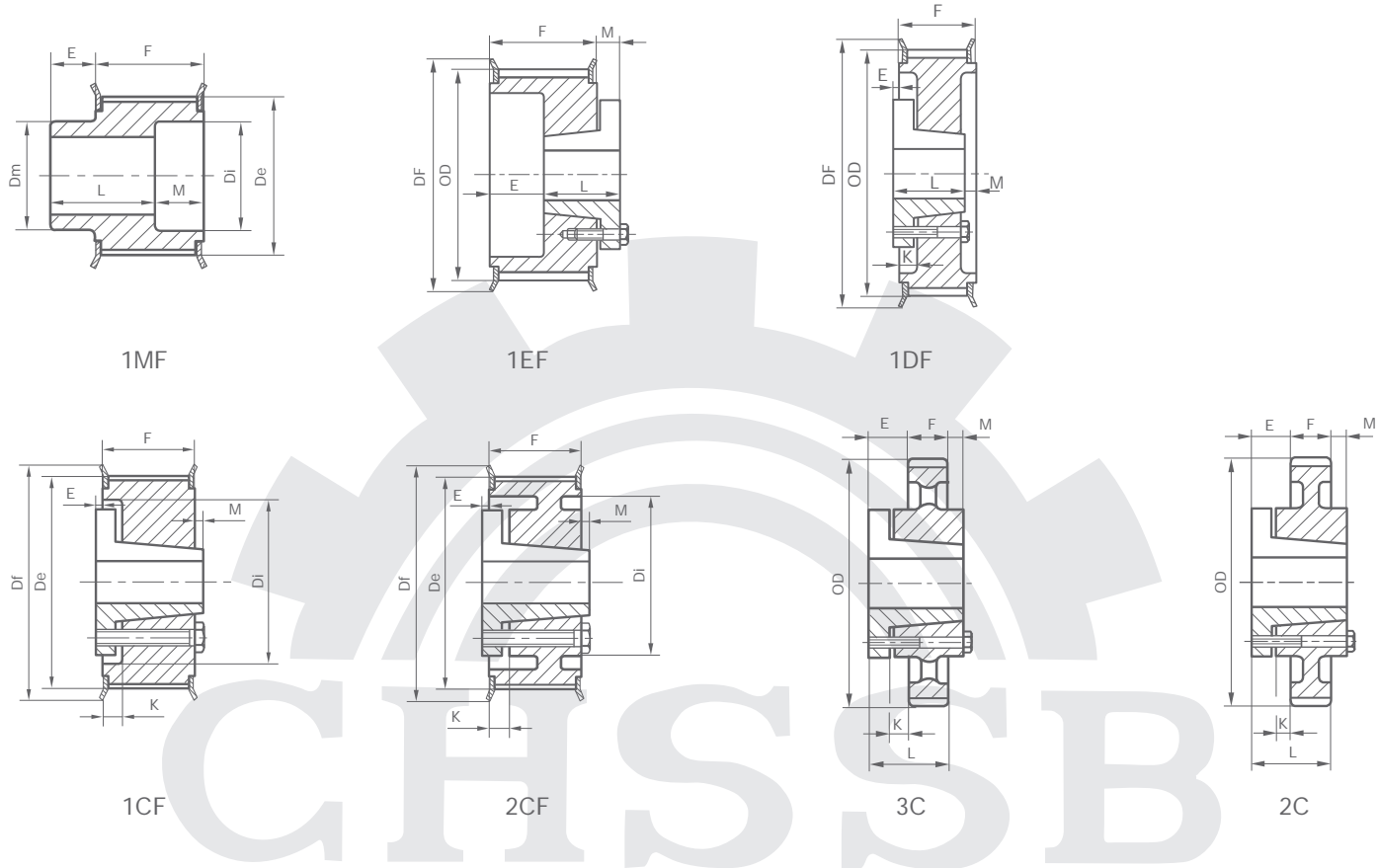
HTP 5M-15

SPCFCTN	TYPE	BUSH	Z	Diameter					Dimension					wt (lbs)
				Dp	De	Df	Dm	Di	E	M	L	F	K	
32-5M15F	1MF	-	32	2.005	1.960	23/16	19/16	—	0.50	—	1.34	0.84	—	0.84
34-5M15F	1MF	-	34	2.130	2.085	29/32	111/16	—	0.50	—	1.34	0.84	—	0.93
36-5M15F	1MF	-	36	2.256	2.211	213/32	113/16	—	0.50	—	1.34	0.84	—	1.03
JA38-5M15F	1EF	JA	38	2.381	2.336	217/32	—	111/32	0.28	0.44	1.00	0.84	—	0.61
JA40-5M15F	1EF	JA	40	2.506	2.461	221/32	—	111/32	0.28	0.44	1.00	0.84	—	0.72
JA44-5M15F	1EF	JA	44	2.757	2.712	229/32	—	111/32	0.28	0.44	1.00	0.84	—	0.95
JA48-5M15F	1CF	JA	48	3.008	2.963	33/16	—	223/64	0.16	—	1.00	0.84	0.28	0.97
JA52-5M15F	1CF	JA	52	3.258	3.213	313/32	—	25/8	0.16	—	1.00	0.84	0.28	1.17
SH56-5M15F	1DF	SH	56	3.509	3.464	321/32	—	—	0.50	0.09	1.25	0.84	—	1.37
SH60-5M15F	1DF	SH	60	3.760	3.715	315/16	—	—	0.50	0.09	1.25	0.84	—	1.68
SH64-5M15F	1DF	SH	64	4.010	3.965	43/16	—	—	0.50	0.09	1.25	0.84	—	1.80
SDS68-5M15F	1CF	SDS	68	4.261	4.216	413/32	—	31/2	0.47	—	1.31	0.84	0.09	2.10
SDS72-5M15F	1CF	SDS	72	4.511	4.466	421/32	—	33/4	0.47	—	1.31	0.84	0.09	2.43
SDS80-5M15	1C	SDS	80	5.013	4.968	—	—	41/4	0.47	—	1.31	0.84	0.09	3.15
SDS90-5M15	1C	SDS	90	5.639	5.594	—	—	47/8	0.47	—	1.31	0.84	0.09	4.17
SDS112-5M15	1C	SDS	112	7.018	6.973	—	3 1/2	6	0.47	—	1.31	0.84	0.09	5.16



HTP 5M-25

SPCFCTN	TYPE	BUSH	Z	Diameter					Dimension					wt (lbs)
				Dp	De	Df	Dm	Di	E	M	L	F	K	
32-5M25F	1MF	—	32	2.005	1.960	23/16	19/16	—	0.50	—	1.73	1.23	—	1.12
34-5M25F	1MF	—	34	2.130	2.085	29/32	111/16	—	0.50	—	1.73	1.23	—	1.25
36-5M25F	1MF	—	36	2.256	2.211	213/32	113/16	—	0.50	—	1.73	1.23	—	1.39
JA38-5M25F	1EF	JA	38	2.381	2.336	217/32	—	111/32	0.67	0.44	1.00	1.23	—	0.80
JA40-5M25F	1EF	JA	40	2.506	2.461	221/32	—	111/32	0.67	0.44	1.00	1.23	—	1.06
JA44-5M25F	1EF	JA	44	2.757	2.712	229/32	—	111/32	0.67	0.44	1.00	1.23	—	1.40
JA48-5M25F	1BF	JA	48	3.008	2.963	33/16	—	223/64	0.23	—	1.00	1.23	0.67	1.20
JA52-5M25F	1BF	JA	52	3.258	3.213	313/32	—	25/8	0.23	—	1.00	1.23	0.67	1.43
SH56-5M25F	1DF	SH	56	3.509	3.464	321/32	—	213/16	0.08	0.06	1.25	1.23	0.42	1.64
SH60-5M25F	1DF	SH	60	3.760	3.715	315/16	—	31/8	0.08	0.06	1.25	1.23	0.42	1.83
SH64-5M25F	1DF	SH	64	4.010	3.965	43/16	—	33/8	0.08	0.06	1.25	1.23	0.42	2.16
SDS68-5M25F	1CF	SDS	68	4.261	4.216	413/32	—	31/2	0.08	—	1.31	1.23	0.48	2.48
SDS72-5M25F	1CF	SDS	72	4.511	4.466	421/32	—	33/4	0.08	—	1.31	1.23	0.48	2.84
SDS80-5M25	1C	SDS	80	5.013	4.968	—	—	41/4	0.08	—	1.31	1.23	0.48	3.61
SDS90-5M25	1C	SDS	90	5.639	5.594	—	—	47/8	0.08	—	1.31	1.23	0.48	4.69
SDS112-5M25	2C	SDS	112	7.018	6.973	—	31/2	6	0.08	—	1.31	1.23	0.48	6.02

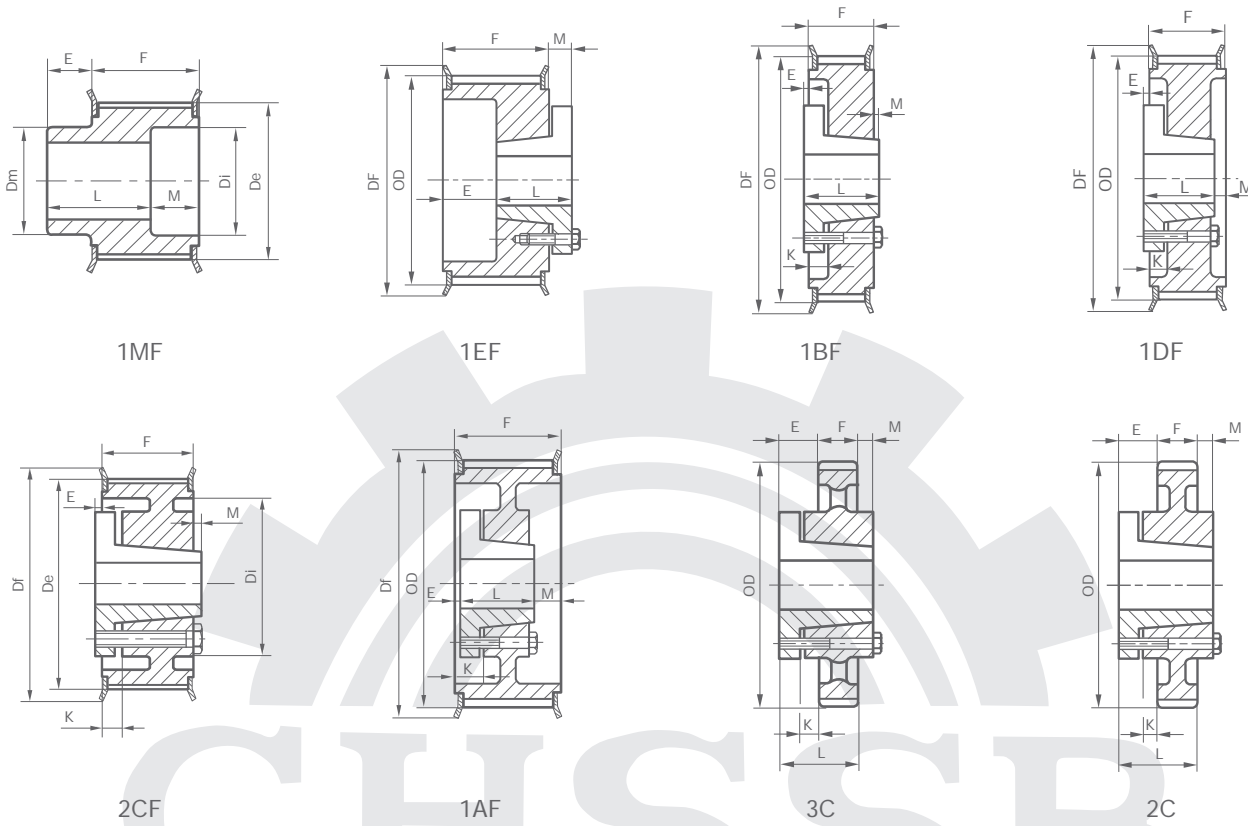


HTP 8M-20

SPCFCTN	TYPE	BUSH	Z	Diameter					Dimension					wt (lbs)
				Dp	De	Df	Dm	Di	E	M	L	F	K	
20-8M20F	1MF	—	20	2.005	1.951	23/8	13/8	—	5/8	—	13/4	11/8	—	0.90
21-8M20F	1MF	—	21	2.105	2.051	27/16	11/2	—	5/8	—	13/4	11/8	—	1.00
22-8M20F	1MF	—	22	2.206	2.152	29/16	15/8	—	5/8	—	13/4	11/8	—	1.60
JA24-8M20F	1EF	JA	24	2.406	2.352	23/4	—	111/32	9/16	7/16	11/16	11/8	—	1.50
JA26-8M20F	1EF	JA	26	2.607	2.553	215/16	—	111/32	9/16	7/16	11/16	11/8	—	1.80
H28-8M20F	1EF	H	28	2.807	2.753	35/32	—	19/16	1/4	3/8	11/4	11/8	—	1.85
H30-8M20F	1EF	H	30	3.008	2.954	311/32	—	19/16	1/4	3/8	11/4	11/8	—	1.90
H32-8M20F	1CF	H	32	3.208	3.154	39/16	—	29/16	1/8	—	11/4	11/8	1/4	2.00
SH34-8M20F	1DF	SH	34	3.409	3.355	33/4	—	23/4	3/16	1/16	11/4	11/8	5/16	2.20
SH36-8M20F	1DF	SH	36	3.609	3.555	315/16	—	213/16	3/16	1/16	11/4	11/8	5/16	2.50
SH38-8M20F	1DF	SH	38	3.810	3.756	45/32	—	3	3/16	1/16	11/4	11/8	5/16	2.80
SH40-8M20F	1DF	SH	40	4.010	3.956	411/32	—	3	3/16	1/16	11/4	11/8	5/16	3.40
SDS44-8M20F	1CF	SDS	44	4.411	4.357	43/4	—	31/2	3/16	—	15/16	11/8	3/8	3.20
SDS48-8M20F	1CF	SDS	48	4.812	4.758	53/16	—	313/16	3/16	—	15/16	11/8	3/8	3.40
SDS56-8M20F	1CF	SDS	56	5.614	5.560	515/16	—	49/16	3/16	—	15/16	11/8	3/8	4.50
SDS64-8M20F	1CF	SDS	64	6.416	6.362	63/4	—	53/8	3/16	—	15/16	11/8	3/8	—
SDS72-8M20F	1CF	SDS	72	7.218	7.164	79/16	—	63/16	3/16	—	15/16	11/8	3/8	6.00
SDS80-8M20F	2CF	SDS	80	8.020	7.966	83/8	31/2	67/8	3/16	—	15/16	11/8	3/8	6.50
SDS90-8M20	2D	SDS	90	9.023	8.969	—	31/2	75/8	3/16	—	15/16	11/8	3/8	7.00
SK112-8M20	3C	SK	112	11.229	11.175	—	43/8	97/8	3/4	1/16	15/16	11/8	1/16	10.50
SF144-8M20	3C	SF	144	14.447	14.383	—	5	127/8	3/4	1/16	21/16	11/8	1/16	14.50

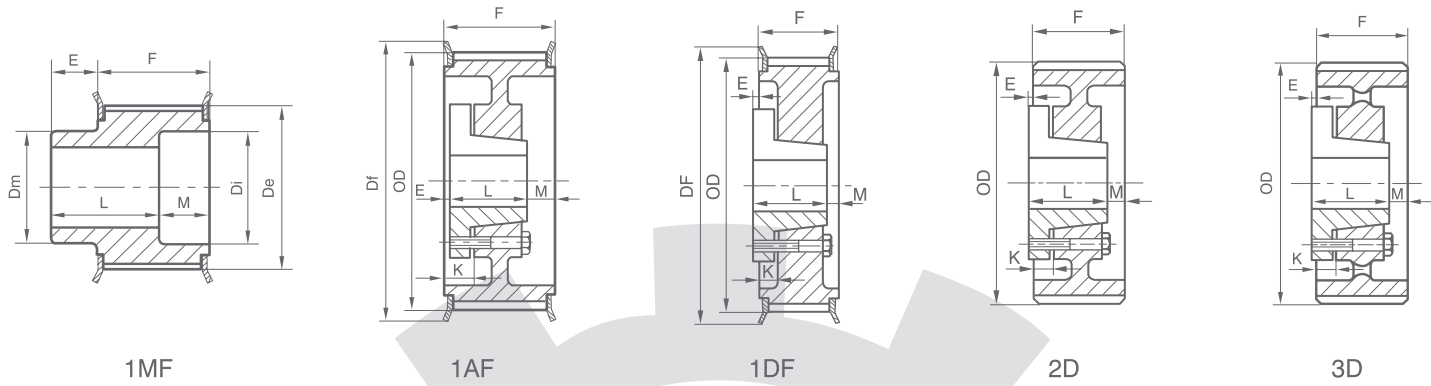
**T_{aper}
B_{ore}** HTP *Timing pulley*

QTL



HTP 8M-30

SPCFCTN	TYPE	BUSH	Z	Diameter					Dimension					wt (lbs)
				Dp	De	Df	Dm	Di	E	M	L	F	K	
20-8M30F	1MF	—	20	2.005	1.951	23/8	13/8	—	5/8	—	21/8	11/2	—	1.1
21-8M30F	1MF	—	21	2.105	2.051	27/16	11/2	—	5/8	—	21/8	11/2	—	1.3
22-8M30F	1MF	—	22	2.206	2.152	29/16	15/8	—	5/8	—	21/8	11/2	—	1.4
24-8M30F	1MF	—	24	2.406	2.352	23/4	113/16	—	5/8	—	21/8	11/2	—	1.8
26-8M30F	1MF	—	26	2.607	2.553	215/16	2	—	5/8	—	21/8	11/2	—	2.2
H28-8M30F	1EF	H	28	2.807	2.753	35/32	—	19/16	5/8	3/8	11/4	11/2	—	1.7
H30-8M30F	1EF	H	30	3.008	2.954	311/32	—	19/16	5/8	3/8	11/4	11/2	—	1.9
H32-8M30F	1BF	H	32	3.208	3.154	39/16	—	29/16	1/4	—	11/4	11/2	5/8	2.1
SH34-8M30F	1AF	SH	34	3.409	3.355	33/4	—	23/4	3/16	1/16	11/4	11/2	11/16	2.4
SH36-8M30F	1AF	SH	36	3.609	3.555	315/16	—	213/16	3/16	1/16	11/4	11/2	11/16	2.8
SH38-8M30F	1AF	SH	38	3.810	3.756	45/32	—	3	3/16	1/16	11/4	11/2	11/16	3.2
SH40-8M30F	1AF	SH	40	4.010	3.956	411/32	—	3	3/16	1/16	11/4	11/2	11/16	3.6
SDS44-8M30F	1BF	SDS	44	4.411	4.357	43/4	—	31/2	3/16	—	15/16	11/2	3/4	3.8
SDS48-8M30F	1BF	SDS	48	4.812	4.758	53/16	—	313/16	3/16	—	15/16	11/2	3/4	4.2
SDS56-8M30F	1BF	SDS	56	5.614	5.560	515/16	—	49/16	3/16	—	15/16	11/2	3/4	4.8
SK64-8M30F	1CF	SK	64	6.416	6.362	63/4	—	53/8	3/8	—	17/8	11/2	1/4	6.1
SK72-8M30F	1CF	SK	72	7.218	7.164	79/16	—	63/16	3/8	—	17/8	11/2	1/4	6.8
SK80-8M30F	2CF	SK	80	8.020	7.966	83/8	43/8	67/8	3/8	—	17/8	11/2	1/4	7.5
SK90-8M30	2D	SK	90	9.023	8.969	—	43/8	75/8	3/8	—	17/8	11/2	1/4	11.0
SK112-8M30	3D	SK	112	11.229	11.175	—	43/8	97/8	3/8	—	17/8	11/2	1/4	13.0
SF144-8M30	3D	SF	144	14.447	14.383	—	5	127/8	9/16	—	21/16	11/2	1/4	25.5
E192-8M30	3C	E	192	19.249	19.195	—	61/4	175/8	15/16	1/16	25/8	11/2	1/16	30.0



HTP 8M-50

SPCFCTN	TYPE	BUSH	Z	Diameter					Dimension					wt (lbs)
				Dp	De	Df	Dm	Di	E	M	L	F	K	
28-8M50F	1MF	—	28	2.807	2.753	33/16	29/16	—	3/4	—	31/8	23/8	—	4.2
30-8M50F	1MF	—	30	3.008	2.954	35/16	215/32	—	3/4	—	31/8	23/8	—	4.9
32-8M50F	1MF	—	32	3.208	3.154	39/16	219/32	—	3/4	—	31/8	23/8	—	5.4
H32-8M50F	1AF	H	32	3.208	3.154	39/16	—	29/16	1/2	5/8	11/4	23/8	3/4	2.9
SH34-8M50F	1AF	SH	34	3.409	3.355	33/4	—	23/4	—	11/8	11/4	23/8	1/2	3.2
SH36-8M50F	1AF	SH	36	3.609	3.555	315/16	—	213/16	—	11/8	11/4	23/8	1/2	3.8
SH38-8M50F	1AF	SH	38	3.810	3.756	43/16	—	3	—	11/8	11/4	23/8	1/2	4.2
SH40--8M50F	1AF	SH	40	4.010	3.956	45/16	—	3	—	11/8	11/4	23/8	1/2	4.6
SD44-8M50F	1AF	SD	44	4.411	4.357	43/4	—	31/2	—	9/16	113/16	23/8	9/16	5.2
SD48-8M50F	1AF	SD	48	4.812	4.758	53/16	—	313/16	—	9/16	113/16	23/8	9/16	6.0
SK56-8M50F	1DF	SK	56	5.614	5.560	515/16	—	49/16	1/16	9/16	17/8	23/8	9/16	7.0
SK64-8M50F	1DF	SK	64	6.416	6.362	63/4	—	53/8	1/16	9/16	17/8	23/8	9/16	10.3
SK72-8M50F	1DF	SK	72	7.218	7.164	79/16	—	63/16	1/16	9/16	17/8	23/8	9/16	13.3
SF80-8M50F	1DF	SF	80	8.020	7.966	85/16	—	67/8	1/16	7/16	2	23/8	9/16	15.7
SF90-8M50	2D	SF	90	9.023	8.969	—	5	75/8	1/16	7/16	2	23/8	9/16	16.0
SF112-8M50	3D	SF	112	11.229	11.175	—	5	97/8	1/16	7/16	2	23/8	9/16	21.0
E144-8M50	3D	E	144	14.437	14.383	—	61/4	127/8	1/2	2	25/8	23/8	3/8	35.0
E192-8M50	3D	E	192	19.249	19.195	—	61/4	175/8	1/2	2	25/8	23/8	3/8	45.0

Bore Range

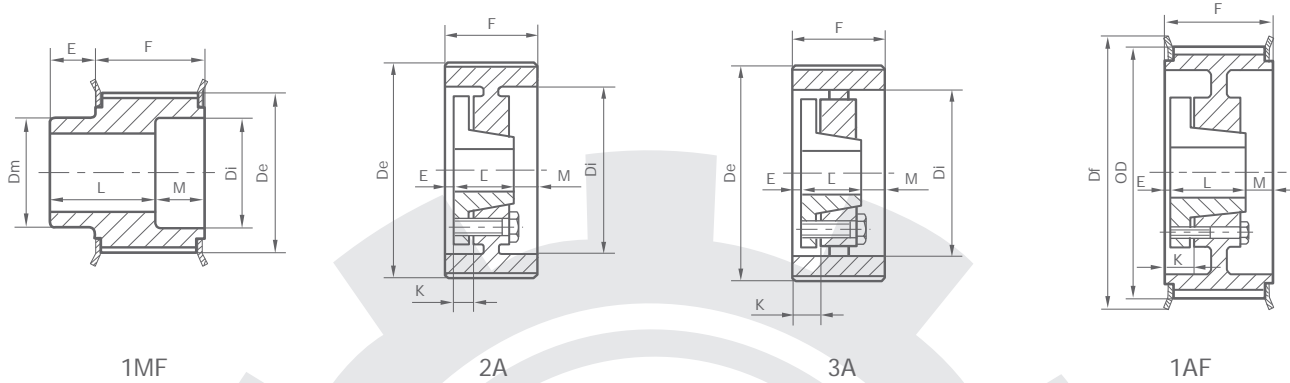
QTL BUSHINGS	Bore	
	Min	Max
JA	1/2	11/4
SH	1/2	15/16
SD	1/2	2
SK	1/2	25/8
SF	1/2	215/16
E	7/8	31/2



Standard Keyseats

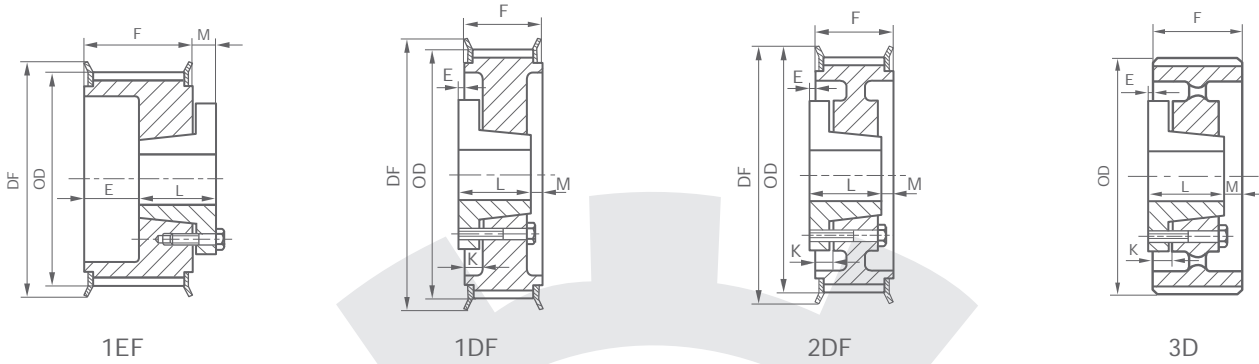
Bore Range	Keyseat
15/16"-11/4"	1/4"x1/8"
15/16"-13/8	5/16x5/32
17/16"-13/4	3/8x3/16
113/16"-21/4	1/2x1/4
25/16"-23/4	5/8x5/16
213/16"-31/4	3/4x3/8
33/8"-33/4	7/8x7/16

1 3/8" Bore Bushings also available with 3/8"x3/16" Keyseat.



HTP 8M-85

SPCFCTN	TYPE	BUSH	Z	Diameter					Dimension					wt (lbs)
				Dp	De	Df	Dm	Di	E	M	L	F	K	
34-8M85F	1MF	—	34	3.409	3.355	39/16	251/64	—	3/4	—	41/2	33/4	—	10.0
36-8M85F	1MF	—	36	3.609	3.555	313/16	3	—	3/4	—	41/2	33/4	—	11.3
38-8M85F	1MF	—	38	3.810	3.756	4	33/16	—	3/4	—	41/2	33/4	—	12.6
40-8M85F	1MF	—	40	4.010	3.956	43/32	313/32	—	3/4	—	41/2	33/4	—	14/9
44-8M85F	1MF	—	44	4.411	4.357	43/4	351/64	—	3/4	—	41/2	33/4	—	17.2
48-8M85F	1MF	—	48	4.812	4.758	5	43/16	—	3/4	—	41/2	33/4	—	20.6
56-8M85F	1MF	—	56	5.614	5.560	515/16	5	—	3/4	—	41/2	33/4	—	28.0
SH34-8M85F	1AF	SH	34	3.409	3.355	313/16	—	23/4	1	11/2	11/4	33/4	11/2	4.6
SH36-8M85F	1AF	SH	36	3.609	3.555	315/16	—	213/16	1	11/2	11/4	33/4	11/2	5.2
SH38-8M85F	1AF	SH	38	3.810	3.756	43/16	—	3	1	11/2	11/4	33/4	11/2	5.8
SD40-8M85F	1AF	SD	40	4.010	3.956	45/16	—	31/4	11/16	11/4	113/16	33/4	11/4	6.2
SD44-8M85F	1AF	SD	44	4.411	4.357	43/4	—	31/2	11/16	11/4	113/16	33/4	11/4	6.6
SD48-8M85F	1AF	SD	48	4.812	4.758	53/16	—	313/16	11/16	11/4	113/16	33/4	11/4	7.8
SK56-8M85F	1AF	SK	56	5.614	5.560	515/16	—	45/8	5/8	11/4	17/8	33/4	11/4	9.8
SK64-8M85F	1AF	SK	64	6.416	6.362	63/4	—	53/8	5/8	11/4	17/8	33/4	11/4	13.0
SF72-8M85F	1AF	SF	72	7.218	7.164	79/16	—	63/16	5/8	11/8	2	33/4	11/4	16.0
SF80-8M85F	1AF	SF	80	8.020	7.966	83/8	—	67/8	5/8	11/8	2	33/4	11/4	16.0
SF90-8M85	2A	SF	90	9.023	8.969	—	5	75/8	5/8	11/8	2	33/4	11/4	20.0
SF112-8M85	3A	SF	112	11.229	11.175	—	5	97/8	5/8	11/8	2	33/4	11/4	28.0
E144-8M85	3A	E	144	14.447	14.383	—	61/4	127/8	3/16	15/16	25/8	33/4	11/16	64.5
E192-8M85	3A	E	192	19.249	19.195	—	61/4	175/8	3/16	15/16	25/8	33/4	11/16	78.1



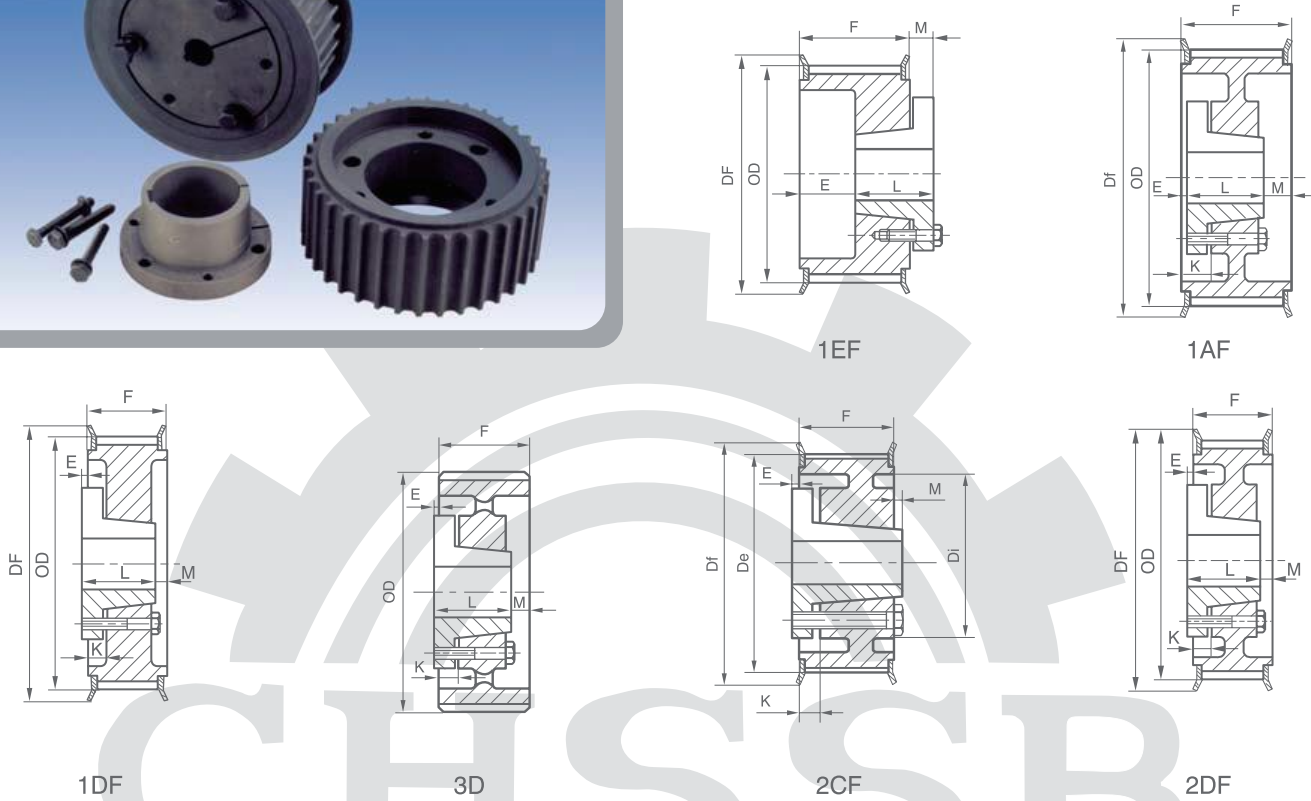
HTP 14M-40

SPCFCTN	TYPE	BUSH	Z	Diameter					Dimension					wt (lbs)
				Dp	De	Df	Dm	Di	E	M	L	F	K	
SK28-14M40F	1EF	SK	28	4.912	4.808	59/16	—	31/8	7/8	5/8	17/8	21/8	—	5.5
SK29-14M40F	1EF	SK	29	5.088	4.983	59/16	—	31/8	7/8	5/8	17/8	21/8	—	6.5
SK30-14M40F	1DF	SK	30	5.263	5.153	61/8	—	315/16	3/16	7/16	17/8	21/8	7/16	7.0
SK32-14M40F	1DF	SK	32	5.614	5.504	61/8	—	315/16	3/16	7/16	17/8	21/8	7/16	8.0
SK34-14M40F	1DF	SK	34	5.965	5.858	61/2	—	41/16	3/16	7/16	17/8	21/8	7/16	8.5
SF36-14M40F	1DF	SF	36	6.316	6.206	613/16	—	411/16	3/16	5/16	2	21/8	7/16	9.5
SF38-14M40F	1DF	SF	38	6.667	6.557	73/16	—	415/16	3/16	5/16	2	21/8	7/16	11.5
SF40-14M40F	1DF	SF	40	7.018	6.909	71/2	—	51/16	3/16	5/16	2	21/8	7/16	13.0
E44-14M40F	1DF	E	44	7.720	7.610	87/32	—	61/8	5/8	1/8	25/8	21/8	1/4	16.5
E48-14M40F	1DF	E	48	8.421	8.311	87/8	—	61/2	5/8	1/8	25/8	21/8	1/4	20.0
E52-14M40E	1DF	E	52	9.123	9.013	911/16	—	73/16	5/8	1/8	25/8	21/8	1/4	24.0
E56-14M40F	1DF	E	56	9.825	9.715	103/8	—	77/8	5/8	7/8	25/8	21/8	1/4	28.0
E60-14M40F	1DF	E	60	10.527	10.417	111/16	—	81/2	5/8	1/8	25/8	21/8	1/4	29.0
E64-14M40F	2DF	E	64	11.229	11.119	113/4	61/4	91/4	5/8	1/8	25/8	21/8	1/4	31.0
E68-14M40F	2DF	E	68	11.930	11.820	121/2	61/4	10	5/8	1/8	25/8	21/8	1/4	32.0
E72-14M40F	2DF	E	72	12.632	12.522	133/16	61/4	1011/16	5/8	1/8	25/8	21/8	1/4	33.0
E80-14M40F	2DF	E	80	14.036	13.926	145/8	61/4	121/8	5/8	1/8	25/8	21/8	1/4	38.0
E90-14M40	3D	E	90	15.790	15.680	—	61/4	14	5/8	1/8	25/8	21/8	1/4	39.0
E112-14M40	3D	E	112	19.650	19.540	—	61/4	1713/16	5/8	1/8	25/8	21/8	1/4	51.0
E144-14M40	3D	E	144	25.264	25.154	—	61/4	233/8	5/8	1/8	25/8	21/8	1/4	80.0

**T_{aper}
B_{ore}** **HTP** *Timing pulley*



QTL

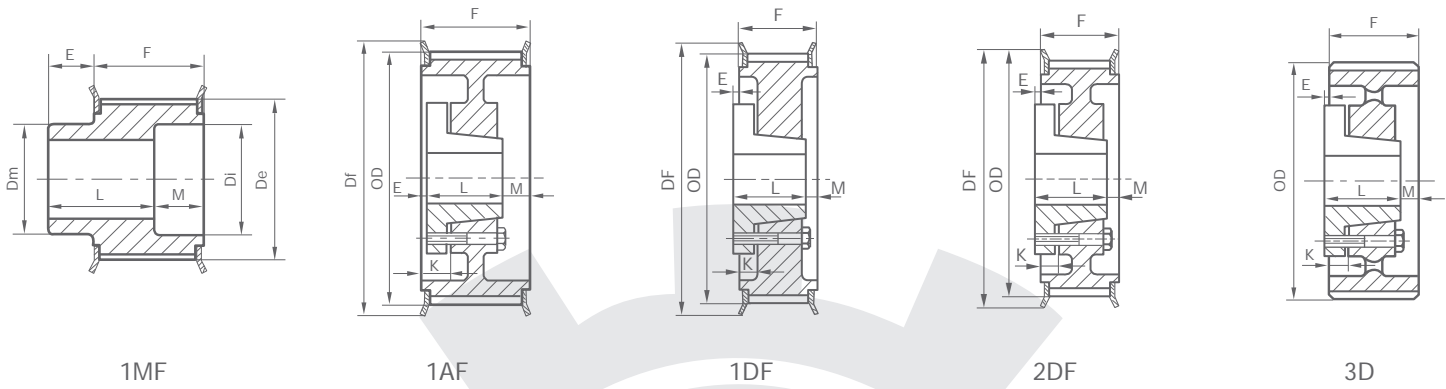


HTP 14M-55

SPCFCTN	TYPE	BUSH	Z	Diameter					Dimension					wt (lbs)
				Dp	De	Df	Dm	Di	E	M	L	F	K	
SK28-14M55F	1EF	SK	28	4.912	4.808	59/16	—	31/8	11/2	5/8	17/8	23/4	—	1.0
SK29-14M55F	1EF	SK	29	5.088	4.983	59/16	—	31/8	11/2	5/8	17/8	23/4	—	8.0
SK30-14M55F	1AF	SK	30	5.263	5.157	61/8	—	315/16	1/8	3/4	17/8	23/4	3/4	8.5
SK32-14M55F	1AF	SK	32	5.614	5.507	61/8	—	315/16	1/8	3/4	17/8	23/4	3/4	9.0
SK34-14M55F	1AF	SK	34	5.965	5.858	61/2	—	41/16	1/8	3/4	17/8	23/4	3/4	10.0
SF36-14M55F	1AF	SF	36	6.316	6.208	613/16	—	411/16	1/8	5/8	2	23/4	3/4	11.0
SF38-14M55F	1AF	SF	38	6.667	6.559	73/16	—	415/16	1/8	5/8	2	23/4	3/4	13.0
SF40-14M55F	1AF	SF	40	7.018	6.909	71/2	—	51/16	1/8	5/8	2	23/4	3/4	15.0
E44-14M55F	1DF	E	44	7.720	7.610	87/32	—	61/8	5/16	7/16	25/8	23/4	9/16	19.0
E48-14M55F	1DF	E	48	8.421	8.311	815/16	—	61/2	5/16	7/16	25/8	23/4	9/16	23.0
E52-14M55F	1DF	E	52	9.123	9.013	911/16	—	73/16	5/16	7/16	25/8	23/4	9/16	27.0
E56-14M55F	1DF	E	56	9.825	9.715	103/8	—	77/8	5/16	7/16	25/8	23/4	9/16	32.0
E60-14M55F	1DF	E	60	10.527	10.417	111/16	—	81/2	5/16	7/16	25/8	23/4	9/16	36.0
F64-14M55F	1CF	F	64	11.229	11.119	113/4	—	91/4	7/8	—	35/8	23/4	1/8	53.0
F68-14M55F	2DF	F	68	11.930	11.820	121/2	—	10	7/8	—	35/8	23/4	1/8	43.0
F72-14M55F	2CF	F	72	12.632	12.522	133/16	7	1011/16	7/8	—	35/8	23/4	1/8	49.0
F80-14M55F	2CF	F	80	14.036	13.926	145/8	7	121/8	7/8	—	35/8	23/4	1/8	54.0
F90-14M55	3D	F	90	15.790	15.680	—	7	14	7/8	—	35/8	23/4	1/8	55.0
F112-14M55	3D	F	112	19.650	19.540	—	7	177/8	7/8	—	35/8	23/4	1/8	71.0
F144-14M55	3D	F	144	25.264	25.154	—	7	233/8	7/8	—	35/8	23/4	1/8	106.0
F168-14M55	3D	F	168	29.475	29.365	—	7	279/16	7/8	—	35/8	23/4	1/8	124.0
F192-14M55	3D	F	192	33.686	33.576	—	7	3113/16	7/8	—	35/8	23/4	1/8	146.0
F216-14M55	3D	F	216	37.896	37.786	—	7	353/4	7/8	—	35/8	23/4	1/8	205.0

T_B^{aper} HTP *Timing pulley*

QTL



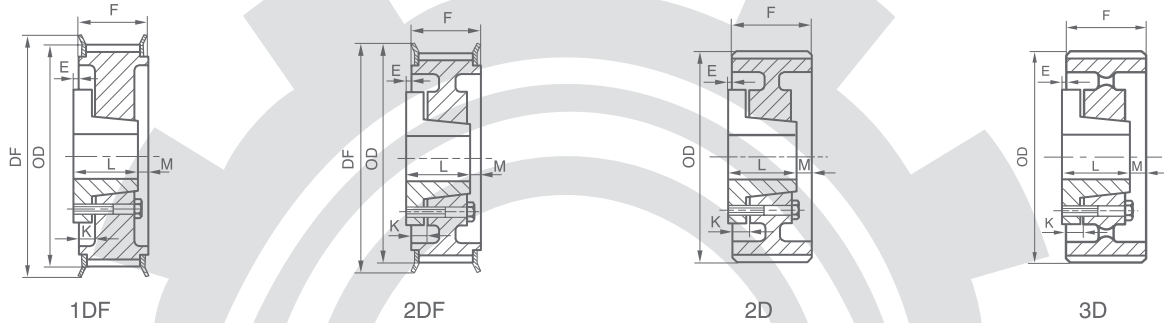
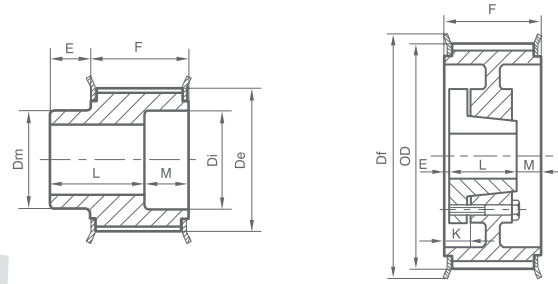
HTP 14M-85

SPCFCTN	TYPE	BUSH	Z	Diameter					Dimension					wt (lbs)
				Dp	De	Df	Dm	Di	R	M	L	F	K	
28-14M85F	1MF	—	28	4.912	4.808	59/16	311/4	31/8	1	1	4	4	—	18.0
29-14M85F	1MF	—	29	5.088	4.983	59/16	311/16	31/8	1	1	4	4	—	19.4
30-14M85F	1MF	—	30	5.263	5.157	61/8	49/14	329/32	1	1	4	4	—	20.0
32-14M85F	1MF	—	32	5.614	5.507	61/8	49/64	329/32	1	1	4	4	—	23.4
SK30-14M85F	1AF	SK	30	5.293	5.157	61/8	—	315/16	3/4	13/8	17/8	4	13/8	10
SK32-14M85F	1AF	SK	32	5.614	5.507	61/8	—	315/16	3/4	13/8	17/8	4	13/8	13
SK34-14M85F	1AF	SK	34	5.965	5.858	61/2	—	41/16	3/4	13/8	17/8	4	13/8	14
SF36-14M85F	1AF	SF	36	6.316	6.206	613/16	—	411/16	3/4	11/4	2	4	13/8	15
SF38-14M85F	1AF	SF	38	6.667	6.557	73/16	—	415/16	3/4	11/4	2	4	13/8	18
SF40-14M85F	1AF	SF	40	7.018	6.909	71/2	—	51/16	3/4	11/4	2	4	13/8	20
E44-14M85F	1AF	E	44	7.720	7.610	87/32	—	61/8	5/16	11/16	25/8	4	13/16	25
E48-14M85F	1AF	E	48	8.421	8.311	815/16	—	61/2	5/16	11/16	25/8	4	13/16	29
E52-14M85F	1AF	E	52	9.123	9.103	911/16	—	73/6	5/16	11/16	25/8	4	13/16	32
F56-14M85F	1DF	F	56	9.825	9.715	103/8	—	77/8	1/4	5/8	35/8	4	3/4	46
F60-14M85F	1DF	F	60	10.527	10.417	111/16	—	81/2	1/4	5/8	35/8	4	3/4	51
F64-14M85F	1DF	F	64	11.229	11.119	113/4	—	91/4	1/4	5/8	35/8	4	3/4	62
F68-14M85F	2DF	F	68	11.930	11.820	121/2	7	10	1/4	5/8	35/8	4	3/4	51
F72-14M85F	2DF	F	72	12.632	12.522	133/16	7	1011/16	1/4	5/8	35/8	4	3/4	60
F80-14M85F	2DF	F	80	14.036	13.926	145/8	7	121/8	1/4	5/8	35/8	4	3/4	66
F90-14M85	3D	F	90	15.790	15.680	—	7	14	1/4	5/8	35/8	4	3/4	69
F112-14M85	3D	F	112	19.650	19.540	—	7	177/8	1/4	5/8	35/8	4	3/4	89
F144-14M85	3D	F	144	25.264	25.154	—	7	233/8	1/4	5/8	35/8	4	3/4	127
F168-14M85	3D	F	168	29.475	29.365	—	7	279/16	1/4	5/8	35/8	4	3/4	148
F192-14M85	3D	F	192	33.686	33.576	—	7	3113/16	1/4	5/8	35/8	4	3/4	177
F216-14M85	3D	F	216	37.896	37.786	—	7	353/4	1/4	5/8	35/8	4	3/4	25

T_{aper} **B_{ore}** **HTP** *Timing pulley*



QTL

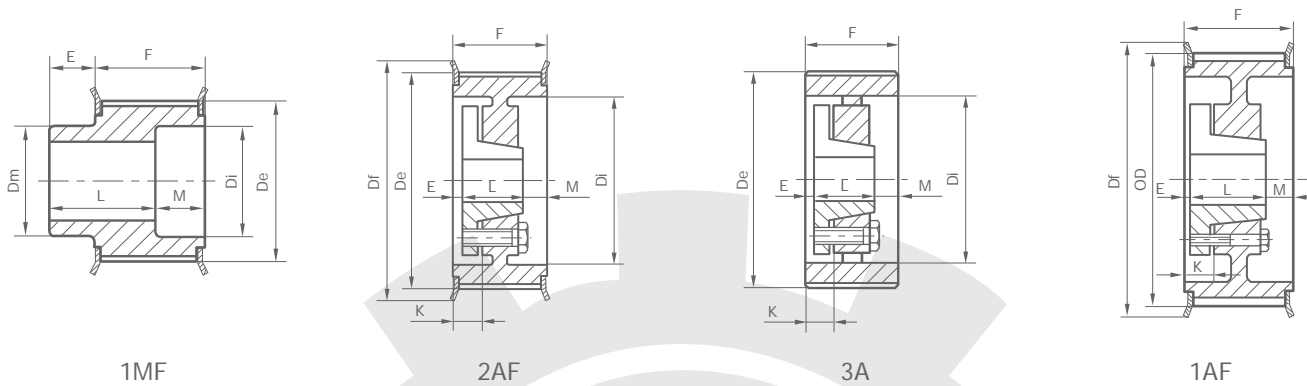


HTP 14M-115

SPCFCTN	TYPE	BUSH	Z	Diameter					Dimension					wt (lbs)
				Dp	De	Df	Dm	Di	E	M	L	F	K	
28-14M115F	1MF	—	28	4.912	4.808	59/16	311/16	31/8	11/4	11/2	5	51/4	—	23.2
29-14M115F	1MF	—	29	5.088	4.983	59/16	311/16	31/8	11/4	11/2	5	51/4	—	24.8
30-14M115F	1MF	—	30	5.263	5.157	61/8	49/64	320/32	11/4	11/2	5	51/4	—	264
32-14M115F	1MF	—	32	5.614	5.567	61/8	49/64	329/32	11/4	11/2	5	51/4	—	30.8
34-14M115F	1MF	—	34	5.965	5.858	61/2	431/64	41/16	11/4	11/2	5	51/4	—	35.2
36-14M115F	1MF	—	36	6.316	6.208	613/16	47/8	411/16	11/4	11/2	5	51/4	—	38.8
38-14M115F	1MF	—	38	6.667	6.559	73/16	511/64	415/16	11/4	11/2	5	51/4	—	44.4
40-14M115F	1MF	—	40	7.018	6.909	71/2	59/16	51/16	11/4	11/2	5	51/4	—	50
SK30-14M115F	1AF	SK	30	5.263	5.157	61/8	—	315/16	13/8	2	17/8	51/4	2	12
SK32-14M115F	1AF	SK	32	5.614	5.507	61/8	—	315/16	13/8	2	17/8	51/4	2	16
SK34-14M115F	1AF	SK	34	5.965	5.858	61/2	—	41/16	13/8	2	17/8	51/4	2	17
SF36-14M115F	1AF	SF	36	6.316	6.208	613/16	—	411/16	13/8	17/8	2	51/4	2	18
SF38-14M115F	1AF	SF	38	6.667	6.559	73/16	—	415/16	13/8	17/8	2	51/4	2	22
SF40-14M115F	1AF	SF	40	7.018	6.909	71/2	—	51/16	13/8	17/8	2	51/4	2	25
E44-14M115F	1AF	E	44	7.720	7.610	87/32	—	61/8	15/16	111/16	25/8	51/4	113/16	30
E48-14M115F	1AF	E	48	8.421	8.311	815/16	—	61/2	15/16	111/16	25/8	51/4	113/16	35
F52-14M115F	1AF	F	52	9.123	9.013	911/16	—	73/16	3/8	11/4	35/8	51/4	13/8	42
F56-14M115F	1AF	F	56	9.825	9.715	103/8	—	77/8	3/8	11/4	35/8	51/4	13/8	53
F60-14M115F	1AF	F	60	10.527	10.417	111/16	—	81/2	3/8	11/4	35/8	51/4	13/8	60
J64-14M115F	1DF	J	64	11.229	11.119	113/4	—	91/4	3/16	15/16	41/2	51/4	1	76
J68-14M115F	1DF	J	68	11.930	11.820	121/2	—	10	3/16	15/16	41/2	51/4	1	83
J72-14M115F	1DF	J	72	12.632	12.522	133/16	—	1011/16	3/16	15/16	41/2	51/4	1	99
J80-14M115F	2DF	J	80	14.036	13.926	145/8	73/4	121/8	3/16	15/16	41/2	51/4	1	87
J90-14M115	2D	J	90	15.790	15.680	—	73/4	14	3/16	15/16	41/2	51/4	1	95
J112-14M115	3D	J	112	19.650	19.540	—	73/4	177/8	3/16	15/16	41/2	51/4	1	114
J144-14M115	3D	J	144	25.264	25.154	—	73/4	233/8	3/16	15/16	41/2	51/4	1	166
J168-14M115	3D	J	168	29.475	29.365	—	73/4	279/16	3/16	15/16	41/2	51/4	1	198
J192-14M115	3D	J	192	33.686	33.576	—	73/4	3113/16	3/16	15/16	41/2	51/4	1	232
J216-14M115	3D	J	216	37.896	37.786	—	73/4	353/4	3/16	15/16	41/2	51/4	1	307

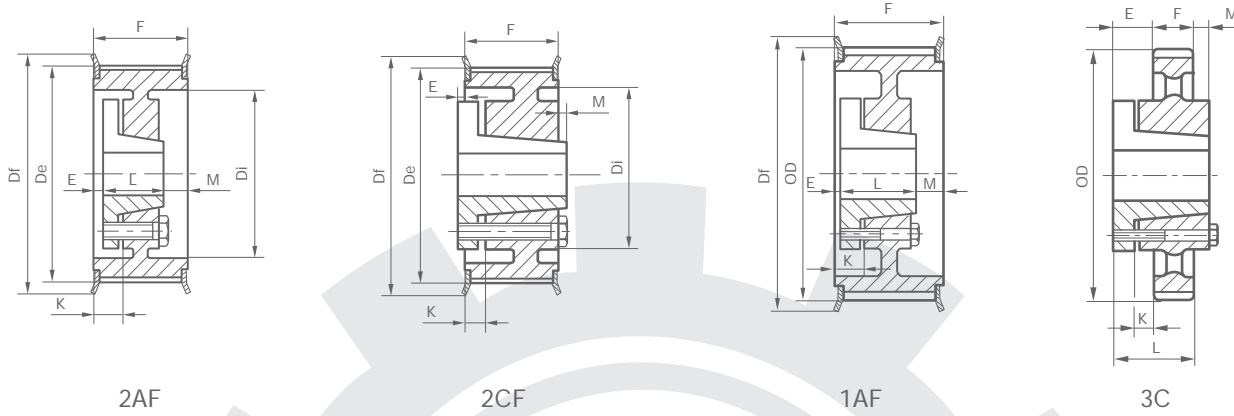
T_B ^{aper} _{ore} **HTP** *Timing pulley*

QTL



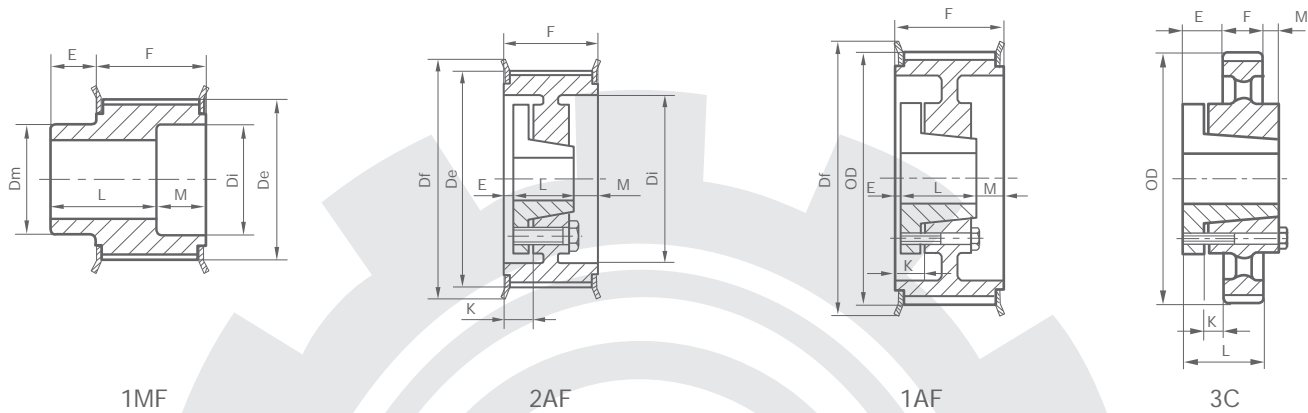
HTP 14M-170

SPCFCTN	TYPE	BUSH	Z	Diameter					Dimension					wt (lbs)
				Dp	De	Df	Dm	Di	E	M	L	F	K	
36-14M170F	1MF	—	36	6.316	6.208	6 ¹³ / ₁₆	4 ⁷ / ₈	4 ¹¹ / ₁₆	1 ¹ / ₄	2 ⁵ / ₈	6	7 ³ / ₈	—	47
38-14M170F	1MF	—	38	6.667	6.559	7 ³ / ₁₆	5 ¹¹ / ₆₄	4 ¹⁵ / ₁₆	1 ¹ / ₄	2 ⁵ / ₈	6	7 ³ / ₈	—	55.7
40-14M170F	1MF	—	40	7.018	6.909	7 ¹ / ₂	5 ⁹ / ₁₆	5 ¹ / ₁₆	1 ¹ / ₄	2 ⁵ / ₈	6	7 ³ / ₈	—	63.7
44-14M170F	1MF	—	44	7.720	7.610	8 ⁷ / ₃₂	6 ⁴¹ / ₆₄	6 ¹ / ₈	1 ¹ / ₄	2 ⁵ / ₈	6	7 ³ / ₈	—	75.7
48-14M170F	1MF	—	48	8.421	8.311	8 ¹⁵ / ₁₆	6 ¹⁵ / ₁₆	6 ¹ / ₂	1 ¹ / ₄	2 ⁵ / ₈	6	7 ³ / ₈	—	94
E44-14M170F	1AF	E	44	7.720	7.610	8 ⁷ / ₃₂	—	6 ¹ / ₈	2	2 ³ / ₄	2 ⁵ / ₈	7 ³ / ₈	2 ⁷ / ₈	38
E48-14M170F	1AF	E	48	8.421	8.311	8 ¹⁵ / ₁₆	—	6 ¹ / ₂	2	2 ³ / ₄	2 ⁵ / ₈	7 ³ / ₈	2 ⁷ / ₁₆	45
F52-14M170F	1AF	F	52	9.123	9.013	9 ¹¹ / ₁₆	—	7 ³ / ₁₆	1 ⁷ / ₁₆	2 ⁵ / ₁₆	3 ⁵ / ₈	7 ³ / ₈	2 ⁷ / ₁₆	52
F56-14M170F	1AF	F	56	9.825	9.715	10 ³ / ₈	—	7 ⁷ / ₈	1 ⁷ / ₁₆	2 ⁵ / ₁₆	3 ⁵ / ₈	7 ³ / ₈	2 ¹ / ₈	65
J60-14M170F	1AF	J	60	10.527	10.417	11 ¹ / ₁₆	—	8 ¹ / ₂	1 ⁵ / ₁₆	1 ¹⁵ / ₁₆	4 ¹ / ₂	7 ³ / ₈	2 ¹ / ₈	75
J64-14M170F	1AF	J	64	11.229	11.119	11 ³ / ₄	—	9 ¹ / ₄	1 ⁵ / ₁₆	1 ¹⁵ / ₁₆	4 ¹ / ₂	7 ³ / ₈	2 ¹ / ₈	91
J68-14M170F	1AF	J	68	11.930	11.820	11 ² / ₂	—	10	1 ⁵ / ₁₆	1 ¹⁵ / ₁₆	4 ¹ / ₂	7 ³ / ₈	2 ¹ / ₈	96
J72-14M170F	1AF	J	72	12.632	12.522	13 ³ / ₁₆	—	10 ¹¹ / ₁₆	1 ⁵ / ₁₆	1 ¹⁵ / ₁₆	4 ¹ / ₂	7 ³ / ₈	2 ¹ / ₈	115
J80-14M170F	2AF	J	80	14.036	13.926	14 ⁵ / ₈	7 ³ / ₄	12 ¹ / ₈	1 ⁵ / ₁₆	1 ¹⁵ / ₁₆	4 ¹ / ₂	7 ³ / ₈	2 ¹ / ₈	117
J90-14M170	2A	J	90	15.790	15.680	—	7 ³ / ₄	14	1 ⁵ / ₁₆	1 ¹⁵ / ₁₆	4 ¹ / ₂	7 ³ / ₈	2 ¹ / ₈	126
M112-14M170	3A	M	112	19.650	19.540	—	9 ¹ / ₂	17 ⁷ / ₈	—	5 ⁸ / ₈	6 ³ / ₄	7 ³ / ₈	1 ⁷ / ₁₆	175
M144-14M170	3A	M	144	25.264	25.154	—	9 ¹ / ₂	23 ³ / ₈	—	5 ⁸ / ₈	6 ³ / ₄	7 ³ / ₈	1 ⁷ / ₁₆	240
M168-14M170	3A	M	168	29.475	29.365	—	9 ¹ / ₂	27 ⁹ / ₁₆	—	2 ⁸ / ₅	3 ³ / ₄	7 ³ / ₈	1 ⁷ / ₁₆	278
M192-14M170	3A	M	192	33.686	33.576	—	9 ¹ / ₂	31 ¹³ / ₁₆	—	5 ⁸ / ₈	6 ³ / ₄	7 ³ / ₈	1 ⁷ / ₁₆	322
M216-14M170	3A	M	216	37.896	37.786	—	9 ¹ / ₂	35 ³ / ₄	—	5 ⁸ / ₈	6 ³ / ₄	7 ³ / ₈	1 ⁷ / ₁₆	39



HTP 20M-115

SPCFCTN	TYPE	BUSH	Z	Diameter					Dimension					wt (lbs)
				Dp	De	Df	Dm	Di	E	M	L	F	K	
F34-20M115F	1AF	F	34	8.522	8.352	97/16	—	67/8	7/16	15/16	35/8	53/8	17/16	32
F36-20M115F	1AF	F	36	9.023	8.853	97/8	—	7	7/16	15/16	35/8	53/8	17/16	40
F38-20M115F	1AF	F	38	9.524	9.354	107/16	—	79/16	7/16	15/16	35/8	53/8	17/16	45
F40-20M115F	1AF	F	40	10.026	9.856	1013/16	—	8	7/16	15/16	35/8	53/8	17/16	51
F44-20M115F	1AF	F	44	11.028	10.858	1113/16	—	815/16	7/16	15/16	35/8	53/8	17/16	63
J48-20M115F	1AF	J	48	12.031	11.861	1213/16	—	915/16	—	7/8	41/2	53/8	13/16	84
J52-20M115F	2AF	J	52	13.033	12.863	133/4	73/4	107/8	—	7/8	41/2	53/8	13/16	90
J56-20M115F	2AF	J	56	14.036	13.866	143/4	73/4	117/8	—	7/8	41/2	53/8	13/16	94
J60-20M115F	2AF	J	60	15.038	14.868	1515/16	73/4	131/16	—	7/8	41/2	53/8	13/16	97
J64-20M115F	2AF	J	64	16.041	15.871	1615/16	73/4	141/16	—	7/8	41/2	53/8	13/16	104
J68-20M115F	2AF	J	68	17.044	16.874	1715/16	73/4	15	—	7/8	41/2	53/8	13/16	110
J72-20M115F	2AF	J	72	18.046	17.876	187/8	73/4	16	—	7/8	41/2	53/8	13/16	119
M80-20M115F	2CF	M	80	20.051	19.881	207/8	91/2	18	11/4	1/8	63/4	53/8	3/16	182
M90-20M115F	2CF	M	90	22.558	22.388	237/16	91/2	209/16	11/4	1/8	63/4	53/8	3/16	212
M112-20M115	3C	M	112	28.072	27.902	—	91/2	263/8	11/4	1/8	63/4	53/8	3/16	239
N144-20M115	3C	N	144	36.092	35.922	—	101/2	343/8	13/4	1	81/8	53/8	—	341
N168-20M115	3C	N	168	42.108	41.938	—	101/2	403/8	13/4	1	81/8	53/8	—	417
N192-20M115	3C	N	192	48.123	47.953	—	101/2	461/4	13/4	1	81/8	53/8	—	550
N216-20M115	3C	N	216	54.138	53.968	—	101/2	521/4	13/4	1	81/8	53/8	—	566



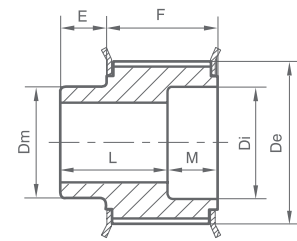
HTP 20M-170

SPCFCTN	TYPE	BUSH	Z	Diameter					Dimension					wt (lbs)
				Dp	De	Df	Dm	Di	E	M	L	F	K	
34-20M170F	1MF	—	34	8.522	8.352	97/16	61/2	61/2	11/4	21/4	61/2	71/2	—	82
36-20M170F	1MF	—	36	9.023	8.853	97/8	7	7	11/4	21/4	61/2	71/2	—	92
J38-20M170F	1AF	J	38	9.524	9.354	107/16	—	79/16	1	2	41/2	71/2	23/16	56
J40-20M170F	1AF	J	40	10.026	9.856	1013/16	—	8	1	2	41/2	71/2	23/16	64
J44-20M170F	1AF	J	44	11.028	10.858	1113/16	—	815/16	1	2	41/2	71/2	23/16	81
M48-20M170F	1AF	M	48	12.031	11.861	1213/16	—	915/16	1/16	11/16	63/4	71/2	11/2	113
M52-20M170F	1AF	M	53	13.033	12.863	133/4	—	107/8	1/16	11/16	63/4	71/2	11/2	141
M56-20M170F	1AF	M	56	14.036	13.866	143/4	—	117/8	1/16	11/16	63/4	71/2	11/2	170
M60-20M170F	1AF	M	60	15.038	14.868	1415/16	—	131/16	1/16	11/16	63/4	71/2	11/2	199
M64-20M170F	2AF	M	64	16.041	15.871	1615/16	91/2	141/16	1/16	11/16	63/4	71/2	11/2	175
M68-20M170F	2AF	M	68	17.044	16.874	1715/16	91/2	15	1/16	11/16	63/4	71/2	11/2	187
M72-20M170F	2AF	M	72	18.046	17.876	187/8	91/2	16	1/16	11/16	63/4	71/2	11/2	176
M80-20M170F	2AF	M	80	20.051	19.881	207/8	91/2	18	1/16	11/16	63/4	71/2	11/2	214
M90-20M170F	2AF	M	90	22.558	22.388	237/16	91/2	209/16	1/16	11/16	63/4	71/2	11/2	250
N112-20M170	3C	N	112	28.072	27.902	—	101/2	261/4	1/2	1/8	81/8	71/2	11/4	309
N144-20M170	3C	N	144	36.092	35.922	—	101/2	341/4	1/2	1/8	81/8	71/2	11/4	426
P168-20M170	3C	P	168	42.108	41.938	—	13	401/4	15/16	15/16	93/8	71/2	11/16	571
P192-20M170	3C	P	192	48.123	47.953	—	13	461/4	15/16	15/16	93/8	71/2	11/16	652
P216-20M170	3C	P	216	54.138	53.968	—	13	521/8	15/16	15/16	93/8	71/2	11/16	813

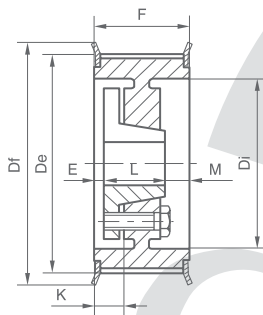
T_B^{aper} **HTP** *Timing pulley*



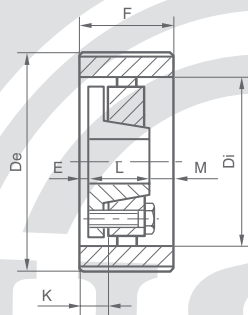
QTL



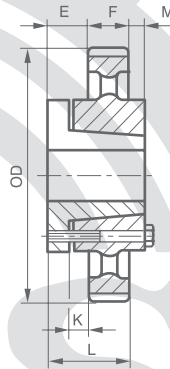
1MF



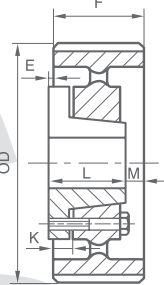
2AF



3A



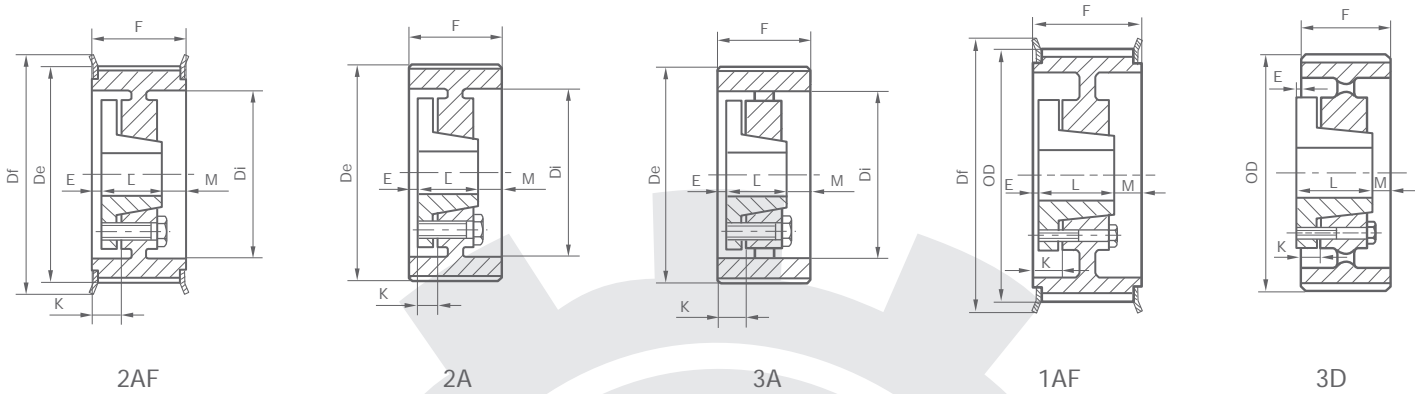
3C



3D

HTP 20M-230

SPCFCTN	TYPE	BUSH	Z	Diameter					Dimension					wt (lbs)
				Dp	De	Df	Dm	Di	E	M	L	F	K	
-20M230F	1MF	—	38	9.524	9.354	10 ⁷ / ₁₆	7 ¹ / ₂	7 ⁹ / ₁₆	1 ¹ / ₄	3 ⁵ / ₈	7 ¹ / ₂	9 ⁷ / ₈	—	120
-20M230F	1MF	—	40	10.026	9.856	10 ¹³ / ₁₆	8	8	1 ¹ / ₄	2 ⁵ / ₈	8 ¹ / ₂	9 ⁷ / ₈	—	147
-20M230F	1MF	—	44	11.028	10.858	11 ¹³ / ₁₆	8 ¹ / ₄	8 ¹⁵ / ₁₆	1 ¹ / ₄	2 ⁵ / ₈	8 ¹ / ₂	9 ⁷ / ₈	—	180
48-20M230F	1AF	M	48	12.031	11.861	12 ¹³ / ₁₆	—	9 ¹⁵ / ₁₆	9 ¹ / ₁₆	2 ⁹ / ₁₆	6 ³ / ₄	9 ⁷ / ₈	2	129
52-20M230F	1AF	M	52	13.033	12.863	13 ³ / ₄	—	10 ⁷ / ₈	9 ¹ / ₁₆	2 ⁹ / ₁₆	6 ³ / ₄	9 ⁷ / ₈	2	158
56-20M230F	1AF	M	56	14.036	13.866	14 ³ / ₄	—	11 ⁷ / ₈	9 ¹ / ₁₆	2 ⁹ / ₁₆	6 ³ / ₄	9 ⁷ / ₈	2	189
60-20M230F	1AF	M	60	15.038	14.868	15 ¹⁵ / ₁₆	—	13 ¹ / ₁₆	9 ¹ / ₁₆	2 ⁹ / ₁₆	6 ³ / ₄	9 ⁷ / ₈	2	298
64-20M230F	2AF	M	64	16.041	15.871	16 ¹⁵ / ₁₆	9 ¹ / ₂	14 ¹ / ₆	9 ¹ / ₁₆	2 ⁹ / ₁₆	6 ³ / ₄	9 ⁷ / ₈	2	2978
68-20M230F	1AF	N	68	17.044	16.874	14 ¹⁵ / ₁₆	10 ¹ / ₂	15	1 ¹ / ₁₆	11 ¹ / ₁₆	8 ¹ / ₈	9 ⁷ / ₈	1 ¹³ / ₁₆	324
72-20M230F	2AF	N	72	18.046	17.876	18 ⁷ / ₈	10 ¹ / ₂	16	1 ¹ / ₁₆	11 ¹ / ₁₆	8 ¹ / ₈	9 ⁷ / ₈	1 ¹³ / ₁₆	287
80-20M230F	2AF	N	80	20.051	19.881	20 ⁷ / ₈	10 ¹ / ₂	18	1 ¹ / ₁₆	11 ¹ / ₁₆	8 ¹ / ₈	9 ⁷ / ₈	1 ¹³ / ₁₆	280
90-20M230F	2AF	N	90	22.558	22.388	23 ⁷ / ₁₆	10 ¹ / ₂	20 ⁹ / ₁₆	1 ¹ / ₁₆	11 ¹ / ₁₆	8 ¹ / ₈	9 ² / ₈	1 ¹³ / ₁₆	319
12-20M230	3A	N	112	28.072	27.902	—	10 ¹ / ₂	26 ¹ / ₄	1 ¹ / ₁₆	11 ¹ / ₁₆	8 ¹ / ₈	9 ¹ / ₈	1 ¹³ / ₁₆	357
44-20M230	3D	P	144	36.092	35.922	—	13	34 ¹ / ₄	11 ¹ / ₁₆	13 ¹ / ₁₆	9 ³ / ₈	9 ⁷ / ₈	15 ¹ / ₁₆	535
68-20M230	3D	P	168	42.108	41.938	—	13	40 ¹ / ₄	11 ¹ / ₁₆	13 ¹ / ₁₆	9 ³ / ₈	9 ⁷ / ₈	15 ¹ / ₁₆	654
192-20M230	3C	W	192	48.123	47.953	—	16	46	3 ¹ / ₄	3 ¹ / ₄	11 ³ / ₈	9 ⁷ / ₈	11 ¹ / ₂	935
216-20M230	3C	W	216	54.138	53.968	—	16	52	3 ¹ / ₄	3 ¹ / ₄	11 ³ / ₈	9 ⁷ / ₈	11 ¹ / ₂	1062



HTP 20M-290

SPCFCTN	TYPE	BUSH	Z	Diameter					Dimension					wt (lbs)
				Dp	De	Df	Dm	Di	E	M	L	F	K	
N52-20M290F	1AF	N	52	13.033	12.863	13 ³ / ₄	—	10 ⁷ / ₈	3/4	2 ³ / ₈	8 ¹ / ₈	12 ¹ / ₄	2 ¹ / ₂	187
N56-20M290F	1AF	N	56	14.036	13.866	14 ³ / ₄	—	11 ⁷ / ₈	3/4	2 ³ / ₈	8 ¹ / ₈	12 ¹ / ₄	2 ¹ / ₂	223
N60-20M290F	1AF	N	60	15.038	14.868	15 ¹⁵ / ₁₆	—	13 ¹ / ₁₆	3/4	2 ³ / ₈	8 ¹ / ₈	12 ¹ / ₄	2 ¹ / ₂	257
N64-20M290F	1AF	N	64	16.041	15.871	16 ¹⁵ / ₁₆	—	14 ¹ / ₁₆	3/4	2 ³ / ₈	8 ¹ / ₈	12 ¹ / ₄	2 ¹ / ₂	299
N68-20M290F	1AF	N	68	17.044	16.874	17 ¹⁵ / ₁₆	—	15	3/4	2 ³ / ₈	8 ¹ / ₈	12 ¹ / ₄	2 ¹ / ₂	346
N72-20M290F	2AF	N	72	18.046	17.876	18 ⁷ / ₈	10 ¹ / ₂	16	3/4	2 ³ / ₈	8 ¹ / ₈	12 ¹ / ₄	2 ¹ / ₂	311
N80-20M290F	2AF	N	80	20.051	19.881	20 ⁷ / ₈	10 ¹ / ₂	18	3/4	2 ³ / ₈	8 ¹ / ₈	12 ¹ / ₄	2 ¹ / ₂	314
N90-20M290F	2AF	N	90	22.558	22.388	23 ⁷ / ₁₆	10 ¹ / ₂	20 ⁹ / ₁₆	3/4	2 ³ / ₈	8 ¹ / ₈	12 ¹ / ₄	2 ¹ / ₂	359
P112-20M290	2A	P	112	28.072	28.072	—	13	26 ¹ / ₈	1/2	2 ³ / ₈	9 ³ / ₈	12 ¹ / ₄	2 ¹ / ₂	359
P144-20M290	3A	P	144	36.093	35.922	—	13	34	1/2	2 ³ / ₈	9 ³ / ₈	12 ¹ / ₄	2 ¹ / ₂	637
W168-20M290	3A	W	168	42.108	41.98	—	16	40	7/16	7/16	11 ³ / ₈	12 ¹ / ₄	2 ¹¹ / ₁₆	891
W192-20M290	3A	W	192	48.123	47.953	—	16	46	7/16	7/16	11 ³ / ₈	12 ¹ / ₄	2 ¹¹ / ₁₆	1061
W216-20M290	3A	W	216	54.138	53.968	—	16	52	7/16	7/16	11 ³ / ₈	12 ¹ / ₄	2 ¹¹ / ₁₆	1239

HTP 20M-340

SPCFCTN	TYPE	BUSH	Z	Diameter					Dimension					wt (lbs)
				Dp	De	Df	Dm	Di	E	M	L	F	K	
N52-20M340F	1AF	N	52	13.032	12.863	13 ³ / ₄	—	10 ⁷ / ₈	3/4	5 ³ / ₈	8 ¹ / ₈	14 ¹ / ₄	2 ¹ / ₂	201
N56-20M340F	1AF	N	56	14.036	13.866	14 ³ / ₄	—	11 ⁷ / ₈	3/4	5 ³ / ₈	8 ¹ / ₈	14 ¹ / ₄	2 ¹ / ₂	239
N60-20M340F	1AF	N	60	15.038	14.868	15 ¹⁵ / ₁₆	—	13 ¹ / ₁₆	3/4	5 ³ / ₈	8 ¹ / ₈	14 ¹ / ₄	2 ¹ / ₂	273
N64-20M340F	1AF	N	64	16.041	18.871	16 ¹⁵ / ₁₆	—	14 ¹ / ₁₆	3/4	5 ³ / ₈	8 ¹ / ₈	14 ¹ / ₄	2 ¹ / ₂	316
N68-20M340F	1AF	N	68	17.044	16.874	17 ¹⁵ / ₁₆	—	15	3/4	5 ³ / ₈	8 ¹ / ₈	14 ¹ / ₄	2 ¹ / ₂	364
N72-20M340F	2AF	N	72	18.046	17.876	18 ² / ₈	10 ¹ / ₂	16	3/4	5 ³ / ₈	8 ¹ / ₈	14 ¹ / ₄	2 ¹ / ₂	330
P80-20M340F	2AF	P	80	20.051	19.881	20 ⁷ / ₈	13	18	1 ¹ / ₂	3 ³ / ₈	9 ³ / ₈	14 ¹ / ₄	3 ¹ / ₂	406
P90-20M340F	2AF	P	90	22.558	22.388	23 ⁷ / ₁₆	13	20 ⁹ / ₁₆	1 ¹ / ₂	3 ³ / ₈	9 ³ / ₈	14 ¹ / ₄	3 ¹ / ₂	426
P112-20M340	2A	P	112	28.072	27.902	—	13	26 ¹ / ₈	1 ¹ / ₂	3 ³ / ₈	9 ³ / ₈	14 ¹ / ₄	3 ¹ / ₂	543
W144-20M340	3A	W	144	36.092	35.922	—	16	34	3/8	2 ⁵ / ₈	11 ³ / ₈	14 ¹ / ₄	2 ⁵ / ₈	814
W168-20M340	3A	W	168	42.108	41.938	—	16	40	3/8	2 ⁵ / ₈	11 ³ / ₈	14 ¹ / ₄	2 ⁵ / ₈	947
S192-20M340	3D	S	192	48.123	47.953	—	17 ³ / ₄	46	2 ¹ / ₂	1 ¹ / ₈	15 ³ / ₄	14 ¹ / ₄	1 ¹ / ₈	1368
S216-20M340	3D	S	216	54.138	53.968	—	17 ³ / ₄	52	2 ¹ / ₂	1 ¹ / ₈	15 ³ / ₄	14 ¹ / ₄	1 ¹ / ₈	1555